

DH-PFA154

Pole Mount Bracket



Features

- Pole mount bracket
- Material: SECC & SUS304
- Aesthetic design

Technical Specification

Model DH-PFA154

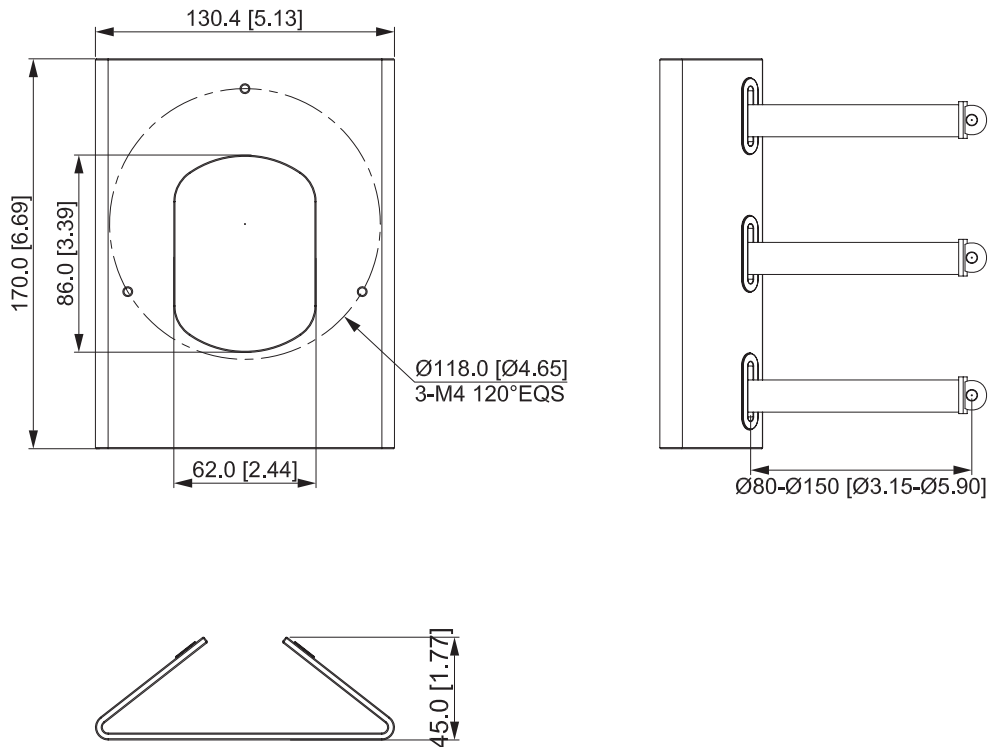
General

Material	SECC & SUS304
Dimension(WxHxD)	130.4mmx170mmx45mm (5.13"x6.69"x1.77")
Mast Diameter	φ80~150mm(φ3.15"~5.91")
Pipe Thread	N/A
Operating Temperature	-40 °C ~ +60 °C (-40 °F ~ +140 °F)
Humidity	0~90% RH
Load Bearing	7kg(15.4lb)
Weight	0.85kg(1.87lb)
Applicable Model	Please see "Accessory Selector" on www.dahuasecurity.com

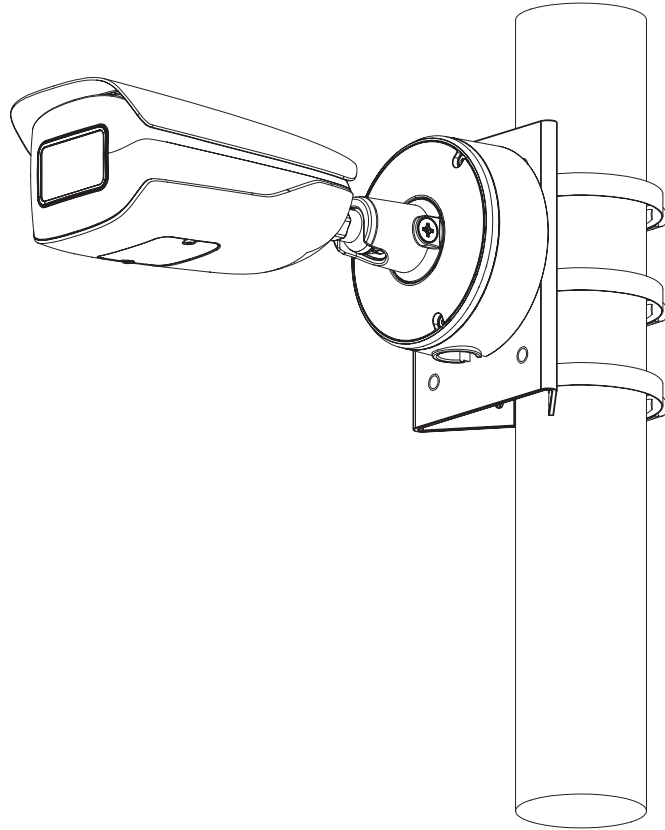
Ordering Information

Type	Part Number	Description
Camera Mount Series	DH-PFA154	Pole mount bracket
	PFA154	Pole mount bracket

Dimension(mm/inch)



Application



Package Information

- Pole mount bracket *1
- M4 screw *3
- Wrench *1
- 80~150mm metal hoop: 3