

DH-SD6C3425XB-HNR-A-PV1

4 MP 25x Starlight IR WizSense Network PTZ Camera



Wiz Sense

- 1/2.8" 4Megapixel STARVIS™ CMOS
- Powerful 25x optical zoom
- Starlight technology
- IR distance up to 150 m
- Perimeter protection
- Face detection
- Metadata
- Full-color illuminator; red and blue warning light
- IP66
- Smart dual illuminators (Recommended to use within 50 m)



Launched by Dahua Technology, Dahua WizMind is a full portfolio of solutions composed of project-oriented products including IPC, NVR, PTZ, XVR, Thermal and software platform which adopts industry-leading deep learning algorithms. Focusing on customer's requirements, WizMind provides precise, reliable and comprehensive AI solutions for industry verticals.

System Overview

Dahua PTZ WizMind network camera adopts advanced CNN deep learning algorithms to support face recognition with high accuracy. This camera possess wide monitor range, PFA algorithm that can always present a clear, focused image while zooming, and smart wiper technology that supported by RainSensor.

Functions

Starlight Technology

For challenging low-light applications, Dahua's Starlight Ultra-low Light Technology offers best-in-class light sensitivity, capturing color details in low light down to 0.005 Lux. The camera uses a set of optical features to balance light throughout the scene, resulting in clear images in dark environments.

Perimeter Protection

Automatically filters out false alarms caused by animals, rustling leaves, bright lights, etc. Enables system to act secondary recognition for the targets. Improves alarm accuracy.

Smart Capture

Supports human face, human body, motor vehicle and non-motor vehicle image capture. It also supports optimization, taking snapshots and generating optimal snapshot reports.

Face Detection

6 attributes and 8 expressions: Gender, age, glasses, expressions (anger, sadness, disgust, fear, surprise, calm, happiness and confusion), mask, beard. Face cutout setting: Face, single inch photo. Three snapshot methods: Real-time snapshot, priority snapshot, and quality priority.

PFA Technology

PFA technology has innovatively introduced new methods of judgment to ensure the accuracy and predictability of the direction of subject distance adjustment. The result is a set of advanced focusing algorithms. PFA ensures clarity of the image throughout the process of zooming and shortens focus time. The realization of PFA technology substantially improves user experience and increases product value.

Sound and Light Alarm

The camera supports sound and light alarm. When the alarm is triggered, the camera links sound alarm and red and blue light warning, to realize the deterrence and effective intervention. It also supports customized voice importing.

Technical Specification

Camera

Image Sensor	1/2.8" CMOS
Pixel	4 MP
Max. Resolution	2560 (H) × 1440 (V)
Electronic Shutter Speed	1/1 s–1/30,000 s
ROM	4 GB
RAM	1 GB
Min. Illumination	Color: 0.005 lux@F1.6 B/W: 0.0005 lux@F1.6 0 lux (IR light on)
Illumination Distance	150 m (492.13 ft) (IR) 50 m (164.04 ft) (white light)
Illuminator Number	2 (IR light) 2 (dual light fusion)

Lens

Focal Length	4.8 mm–120 mm			
Max. Aperture	F1.6–F3.5			
Field of View	H: 55.8°–2.9°; V: 31.6°–1.6° ; D: 63.7°–3.3°			
Optical Zoom	25×			
Focus Control	Auto; semi-auto; manual			
Close Focus Distance	0.8 m–5.0 m (2.62 ft–16.40 ft)			
Iris Control	Auto; manual			
DORI Distance	Detect	Observe	Recognize	Identify
	1,655 m (5429.79 ft)	653 m (2142.39 ft)	331 m (1085.96 ft)	165 m (541.34 ft)

PTZ

Pan/Tilt Range	Pan: 0° to 360° endless Tilt: –20° to +90°, auto flip 180°
Manual Control Speed	Pan: 0.1°–160°/s; Tilt: 0.1°–60°/s"
Preset Speed	Pan: 240°/s; Tilt: 150°/s
Preset	300
Tour	8 (up to 32 presets per tour)
Pattern	5
Scan	5
Power-off Memory	Yes
Idle Motion	Preset; Tour; Pattern; Scanning
Protocol	DH-SD Pelco-P/D (auto recognition)

Intelligence

Video Metadata	Motor vehicle, non-motor vehicle, face, human body detection; optimization; capturing pictures; uploading high-quality face snapshots
IVS (Perimeter Protection)	Tripwire; intrusion; climbing fences; loitering detection; abandoned/missing object; fast moving; parking detection; people gathering; vehicle/human alarm classification; linkage tracking

Face Detection	Yes
SMD	Yes
Auto Tracking	Yes

Video

Video Compression	Smart H.265+; H.265; Smart H.264+; H.264B; H.264H; MJPEG
Streaming Capability	3 streams
Resolution	4M (2560 × 1440); 3M (2048 × 1536); 1080p (1920 × 1080); 1.3M (1280 × 960); 720p (1280 × 720); D1 (704 × 576); CIF (352 × 288)
Video Frame Rate	Main stream: 4M/3M/1080p/1.3M/720p (1–50/60 fps) Sub stream 1: D1/CIF (1–25/30 fps) Sub stream 2: 1080p/1.3M/720p (1–25/30 fps)
Bit Rate Control	CBR/VBR
Video Bit Rate	Default resolution of the main stream: H264: 2816–8192 kbps H265: 1024–7936 kbps
Day/Night	Auto (ICR); Color; B/W
BLC	Yes
WDR	Yes
HLC	Yes
White Balance	Auto; manual; tracking; indoor; outdoor; outdoor auto; sodium lamp; sodium lamp auto
Gain Control	Auto; manual
Noise Reduction	2D NR; 3D NR
Motion Detection	Yes
Region of Interest (RoI)	Yes
Image Stabilization	Optical
Defog	Electric
Digital Zoom	16×
Privacy Masking	Up to 24 areas can be set, with up to 8 areas in the same view; supports multiple colors and mosaic blocks
S/N Ratio	≥55dB

Audio

Audio Compression	G.711a; G.711Mu; G.726; G722.1; G.729; MPEG2-Layer2; G723; PCM
-------------------	--

Network

Network Port	RJ-45 (10/100 Base-T)
Network Protocol	HTTP; HTTPS; TCP/IP; IPv4; RTSP; UDP; SMTP; NTP; DHCP; DNS; DDNS; IPv6; 802.1x; SSL; Qos; FTP; UPnP; ICMP; SNMP; SNMPv1/v2c/v3(MIB-2); IGMP; ARP; RTCP; RTP; PPPoE; IP Filter; RTMP; Bonjour; TCP; SMB; NFS
User/Host	20 (total bandwidth: 64 MB)
Interoperability	ONVIF Profile S&G&T
Storage	FTP; Micro SD card (256 GB); NAS
Browser	IE7 and later versions Chrome 42 and earlier versions Firefox 52 and earlier versions Safari

Management Software	Smart PSS; DSS; DMSS; Easy4ip; IVSS; player; configtool; NVR; Smart Player
Mobile Client	IOS; Android; iPhone; iPad; Windows Phone

Certifications

Certifications	CE: EN55032/EN55024/EN50130-4 FCC: Part15 subpartB, ANSI C63.4-2014
----------------	--

Port

Audio Input	1 (LINE IN; bare wire)
Audio Output	1 (LINE OUT; bare wire)
Two-way Audio	Yes
Alarm Input	2-ch, digital input (0-5 VDC)
Alarm Output	1-ch
Alarm Linkage	Capture; preset; tour; pattern; recording; alarm digital input; send email
Alarm Event	Motion/tampering detection; audio detection; network disconnection detection; IP conflict detection; memory card state detection; memory space detection

Power

Power Supply	24 VDC/2.5 A ± 25% (included) PoE+ (802.3at)
Power Consumption	Basic: 13 W Max.: 23 W (illuminator+red and blue warning light+speaker+PTZ working)

Environment

Operating Temperature	-40 °C to +70 °C (-40 °F to +158 °F)
Operating Humidity	≤95%
Protection	IP66, TVS 6000V lightning proof; surge protection; voltage transient protection

Structure

Casing	ADC12
Product Dimensions	325.3 mm × Φ202.0 mm (12.81" × Φ7.95") (H × D)
Net Weight	4.6 kg (10.14 lb)
Gross Weight	9.1 kg (20.06 lb)

Ordering Information

Type	Part Number	Description
4M WizMind PTZ Camera	DH-SD6C3425XB-HNR-A-PV1	4 MP 25x Starlight IR PTZ AI Network Camera
	SD6C3425XB-HNR-A-PV1	4 MP 25x Starlight IR PTZ AI Network Camera
Accessories	DC 24V/2.5A	Power Adapter
	PFB303W	Wall Mount Bracket
	PFA114	Mount Adapter
	PFB300C	Ceiling Mount Bracket
	PFB301C	Ceiling Mount Bracket
	PFB303S	Parapet mount Bracket
	PFB301S-E	Plane mount Bracket
	PFA151	Corner mount Bracket
	PFA150	Pole Mount Bracket

Accessories

Included:



DC 24V/2.5A Power Adapter



PFA114 Wall Mount Bracket

Optional:



PFB303W Wall Mount Bracket



PFB300C Ceiling Mount Bracket



PFB301C Ceiling Mount Bracket



PFB303S Parapet Mount Bracket



PFB301S-E Plane mount Bracket

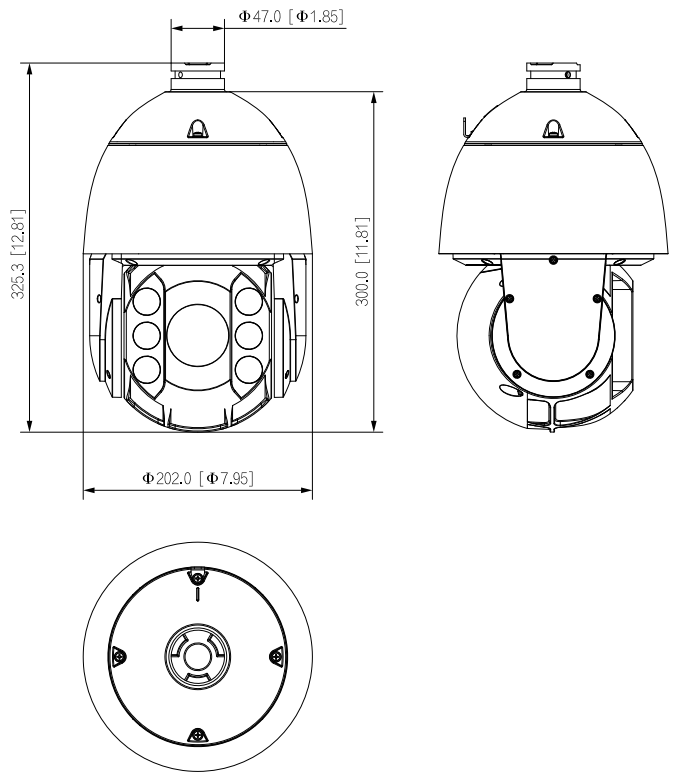


PFA151 Corner Mount Bracket



PFA150
Pole Mount
Bracket

Dimensions (mm[inch])



<p>Wall Mount</p> <p>PFA114+PFB303M+PFA120</p>	<p>Ceiling Mount</p> <p>PFA114+PFB300C</p>	<p>Ceiling Mount</p> <p>PFA114+PFB301C</p>
<p>Pole Mount(Vertical)</p> <p>PFA114+PFB303M+PFA150</p>	<p>Corner Mount</p> <p>PFA114+PFB303M+PFA151</p>	<p>Pole Mount(horizontal)</p> <p>PFA114+PFB300C+PFA150</p>
<p>Plane Mount</p> <p>PFA114+PFB301S-E</p>	<p>Parapet Mount</p> <p>PFA114+PFB303S</p>	