

DH-PFM907

Integrated Mount Tester



- Supports HDCVI, AHD, HDTV and CVBS digital surveillance system.
- PoE or 12 VDC power supply.
- Support Onvif protocol to configure IP address.
- Audio/RS-485 control.
- Digital multimeter function.
- TDR network cable test.
- Wi-Fi signals test.



System Overview

Powered by Linux system, the Integrated Mount Tester is a highly accurate test tool that aids in on-the-spot installation and maintenance of video surveillance devices. It boasts a 7-in touchscreen that is easy to use and comfortable to the touch. It supports a host of features needed in modern security construction projects, such as IPC, HDCVI, AHD, TVI, and CVBS monitor video display, HDMI input and output, TDR network cable test, Wi-Fi signal testing, digital multimeter, and optical power meter test functions.

Technical Specification

System

| | |
|------------------------|--|
| Operation System | Linux |
| Language | 13 languages including Chinese and English |
| Operation mode | Touchscreen |
| Auto Standby/Power Off | Off/5–60min |
| Keyboard Sound | On/Off |
| Display Screen | 7-in 16.7M color TFT touch screen, RGB interface lcd display: 1920 × 1200, backlight brightness adjustable |
| Button | Keypad: 13 keys Others: On-off button |
| LED | 2 |
| Wi-Fi | Frequency: 2.4G/5G Protocol: IEEE 802.11a/n/ac |
| Update | Supports online and local update |

Structure&Environment

| | |
|-----------------------|---|
| Net Weight | 0.93kg (2.05 lb) |
| Product Dimensions | 235.0 mm × 135.0 mm × 45.0 mm (9.25" × 5.31" × 1.77") (L × W × H) |
| Operating Temperature | -10 °C to +55 °C (14 °F to 131 °F) |
| Operating Humidity | 30%–90% (RH) |

IPC Test

| | |
|------------------|---|
| Camera Access | ONVIF and Dahua private protocol |
| Resolution | 2 MP (only supports 1920 × 1080@25 fps, 1920 × 1080@30 fps); 4 MP; 6 MP; 4K |
| Initialization | Yes |
| Image | Live view, snapshot and recording, zoom, and H.264/H.265 decoding |
| Function Control | Modify the IPC resolution, IP address and account password. Control IPC to restore factory defaults |

Analog Video Test

| | |
|------------------------|---|
| Video Format | HDCVI; HDTV; AHD; CVBS (NTSC, PAL) |
| Resolution | HDCVI: 720p@25/30/50/60 fps, 1080p@25/30 fps, 2560 × 1440@25/30 fps, 2880 × 1620@25/30 fps HDTV: 720p@25/30/50/60 fps, 1080p@25/30fps, 2048 × 1536@18 fps, 2560 × 1440@25/30 fps AHD: 720p@25/30 fps, 1080p@25/30fps, 2048 × 1536@18/25/30 fps, 2560 × 1440@25/30 fps CVBS: 720 × 576@25 fps, 720 × 480@30 fps |
| Function Control | OSD menu; PTZ control |
| Image | Live view, snapshot and recording, zoom |
| Video Signal Generator | PAL; NTSC video test signal HDCVI; HDTV; AHD video test signal (720p/1080p) |

UTC

| | |
|-----|---|
| UTC | Switches from CVBS mode to CVI/TVI/AHD mode; Switches from one HD format (up to 1080p) to another HD format |
|-----|---|

DMM

| | |
|--------------------|--|
| DC Voltage | Limit: 2/20/200/600 V Reading range: ±19999 Min. Resolution: 0.1 mV Accuracy: ±0.1%+8 |
| AC Voltage | Limit: 20/200/600 V Reading range: ±1999 Min. Resolution: 1 V Accuracy: ±1.2%+3 |
| DC Current | Limit: 20/200/2000 mA Reading range: ±19999 Min. Resolution: 1 uA Accuracy: ±0.1%+8* |
| AC Current | Limit: 20/200/2000 mA Reading range: ±1999 Min. Resolution: 1 uA Accuracy: ±1.2%+3 |
| Resistance Test | Limit: 2 kΩ/20 kΩ/200 kΩ/2 mΩ/20 mΩ Reading range: 0–19999 Min. Resolution: 0.1 Ω Accuracy: ±0.1%+8 |
| Capacitance Test | Limit: 2 nF/20 nF/200 nF/2 uF/20 uF/200 uF/2 mF/20 mF Reading range: 0–1999 Min. Resolution: 1 pF Accuracy: ±4%+5 |
| Diode Voltage Drop | Limit: 2 V Reading range: 0–19999 Min. Resolution: 0.1 mV Accuracy: ±0.1%+20 |
| Continuity Test | Limit: 2 kΩ Reading range: 0–19999 Min. Resolution: 0.1 Ω Accuracy: ±0.1%+20 |

Others

| | |
|---------------------------|--|
| RS-485 Control | Communication protocol: More than 30 protocols including Pelco–D/P, Samsung, Panasonic, Lilin, and Yaan Baud Rate: 150 bps, 300 bps, 600 bps, 1200 bps, 2400 bps, 4800 bps, 9600bps, 19200 bps |
| Wireless | Spectrum Test; Wi-Fi Test; Signal Monitoring |
| Cable Test | Network Cable Test: Test network cable pair length, attenuation and delay deviation. Test two or more network cables. The connection sequence and network cable number will be displayed on the screen. |
| HDMI Test | 1-ch HDMI video input (720p and 1080p); 1-ch HDMI video output (1920 ×1080p) |
| Audio Test | 1 × audio input, and 1 audio output |
| Power Supply for Camera | 12 VDC 2A |
| Network Test | Features IP address scanning and PING test. |
| Protocol Code Acquisition | Built-in serial port tool, can receive and display RS485 protocol code data sent by control device, and can also send hexadecimal codes. |

| | |
|---------------------|---|
| Optical Power Meter | Detector Type: InGaAs Calibrated Wavelength: 1625/1550/1480/1310n/1300/850 nm Power Test Range: –70 dBm to +10 dBm Measurement Accuracy: <±3% dB (–10 dBm, +22 °C/+71.6 °F); <±5% dB (FS, +22 °C/+71.6 °F) Resolution: Linear: 0.1%, logarithmic : 0.01 dBm Connector: FC/PC |
|---------------------|---|

Port

| | |
|--------------|--|
| Power | 1 × charge port, 12 VDC 1 × power output port, 12VDC 2A |
| Audio Port | 1 × audio input port, 1 × audio output port |
| USB | 1 × type–A port, 1 × slave port |
| Network Port | 2 × RJ45 10M/100M/1G network port |
| SD Card | NA |
| HDMI | 1 × HDMI input port 1 × HDMI output port |
| RS-232 | NA |
| RS-485 | 1 |
| VLS | NA |
| OPM | 1 |
| Multimeter | 4 |

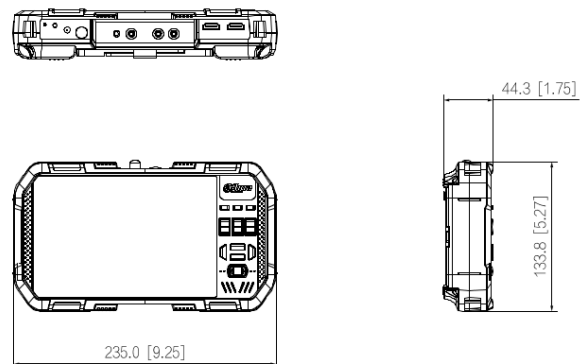
Power Supply

| | |
|--------------|---|
| Power Supply | 12 VDC 1A/POE 48 V–0.5 A |
| Battery | Two battery compartments. Each battery compartment can hold a dedicated lithium battery pack with a capacity of 18.5Wh. The combined working time is about 10 hours. (can operate on a single battery). |

Certifications

| | |
|----------------|--|
| Certifications | CE: EN 55032: 2015, EN 55032: 2017, EN 61000–3–2: 2014, EN 61000–3–3: 2013, EN 61010-1: 2010, EN 62321–1: 2013 FCC: FCC Part 15 Subpart B: 2016 |
|----------------|--|

Dimensions (mm[inch])



Application

