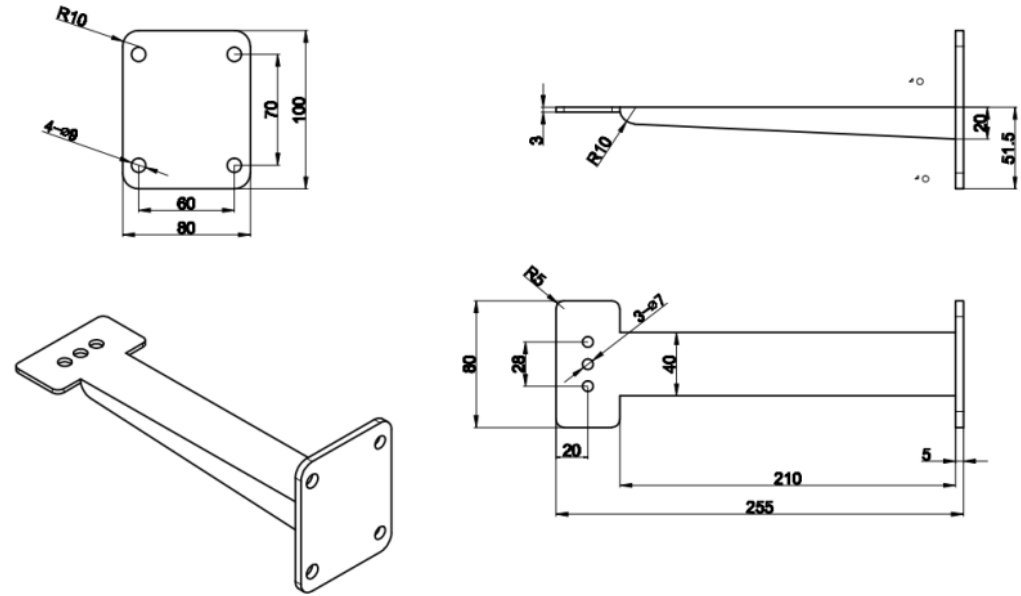


DH-PFB733W-SL

Image:



Size:



Model	DH-PFB733W-SL
Wall mount bracket	
General	optional wall mount bracket for SDZW2000T-SL
Material	316L
Product size	255mm×80mm×100mm
Package size	375mm×330mm×175mm
Weight	0.7kg
Installation	Wall mount
Working condition	Temperature: -40~60°C; RH < 95%