

# DH-PFA126

## Junction Box



- Aluminum alloy material.
- IP66 rated.
- Quick-to-install and anti-dropping structure for safety and convenience.



### Scene

Suitable for camera mounting with operating temperature from  $-40^{\circ}\text{C}$  to  $+60^{\circ}\text{C}$  ( $-40^{\circ}\text{F}$  to  $+140^{\circ}\text{F}$ ) and relative humidity less than 90%.

### Technical Specification

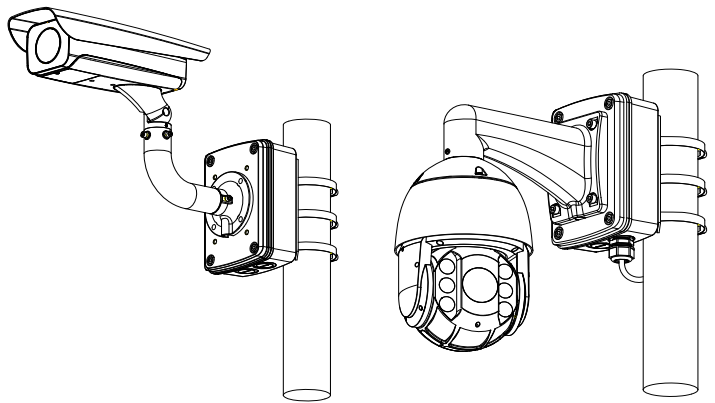
#### Performance

Model	DH-PFA126
Material	Aluminum alloy
Dimensions	228.4 mm × 160.4 mm × 84.7 mm (8.99" × 6.31" × 3.33") (L × W × H)
Weight	1.56 kg (3.44 lb)
Load bearing	8.0 kg (17.64 lb)
Operating Temperature	$-40^{\circ}\text{C}$ to $+60^{\circ}\text{C}$ ( $-40^{\circ}\text{F}$ to $+140^{\circ}\text{F}$ )
Operating Humidity	<90% (RH)
Color	White
Applicable Camera	Please see "Accessory Selection"

### Ordering Information

Type	Model	Description
Camera Mount	DH-PFA126	Junction Box
	PFA126	Junction Box

### Installation



### Package Information

- Water-proof Junction Box \* 1
- M8 Screw \* 4
- M8 Metal Expansion Bolt \* 4
- Water Joint \* 2
- Wrench \* 1
- Instruction \* 1

Dimensions (mm[inch])

