

DHI-LPH65-MC480-U

Smart interactive whiteboard



Series Overview

Dahua DeepHub Ultimate Smart Interactive Whiteboard has powerful processing capabilities with its built-in 8-core CPU, 4-core GPU, 8 GB RAM, 128 GB storage, and Android 15 operating system with EDLA. With a high-precision infrared touch sensor and a 4K DLED display, this interactive whiteboard will give you an extraordinary experience whether you are writing, controlling or displaying content. It features video conferencing, wireless screen sharing, UHD display, scan and go, and more. Let this whiteboard be your go-to choice to digitalize your office and classrooms.

Functions

4K HD Display

With up to 3840 × 2160 resolution, the 4K HD display delivers a clear image in sharp, vivid colors.

Easy to Share

Enhances the experience of sharing files by scanning a code. It automatically determines the network of the device to readily share the QR code across the extranet and the intranet. QR code encryption and extraction are also featured, providing privacy and data security through the required entry of a 6-digit password for verification.

File Management

Supports managing and using Office files, image, video and audio files, and file formats such as PDF and TXT.

- Displays in 4K Ultra HD and uses 4K UI.
- Features split screen, and performs screen sharing between the whiteboard and phones, computers, tablets and more devices.
- Microsoft Office and other related software can be installed, and it can play audio and video files in various formats.
- Offers a smooth writing experience through handwriting recognition, pen writing, the fast writing response speed, and pen pressure recognition for a real writing experience.
- Intelligent text.
- Intelligent pen detection that automatically wakes up the whiteboard for annotations when the pen is lifted. Built-in 48M camera 8-array microphone design.
- Features sound source positioning.
- Offers NFC.
- Includes a full-featured Type-C IN port and supports charging through USB PD up to 100 W.
- With its 2 built-in mid-high frequency speakers, and 2 low-frequency speakers, the device emits sound from its top and supports 2.2-channel audio output.
- Produces vibrant visuals through its high color coverage, low blue light emission, and accurate color reproduction.
- Optional OPS module, dual-system switchable

Similar to Real Writing Experience

The electronic whiteboard supports pen-point writing. It comes equipped with specialized pressure-sensitive writing pens, designed to enhance the writing experience. With its soft, comfortable nib, writing on the whiteboard feels natural, similar to the real writing experience.

Text Recognition

Converts written letters into text in real time, using the default font of the system.

Wireless Screen Sharing

In addition to basic file sharing, the device offers wireless screen sharing, interactive operations between two screens, and reverse transmissions. It also supports screen grouping (multiple transmission), host mode (for overall permission control), real-time transmission of images, videos and audios from the wireless camera of the mobile phone to the device, and split-screen mode that displays up to 9 splits on the same screen.

Technical Specification

Built-in System	
Main Processor	RK3588
Operating System	Android 15
CPU	Quad-core A76 + Quad-core A55
CPU Frequency	2.4 GHz
GPU	Mali-G610 MP4
RAM	8 GB
ROM	128 GB

General	
Operating System of External Module	Windows 7/8/10/11
Power Supply	100–240 VAC, 50/60 Hz, 4.5 A
Power Consumption	170 W (typ.); 450 W (max.)
Standby Power Consumption	≤0.5 W
Operating Temperature	0 °C to +40 °C (+32 °F to +104 °F)
Storage Temperature	–20 °C to +60 °C (–4 °F to +140 °F)
Operating Humidity	10%–90% (RH)
Storage Humidity	10%–90% (RH)
Product Material	Metal
Glass	3.2 mm anti-glare tempered glass
Casing Color (Frame/Rear)	Black
Product Dimensions	1,488.4 mm × 915.3 mm × 86.2 mm (58.60" × 36.04" × 3.39") (W × H × D)
Frame Size	U: 33.3 mm, L/R: 14.6 mm, D: 43.0 mm (U: 2.42", L/R: 0.69", D: 1.11")
Packaging Dimensions	1,628.0 mm × 208.0 mm × 1,014.0 mm (64.09" × 8.19" × 39.92") (L × W × H)
Net Weight	36.55 kg (80.58 lb)
Gross Weight	46.5 kg (102.52 lb)
Holes Distance	600 mm × 400 mm (23.62" × 15.75")
Installation	Wall mount or mobile bracket
Packing List	Power cord × 1; Smart interactive whiteboard × 1; Stylus pen × 2; Wall mount bracket × 1; Remote control × 1; Pack of wall mount screws × 1; Wireless plug-in module × 1; Quick start guide × 1; Legal and regulatory information × 1;

LCD Panel	
Screen Size	65 inch
Backlight	DLED
Aspect Ratio	16: 9

Brightness	400 cd/m ² (typ.)
Static Contrast Ratio	VA: 5000: 1 (typ.); IPS: 1200: 1 (typ.)
Resolution	3,840 (H) × 2,160 (V)
Viewing Angle	178° (H)/178° (V)
Lifespan	≥50,000 hrs
Display Color	1.07 Billion (10 bits)
Color Gamut	90% NTSC
Response Time	6.5 ms
Refresh Rate	60 Hz

Camera	
Camera	Android: Photo: 48 MP; Video: 8 MP Windows: Photo: 8 MP; Video: 8 MP
Field of View	H: 98°; D: 106°

Device Ports	
Light Sensor	Yes
Front Button	6 buttons: Power supply, menu, signal source, curtain, volume and annotation
Front Ports	2 × USB 3.2 Gen1 Type-A 1 × HDMI IN 1 × USB Type-C IN (100 W fast charge, data transmission, local area network) 1 × Touch USB 2.0 Type-B
Rear Port	3 × HDMI IN (4K@60 Hz) 1 × HDMI OUT (4K@60 Hz) 1 × DP IN 1 × USB 2.0 Type-A 2 × USB 3.2 Gen1 Type-A 1 × USB Type-C IN port with 15 W max charge that receives input for audio, videos, data, and network sharing 1 × USB Type-C OUT (4K@60 Hz) 2 × TOUCH USB 2.0 Type-B ports which support touch and wired network sharing of 100 Mbps 1 × AUDIO IN (3.5 mm port) 1 × AUDIO OUT (3.5 mm port) 1 × SPDIF 1 × RS232 1 × RJ45 IN (10/100/1,000 Mbps) 1 × RJ45 OUT (10/100/1,000 Mbps)
Wi-Fi	Yes
Wi-Fi Standard	Wi-Fi Station: 802.11b/g/n/a/ac/ax Wi-Fi AP: 802.11b/g/n/a/ac
Wi-Fi Frequency Range	2400–2483.5 MHz; 5150–5250 MHz; 5250–5350 MHz; 5470–5725 MHz; 5725–5850 MHz;
MAX Power Transmission (Wi-Fi)	≤20 dBm@2400–2483.5 MHz; ≤23 dBm@5150–5250 MHz; ≤20 dBm@5250–5350 MHz; ≤27 dBm@5470–5725 MHz; ≤14 dBm@5725–5850 MHz;
Bluetooth	Yes
Bluetooth Standard	BT5.2 BR/EDR/BLE
Bluetooth Frequency Range	≤20 dBm@2400–2483.5 MHz

MAX Power Transmission (Bluetooth)	≤20 dBm
RFID Modulation Method	ASK
RFID Frequency Range	13.56 MHz
MAX Power Transmission (RFID)	13.56 MHz:≤42dBuA/m @10 m

Function

IR Receiver	1
Card Swiping with NFC	Yes
Wireless Access Point	Wi-Fi 5, 2.4 GHz and 5 GHz dual band, 802.11 ac/n

Touchscreen

Response Time	≤2.0 ms
Touch Technology	Infrared
Attachment Method	Zero Air Gap
Touch Points	Android:32 points;Windows:50 points
Touch Accuracy	± 0.5 mm (≥ 90% touching area)
Valid Touch	≥ 1.5 mm (0.06") (≥ 90% touching area)
Touch Height	≤0.99 mm (average)
Writing Mode	Finger and stylus pen (magnetic)
Communication Mode	USB
Anti-light Interference	Anti-glare tempered glass
Surface Hardness	≥9H
Touch Resolution	32,768 × 32,768

Speaker

Built-in Speaker	4 (CH2.2)
Power	2 × 8 W + 2 × 18 W
Frequency	150 Hz–20 kHz

Microphone

Microphone	8
Pick-up Distance	0 m–12 m (0 ft–39.37 ft)
AGC	Yes
Echo Cancellation	Yes
Intelligent Noise Filtering	Yes

Certification

Certifications	CE, EDLA, Energy Star
----------------	-----------------------

Ordering Information

Type	Model	Description
Smart interactive whiteboard	DHI-LPH65-MC480-U	Smart interactive whiteboard
Accessories (Optional)	DHI-PKP-WP1B	Wireless transmitter

Type	Model	Description
Accessories (Optional)	DHI-SP-PI5C82IS	Open Pluggable Specification
	DHI-SP-PI5C75IS	Open Pluggable Specification
	DHI-PKC-MS0A	DHI-PKC-MS0A
	DHI-PKP-IP1A	Smart Pen
	DHI-SP-PI7C82IS	Open Pluggable Specification
	DHI-PKP-WP0B	Domestic General 22 inch Smart interactive whiteboard
	DHI-SP-PI5C72IS	Open Pluggable Specification
	DHI-PKC-UC0A	USB Camera
	DHI-PKC-WM1A	Omnidirectional Digital Microphone
	DHI-PKC-MS0B	DHI-PKC-MS0B
	DHI-SP-PI7C75IS	Open Pluggable Specification
	DHI-PKC-MS0C	DHI-PKC-MS0C
	DHI-SP-PI7C72IS	Open Pluggable Specification
	DHI-PKC-UC0B	USB Camera

Accessories

Optional:



DHI-PKP-WP1B
Wireless transmitter



DHI-SP-PI5C82IS
Open Pluggable Specification



DHI-SP-PI5C75IS
Open Pluggable Specification



DHI-PKC-MS0A
DHI-PKC-MS0A



DHI-PKP-IP1A
Smart Pen



DHI-SP-PI7C82IS
Open Pluggable Specification



DHI-PKP-WP0B
Domestic General 22
inch Smart interactive
whiteboard



DHI-SP-PI5C72IS
Open Pluggable Specification



DHI-PKC-UC0A
USB Camera

Ulti for Meeting | DHI-LPH65-MC480-U

Optional:



DHI-PKC-WM1A
Omnidirectional Digital
Microphone



DHI-PKC-MS0B
DHI-PKC-MS0A



DHI-SP-PI7C75IS
Open Pluggable
Specification



DHI-PKC-MS0C
DHI-PKC-MS0C

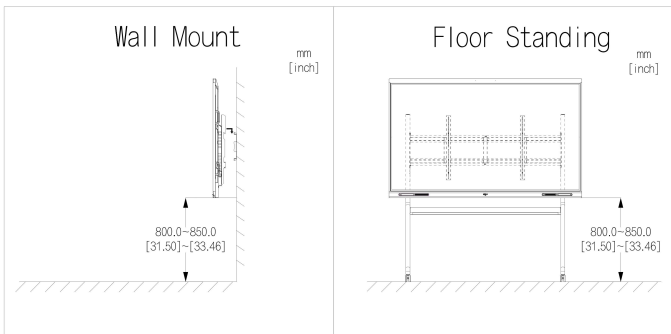
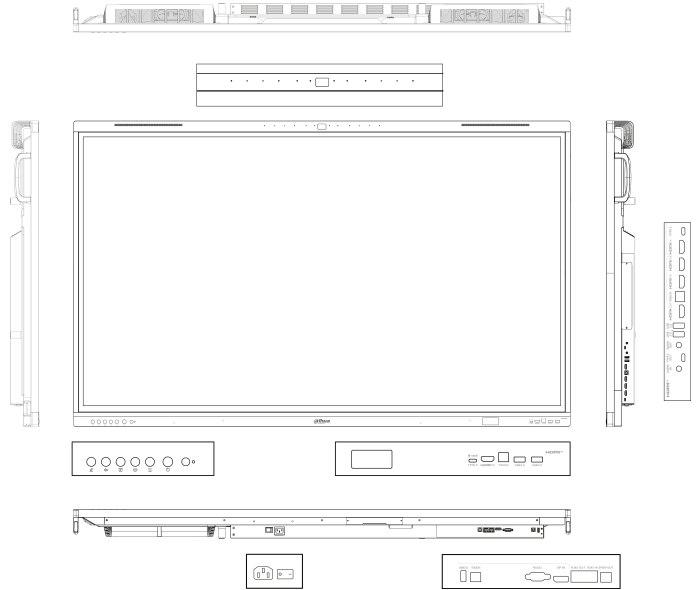


DHI-SP-PI7C72IS
Open Pluggable
Specification



DHI-PKC-UC0B
USB Camera

Panels



Dimensions (mm[inch])

