

2019

ECA Electronic Engineering

Yearly & Weekly Timer

with GSM Access Control

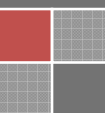


ECA Models:

GSM-18V4.1 Access control only

GSM-18V4YT Access control with Yearly Timer

Manufactured by ECA Electronic Engineering Pty LTD
Address: 76 -80 Levanswell Rd. Moorabbin Vic. 3189 Australia.
TEL: +61 3 95720535
Email: ecaelectronic@bigpond.com
www.gatesonsolar.com



GENERAL INTRODUCTION

This GSM access control system has a built- in Weekly & Yearly Timer that can be easily programmed by SMS. The unit can store up to 2000 users (phone numbers) and trigger the gate to open at no cost of a call. It also can be programmed with “Special Users” that must have limited access on certain days of the week and at certain times of the day. For example, allowing access for the cleaners on Mondays only between 8:00AM till 4:00PM.

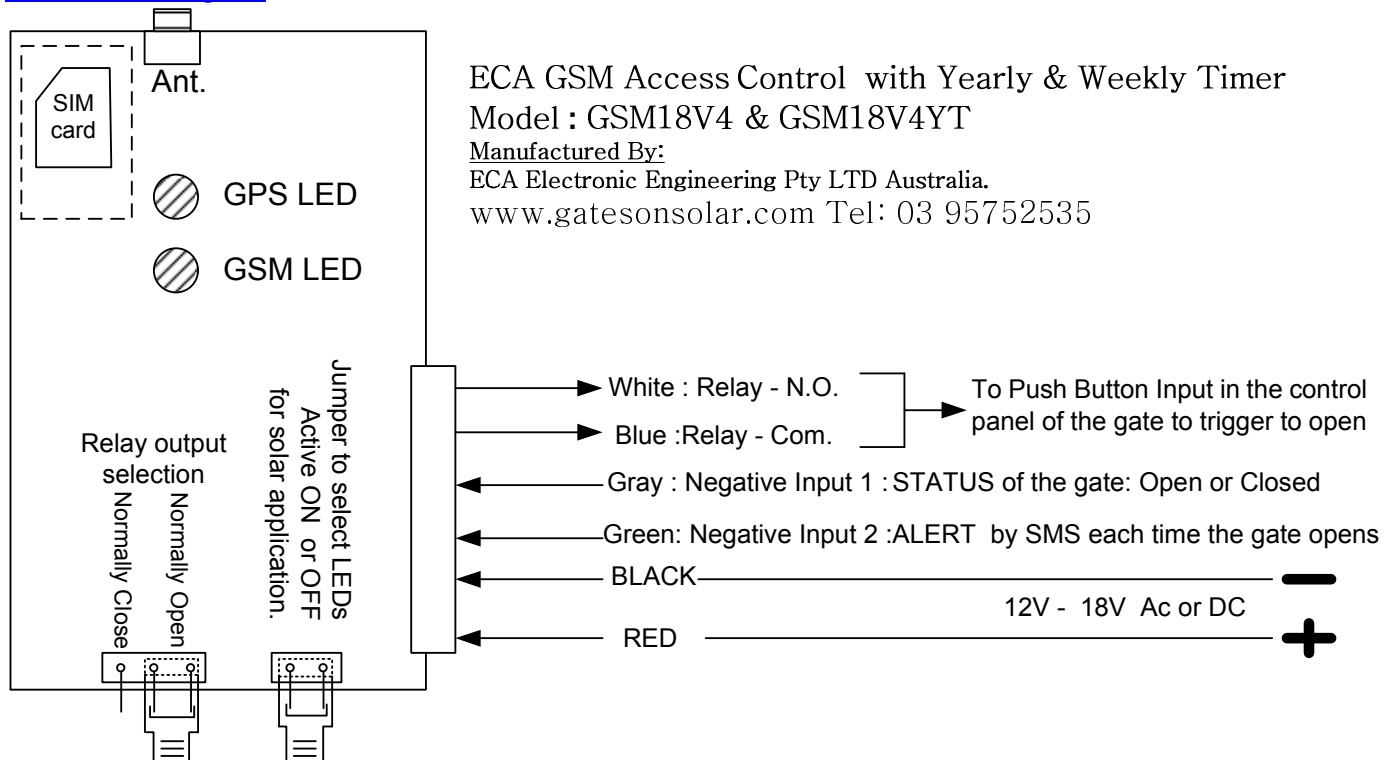
In addition, the unit can be set as a weekly timer to turn ON and OFF on certain days and times. To achieve maximum security, this smart unit can also be programmed with its Yearly Timer to take control of the Weekly Timer’s events to prevent the gate from opening on days and times such as public holidays and special events.

The unit’s internal clock, week days, date and local time are all set automatically via the GSM network, and there is no need to set the weekly timer’s local time or date manually ever – not even when daylight saving times are due. This feature enables the most accurate time and prevents unnecessary visits to site for setting the time when daylight savings are due twice a year.

Making changes and setting the system couldn’t be easier with this smart unit, as the entire programming is done by simple SMS commands and anyone can do it as long as he knows the password of the unit. In addition, the unit allows the manager in charge to control the system remotely with multiple functions such as *locking the system, adding and deleting users, changing the weekly timer’s settings*, and even checking if the gate is open or close at real time.

The unit has an option of using two of its inputs “STATUS” and “ALERT” for checking the gate’s current status (open or close) and also using the second input “ALERT” to send “customized” SMS message to alert him each time the gate opens or whenever there is someone at the gate asking to gain access to the property.

Connection Diagram



Technical:

Operating Voltage: 12V – 18V Ac / Dc. / 1Amp

Size: 70W x 105L x 25D mm

GAM 3G 4G Mini SIM card.