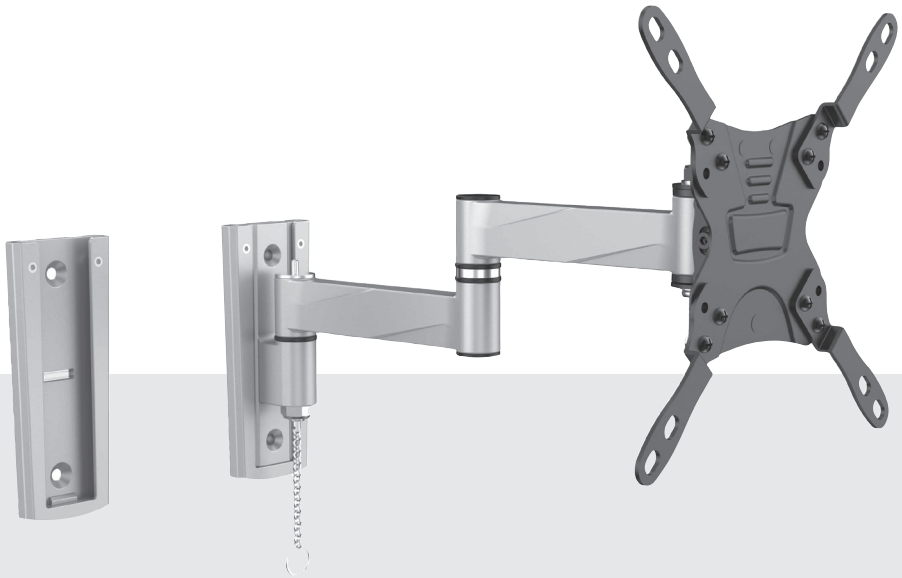


digitech

Swing Arm Wall Bracket

with 2 Slide In Locking Plates



Model:
CW2811

Instruction Manual

CAUTION:

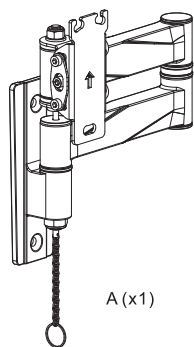
Read the entire instruction manual before you start the installation and assembly. If you have any questions regarding any of the instructions or warnings, please contact your local distributor for assistance.

- Use with products heavier than the rated weights indicated may result in instability causing possible injury.
- Safety gear and proper tools must be used. This product should only be installed by professionals.
- This product is designed to be installed on wood stud walls, solid concrete walls or brick walls.
- Make sure that the supporting surface will safely support the combined weight of the equipment and all attached hardware and components.
- Use the mounting screws provided and **DO NOT OVER TIGHTEN** mounting screws.
- This product contains small items that could be a choking hazard if swallowed. Keep these items away from children.
- This product is intended for indoor use only. Using this product outdoors could lead to product failure and personal injury.

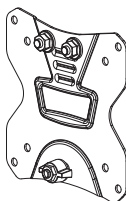
IMPORTANT: Ensure that you have received all parts according to the component checklist prior to installation. If any parts are missing or faulty, contact your local distributor for a replacement.

MAINTENANCE: Check that the bracket is secure and safe to use at regular intervals (at least every three months).

PARTS LIST:



A (x1)



B (x1)



C (x1)



D (x2)



E (x2)



F (x2)



G (x8)



H (x8)



I (x4)



3mm (x1)
J



4mm (x1)
K



M4x14(x4)
M-A



M5x14(x4)
M-B



M6x14(x4)
M-C



M8x20(x4)
M-D



D5(x4)
M-E



D8(x4)
M-F



(x8)
M-G



(x4)
M-H

x2



W-A(x2)

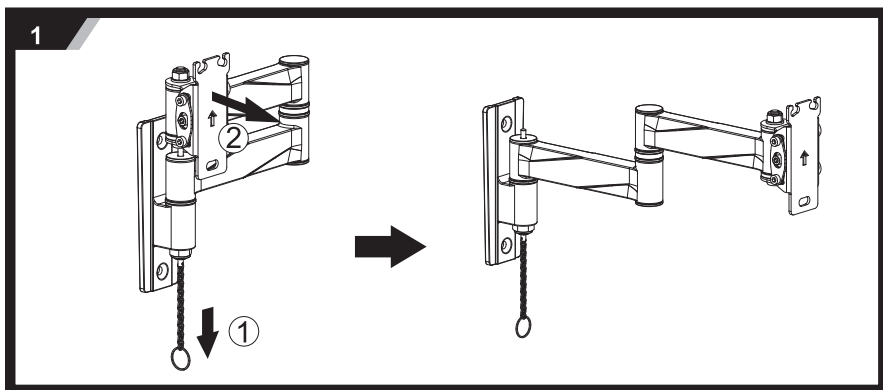


W-B(x2)

INSTALLATION INSTRUCTIONS:

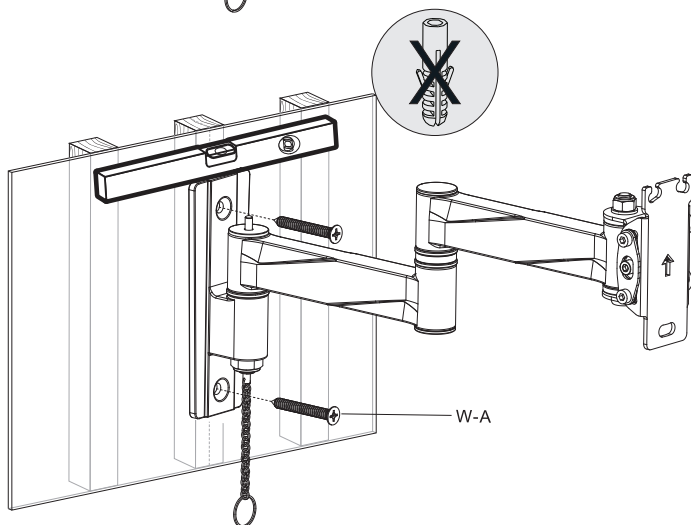
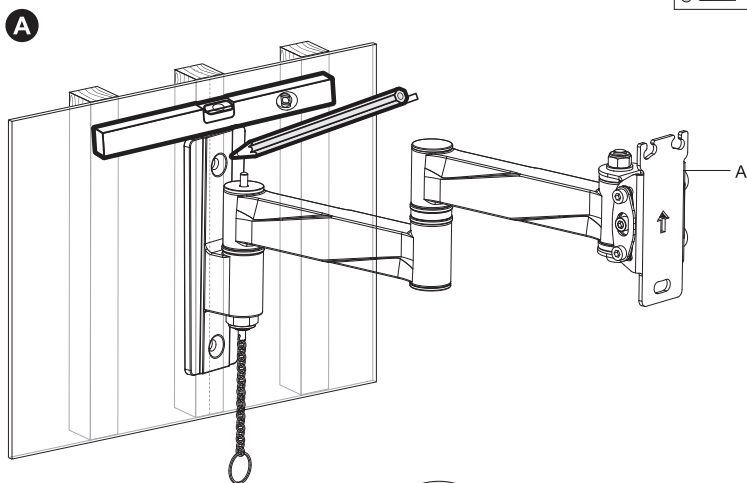
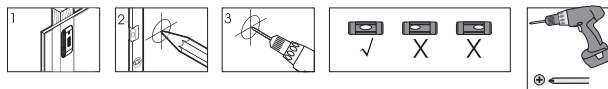
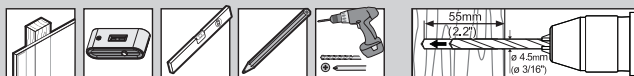
To make the installation process easier, please ensure you have assembled all necessary tools required. Refer to the top of Page 4 for an overview of the tools required for the installation.

IMPORTANT: Ensure that you have received all parts according to the component checklist prior to installation. If any parts are missing or faulty, contact your local distributor for a replacement.



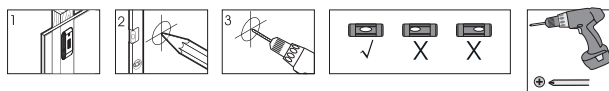
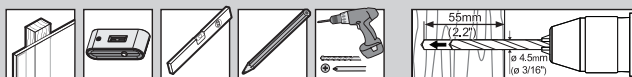
INSTALLATION INSTRUCTIONS:

2a

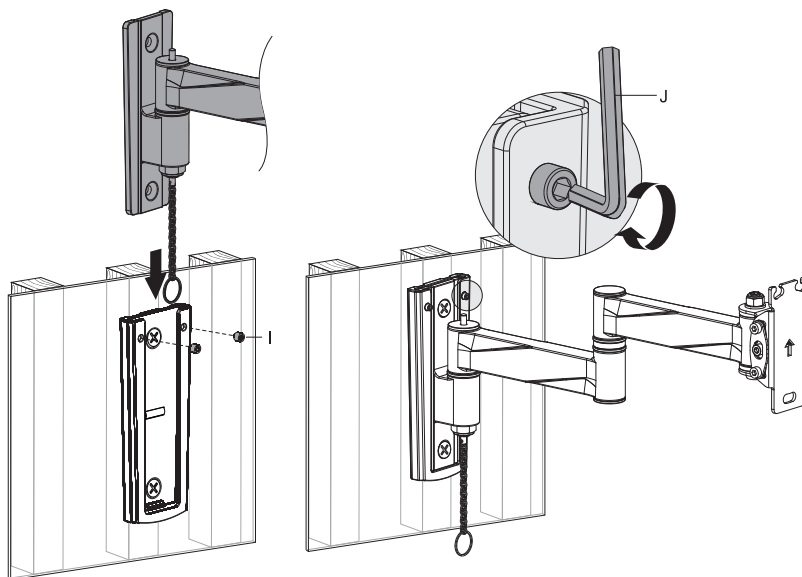
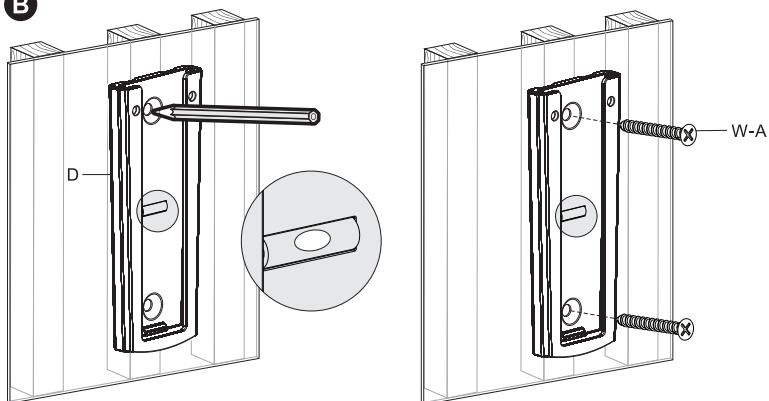


INSTALLATION INSTRUCTIONS:

2a

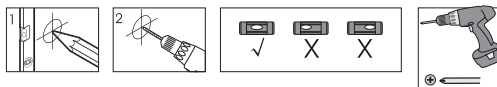


B

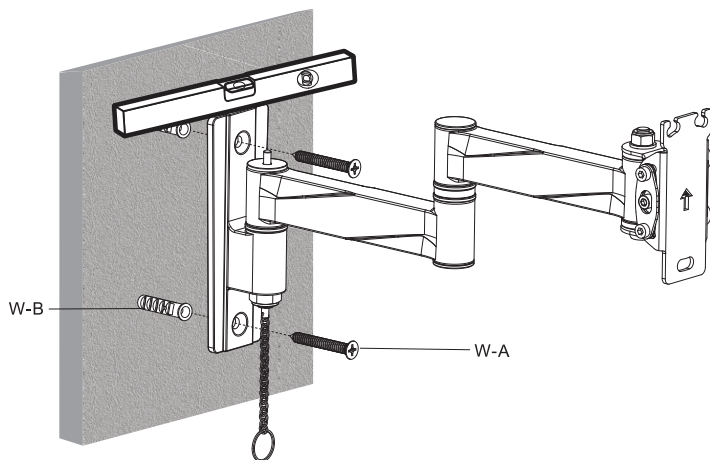
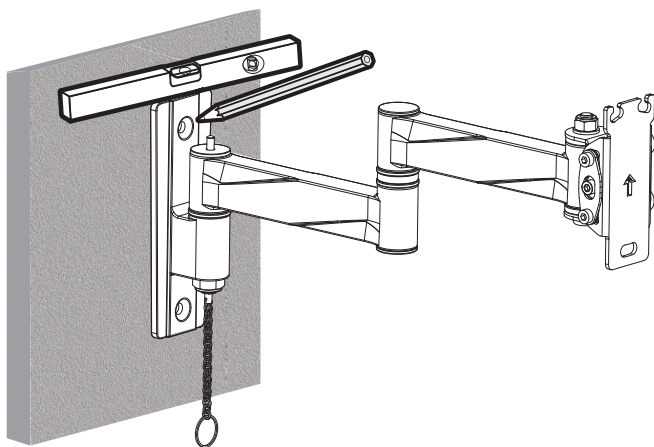


INSTALLATION INSTRUCTIONS:

2b

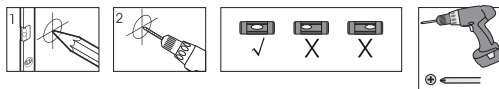


A

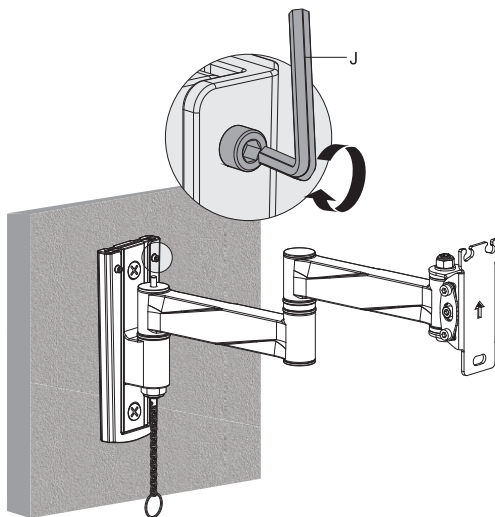
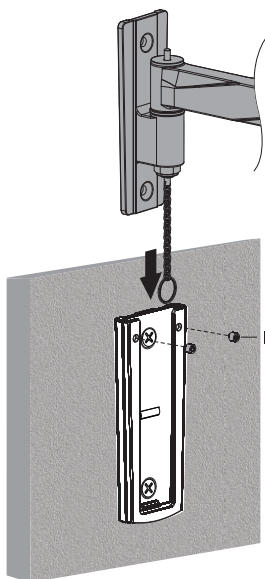
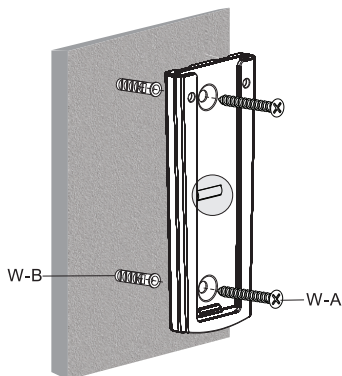
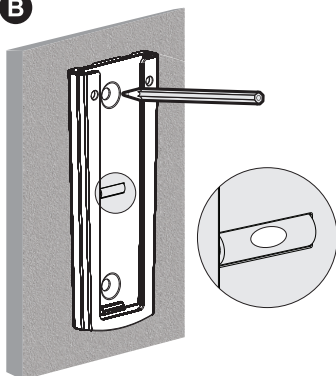


INSTALLATION INSTRUCTIONS:

2b

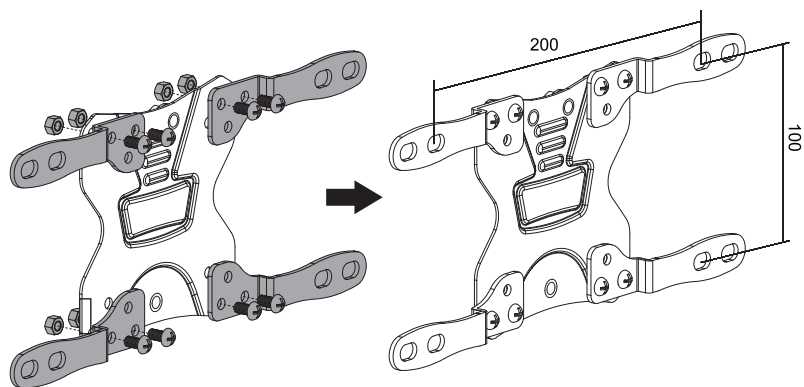
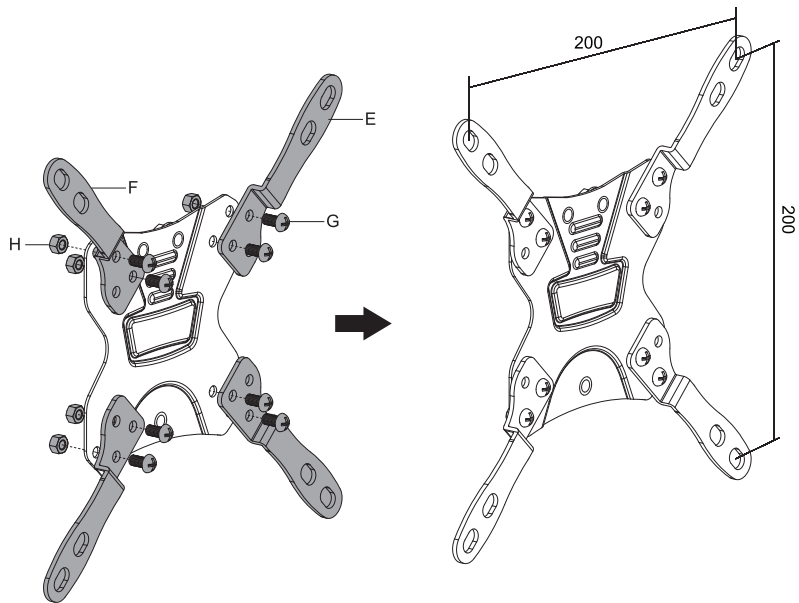
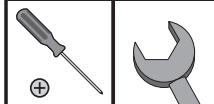


B



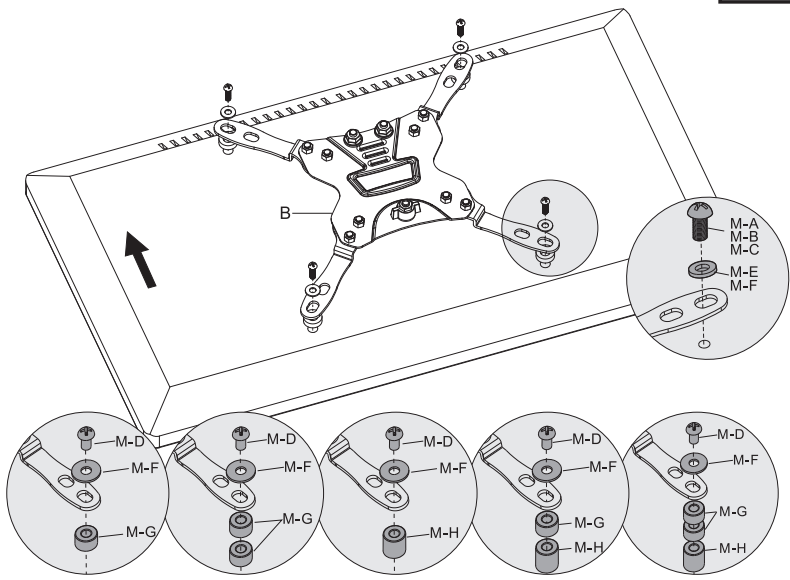
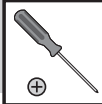
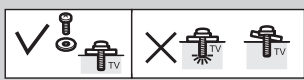
INSTALLATION INSTRUCTIONS:

3

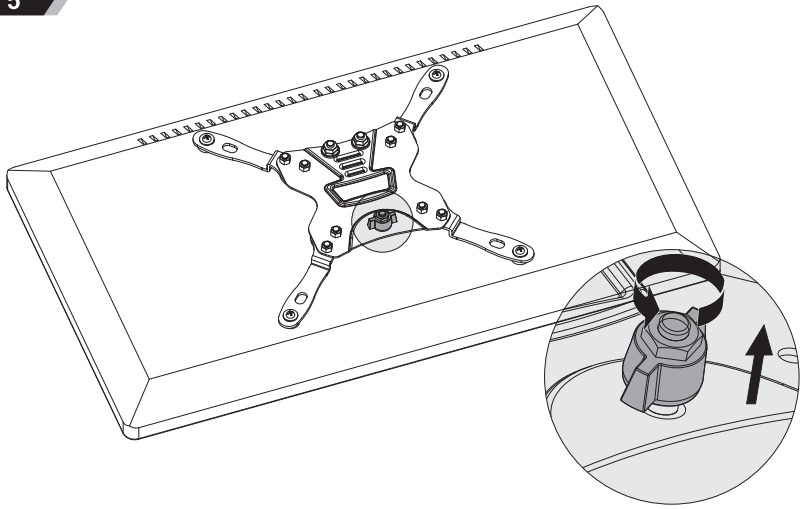


INSTALLATION INSTRUCTIONS:

4

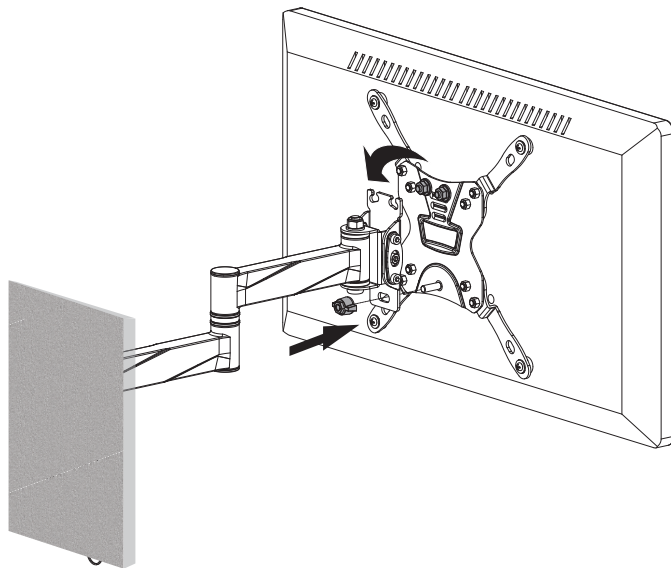


5

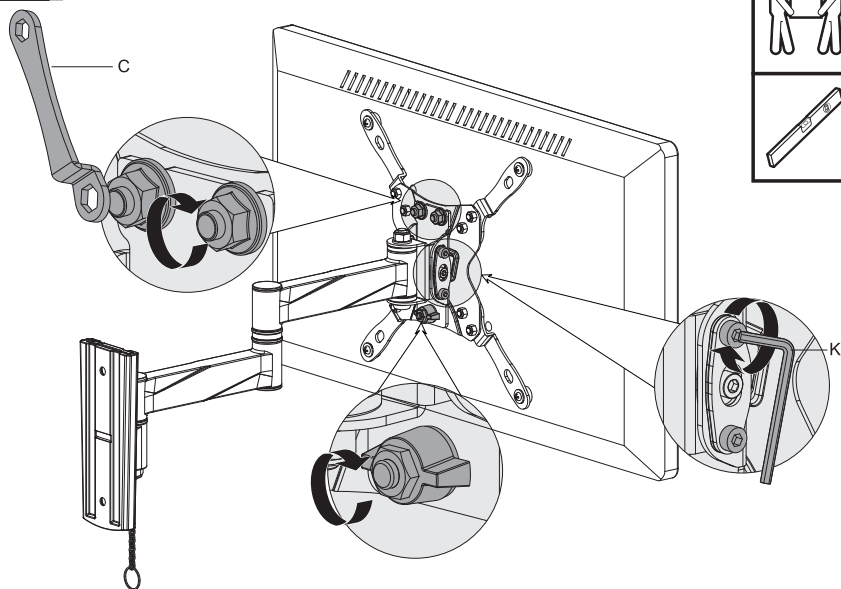


INSTALLATION INSTRUCTIONS:

6

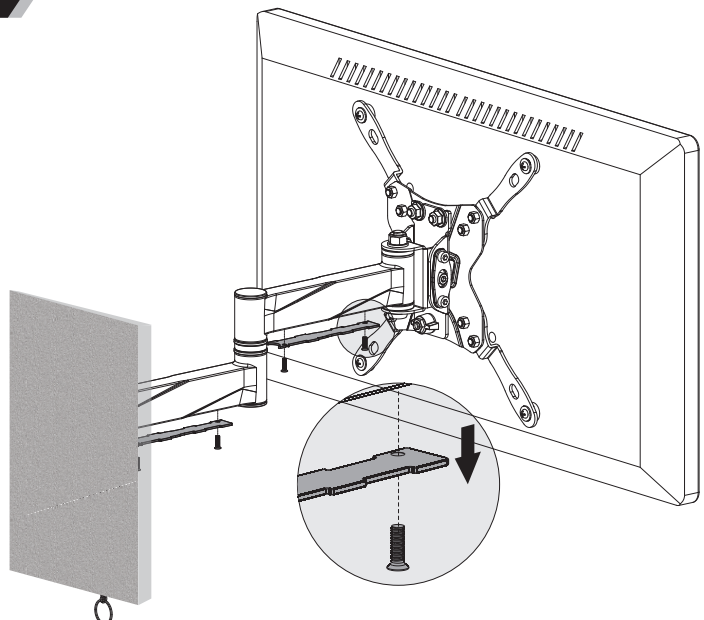


7

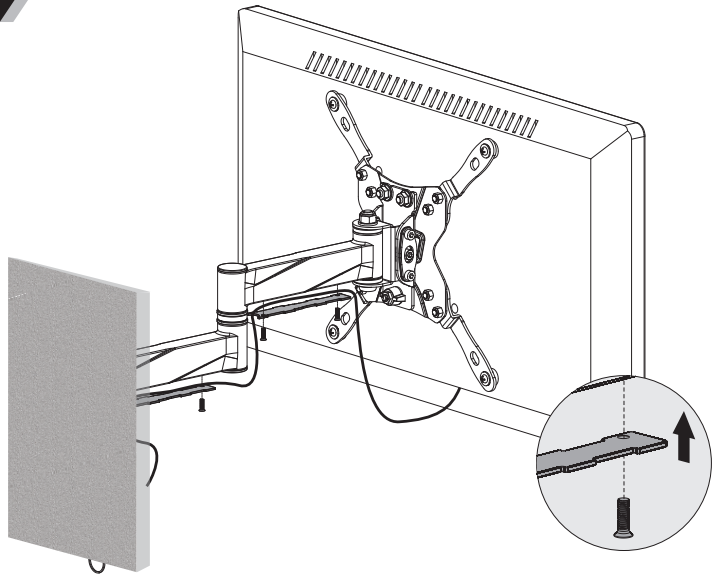


INSTALLATION INSTRUCTIONS:

8

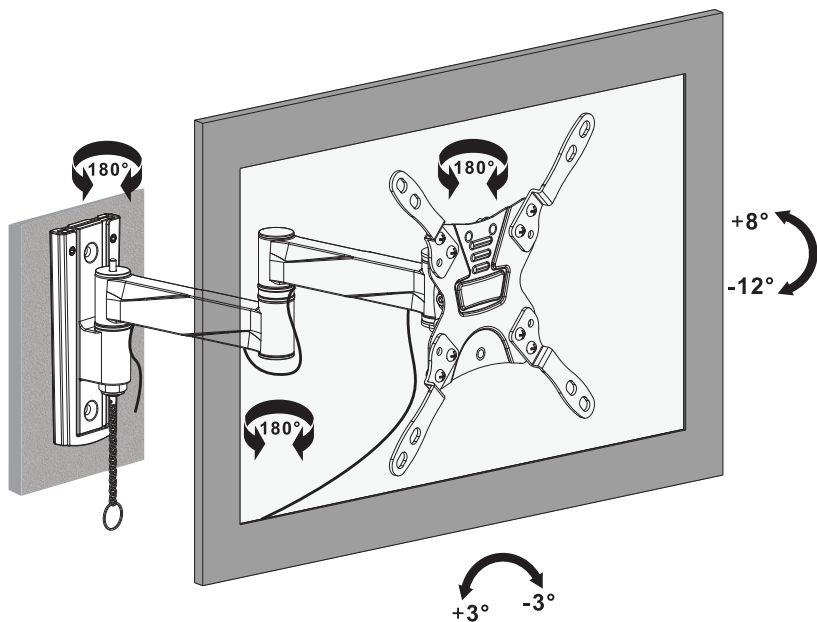


9



INSTALLATION INSTRUCTIONS:

10



NOTES:

NOTES:

Distributed by:
Electus Distribution Pty. Ltd.
320 Victoria Rd, Rydalmere
NSW 2116 Australia

www.electusdistribution.com.au

Made in China