

15 Series

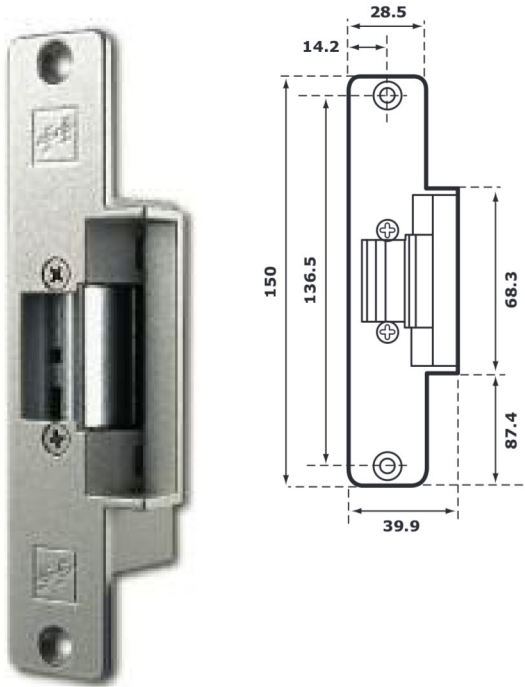
Fail locked

35 Series

Fail unlocked

Features

- Fully reversible for right or left hand doors
- Suitable for wood, metal or aluminium frames
- 6,000N break-in resistance



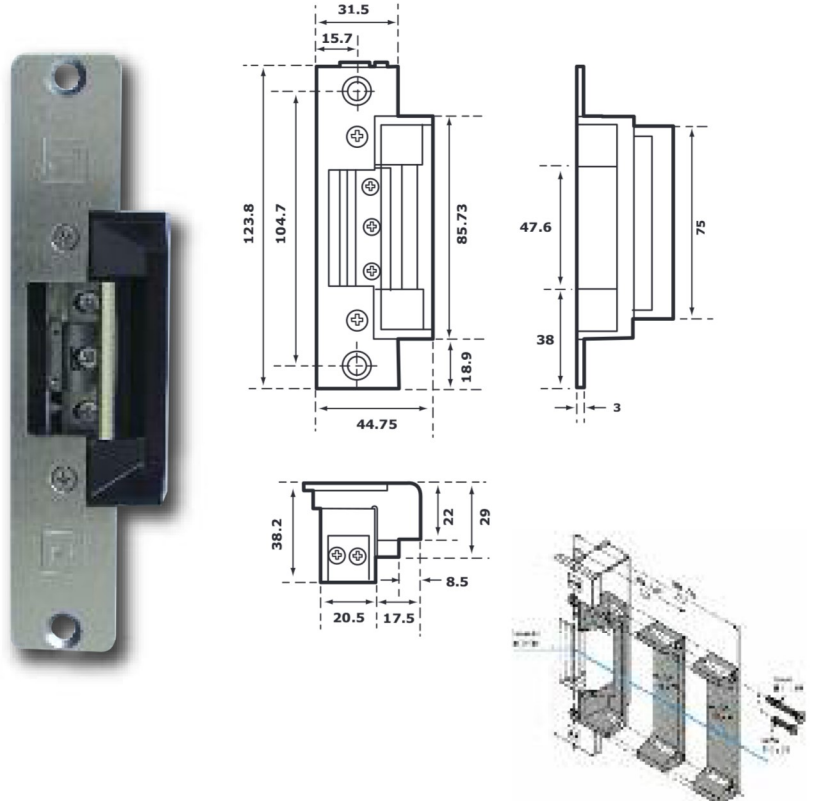
Short plate illustrated

75 Series

75-17 fail locked
75-317 fail unlocked
Select short or long plate

Features

- Fully reversible for right or left hand doors
- Adjustable keeper
- Suitable for wood, metal or aluminium frames
- Extension lips provided



15 SERIES FEATURES	FAIL LOCKED	FAIL UNLOCKED	MONITORING	8-16V AC/DC	12V DC	24V DC
--------------------	-------------	---------------	------------	-------------	--------	--------

15AV---37829R11	•			•		
15AV---37829E31	•				•	
15AV---37829F31	•					•

35 SERIES FEATURES	FAIL LOCKED	FAIL UNLOCKED	MONITORING	8-16V AC/DC	12V DC	24V DC
--------------------	-------------	---------------	------------	-------------	--------	--------

35AV---37829E91	•				•	
35AV---37829F91	•					•

15/35 SERIES TECHNICAL DATA

Standard break-in resistance	6,000N
Material	
Housing keep standard	Die-cast zinc
Operating temperature range	-15° to +40°C
Finish	Grey

75 SERIES FEATURES	FAIL LOCKED	FAIL UNLOCKED	MONITORING	8-16V AC/DC	12V DC	24V DC
--------------------	-------------	---------------	------------	-------------	--------	--------

75-17---***35R11	•				•	
75-17---***35E41	•				•	
75-17---***35F41	•					•
75-17RR***35E41	•		•		•	
75-17RR***35F41	•		•		•	
75-37---***35E91		•			•	
75-37---***35F91		•			•	
75-37RR***35E91	•	•			•	
75-37RR***35F91	•	•			•	

*** to select short faceplate, insert: 877;
to select long faceplate, insert: 879