



## Strikes for fully-glazed doors

Compact, functional design,  
blends discreetly into the surroundings

Model No. **9314 VGL** (fail-locked operation)

Model No. **9334 VGL** (fail-unlocked operation)

for .....mm glass thickness/for .....Volt/.....RR

Specially designed for fully-glazed doors, particularly those with fanlights and glass side panels, this strike offers the advantages of easy installation and compact, functional design.

No complicated equipment is required for installation. The strike is simply stuck to the door with the special adhesive supplied. The aluminium housing can be used for either fail-unlocked or fail-locked types of strike. The discreet design and identical dimensions for the two parts result in a modern, universally acceptable appearance.

**Please note:**

The standard versions are configured for a door thickness of 10 or 12 mm. Special versions for door thicknesses of up to 15 mm are available at extra charge. Min. door spacing: 6 mm.

**Order suffix:**

Door thickness ..... mm

**Fail-locked operation**

The door can only be opened during contact making (momentary contact). In the event of a power failure, the door remains locked.

**Unlocking**

Special coil for continuous duty  
Order suffix: ..... eE

**Monitoring contact (option)**

Order suffix: ..... RR

**Fail-unlocked operation**

With the power supply on, the door remains locked. It can only be opened when the power supply is switched off or fails.

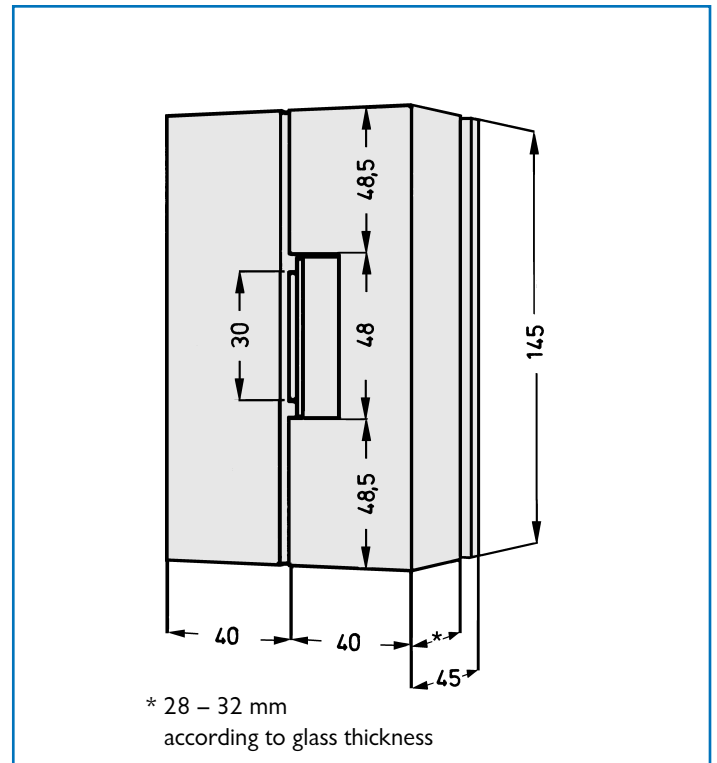
**Technical data:**

**Model 9314 VGL:**

Nominal voltage 6 – 12 V AC

**Model 9334 VGL:**

Nominal voltage 12 V DC or 24 V (select with order)



**effeff** Fritz Fuss GmbH & Co.

Kommanditgesellschaft auf Aktien

Postfach 490  
D-72425 Albstadt

Tel. +49 (0)74 31.123-278  
Fax +49 (0)74 31.123-258

Johannes-Mauthe-Straße 14  
D-72458 Albstadt

internet: <http://www.effeff.com>  
eMail: [infotoe@effeff.com](mailto:infotoe@effeff.com)