

iS400 Solar Kit

24 Volt motor, Suitable for gates up to 4.5 metres and 450kg

SOLAR SWING GATE OPENERS



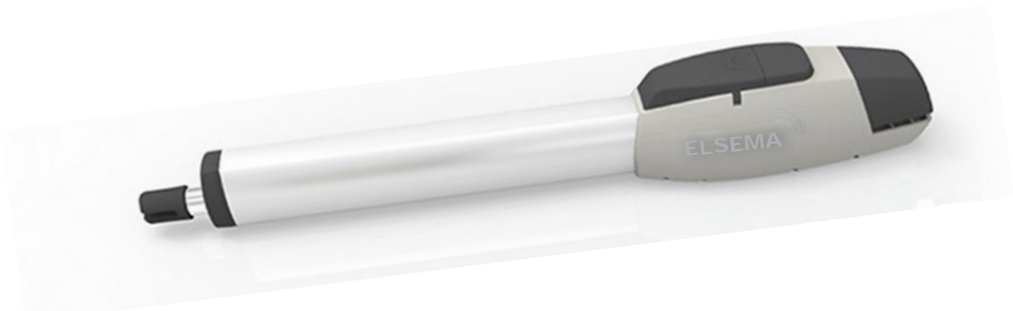
-) Uses Elsema's MC card with Eclipse® operating system
-) Ultra quiet operation yet powerful
-) Die-cast Aluminium motor cover for great durability
-) Bluetooth Smart built-in
-) Real-time battery charging data
-) Limit switch. Ideal for solar applications
-) Waterproof cover design
-) Soft start and soft stop
-) Easy installation



Die-cast aluminum cover. Maximum protection against environment



Easy manual release located on the top side of the motor



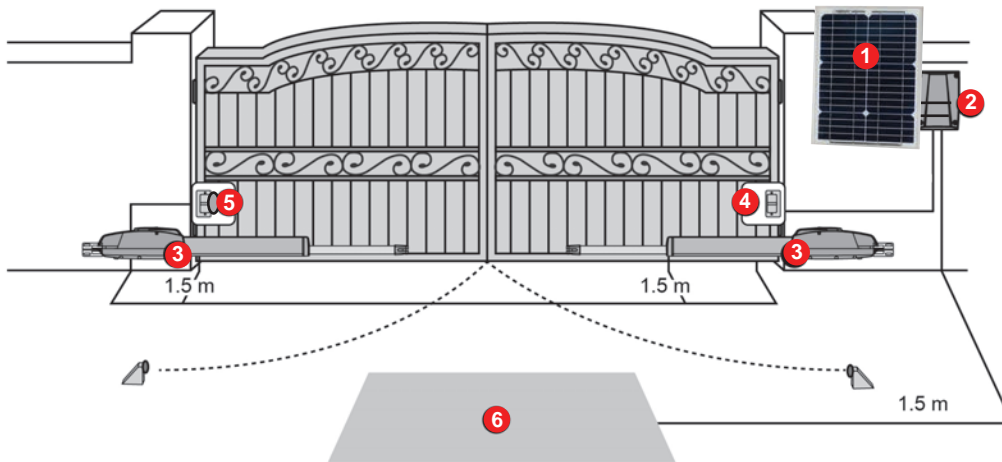
24 VOLTS HEAVY DUTY GEAR MOTOR

Search for VictronConnect in App store

TECHNICAL DATA

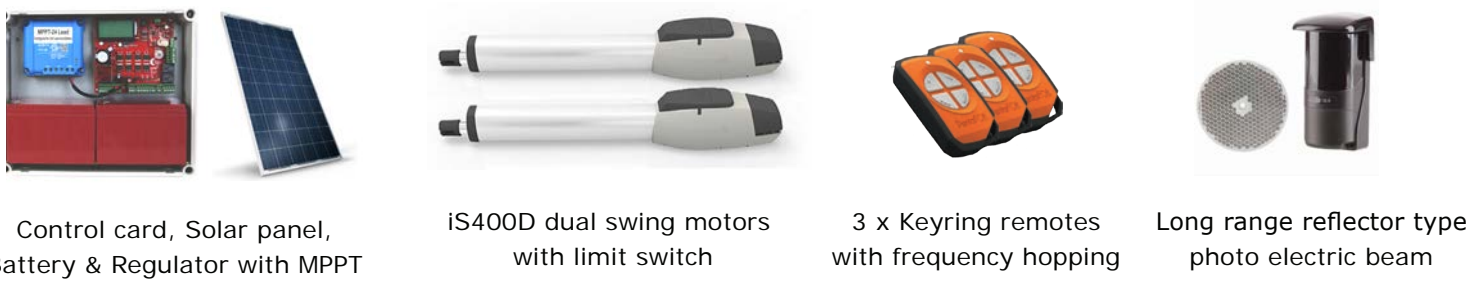
Motor voltage	24 Volts DC
Max gate weight	450kg
Max gate length	4.5 metres
Peak thrust	4500N
Operation stroke	450mm
Typical gate opening time	10-15sec
Duty cycle	20%
Operating temperature	-20°C ~ 50°C

Typical installation



- 1 Solar Panel
- 2 Intelligent control box
- 3 iS400 motor
- 4 PE1500 photo electric beam
- 5 Reflector for PE1500
- 6 Vehicle detector

Kit contents



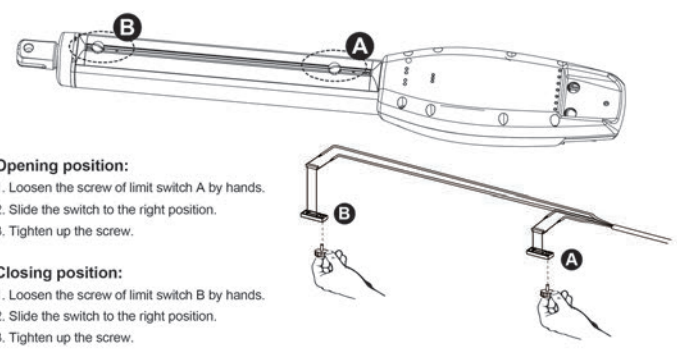
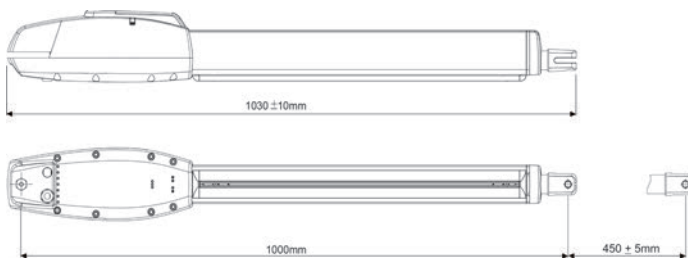
Control card, Solar panel, Battery & Regulator with MPPT

iS400D dual swing motors with limit switch

3 x Keyring remotes with frequency hopping

Long range reflector type photo electric beam

Dimensions



- Opening position:**
1. Loosen the screw of limit switch A by hands.
 2. Slide the switch to the right position.
 3. Tighten up the screw.
- Closing position:**
1. Loosen the screw of limit switch B by hands.
 2. Slide the switch to the right position.
 3. Tighten up the screw.

Ordering Code

PART NUMBERS	DESCRIPTION
iS400DSolar	Dual swing motor kit
iS400Solar	Single swing motor kit



Single 24V, 40Watt Solar panel included in the kit