

Audio/video entrance panels. The perfect combination for kits.

The entrance panels are designed to be teamed with the new line of video entryphones and entryphones for systems in **one-family settings**.



1300/E video entrance panel.



New 1300/E entryphone entrance panel.

- Easy to read nameplate, clearly visible thanks to the LED backlighting.
- Simple and linear design.
- Flush or surface mounting installation.

Simple to adjust:

- Balancing.
- Microphone volume.
- Speaker volume.
- Activation time.
- Option with 1 call button or with 2 call buttons.



Depending on your needs,
choose the composition of your kit.

2 kit versions available, with the Tab 7S Up or with the Tab 5S Up video entryphone.



3 kit versions available, the choice is yours with the new one-family entrance panel combined with the new Voxie hands-free or handset entryphones.



Tab 7S Up: Due Fili Plus pre-programmed kit



1-family hands-free video entry system kit

1-family hands-free video entry system kit for installation of a video door entry system in a single dwelling using Due Fili Plus technology.

The kit contains:

- a hands-free Tab 7S Up video entryphone with 7" colour LCD screen with capacitive keypad and touch-screen display for video door entry phone system functions: talk/listen, lock release, self-start, call transfer, auxiliary services (e.g. stair lights), ringtone mute and intercom calls. With built-in Wi-Fi for smartphone calls with the Video Door app.
- 1300/E series colour audio/video panel 1 module 40151, with 1 call button, electronic unit 40135 and box for wall or flush mounting.
- power supply 6922.1 with 30 Vdc output, supply voltage 110-240 V~ 50/60 Hz, mountable on DIN rail (60715 TH35), occupying 8 x 17,5 mm modules.

Main specifications

Video door entry system kit for connection with only 2 non-polarised conductors (twisted) for video entryphone/power supply, power supply/entrance panel, entrance panel/lock, with call transfer using the Video Door app on smartphone (not supplied).

Recommended use of cable 732H.E.100, 732H.E.500, 732I.C.100, 732I.E.100, 732I.E.500, not supplied. The kit can be expanded with the addition of other video door entry units and entrance panels.

Power supply 110-240 Vac 50/60 Hz.

Video Door app

Immediate and intuitive app used to manage video door entry system functions from your smartphone and tablet. With the Wi-Fi built into the Tab 7S, 7S Up and Tab 5S Up video entryphone, using the app you can receive calls from the entrance panel, make intercom calls, open the lock, activate auxiliary services (switch on the stair lights or the irrigation system, etc.), send and receive text messages or consult recorded messages. Using the easy and intuitive interface it is possible to configure the smartphone or tablet using the wizard or by scanning the QR code, which can be found on the video entryphone display, without modifying the router settings or signing up to other configuration services. The App has been restyled with the addition of the new "Multi-System" and "Multi-User" functions.



App **Video Door** available on Vimar site and Apple and Google Play stores



Tab 7S Up: Due Fili Plus pre-programmed kit



1-family video entry system kit

- ▲ **K40517.E** Due Fili Plus one-family colour hands-free video door entry kit containing:
 - 1 Tab 7S Up video entryphone (40517), white, with integrated Wi-Fi for call forwarding to smartphone,
 - 1 1300/E series flush / surface mounting entrance panel (40151),
 - 1 audio/video electronic unit (40135),
 - 1 power supply unit (6922.1)



Video Door

▲ K40517.E

Tab 7S Up Due Fili Plus video entryphone

Surface mounting Tab 7S Up hands-free video entryphone

Hands-free video entryphone with 7" LCD colour display. With capacitive keyboard with backlighting and touch screen display for video door entry functions: talk/listen, door lock release, self-start, call transfer, auxiliary services (e.g. stair lights), viewing video surveillance cameras, ringtone mute and intercom calls. User controls include: brightness, ringtone volume, ringtone mute with activation of "User Away" function, and selection of preferred ringtone. Facility of differentiating ringtones for calls from different points, typically: entrance panel, landing call, intercom call. The monitor is equipped with a teleloop function for hearing aid users.

Main characteristics

- Power supply: Due Fili Plus Bus.
- Input for additional power supply (6923).
- 7" LCD display, 1024x600 pixel, 16M colours.
- Display with bright gloss finish, colour white.
- Capacitive touch keyboard with backlit symbols and touch screen display.
- Optical signalling for: new notifications and messages, Wi-Fi connection down, door open/professional firm function status and ringtone mute.
- Programmable video voicemail.
- Sending of priority requests for support from reception. Function only available if the reception switchboard service 40510 is installed in the system.
- System contacts list and customisable favourites menu for quick access.
- User configuration via graphic interface.
- Electronic ringtone: with the option of selecting different tunes for entrance panel, intercom or landing calls.
- Professional firm function with time bands and weekly programming.
- Input for landing calls.
- Input for "Alert" function.
- Mounting frame for remote call service on smartphone/tablet via Wi-Fi connectivity.
- Designed for the following mounting methods:
 - semi-flush on masonry walls or hollow walls with mounting box 40591;
 - surface with fixing plate for fixing to a flush mounting box (Vimar ø 60 mm round V71701, 3-module rectangular V71303/V71703 installed horizontally or vertically, 4+4 modules 6149 or V71318/V71718 with accessory 755S);
 - table with desktop base 40596.
- Video entryphone dimensions: 189x171x24.4 mm (surface mounting), 189x171x13.1 mm (semi-flush mounting).

Regulatory compliance

RED directive; RoHS directive; standards EN 62368-1, EN 301 489-17, EN 300 328, EN 62311, EN 55032, EN 55035, EN 63000. Vimar SpA declares that the radio equipment complies with Directive 2014/53/EU. The full text of the EU declaration of conformity is on the product sheet available at the following Internet address: www.vimar.com.

REACH (EU) Regulation no. 1907/2006 – art.33. The product may contain traces of lead.

Tab 7S Up - Keys and signals

Keys

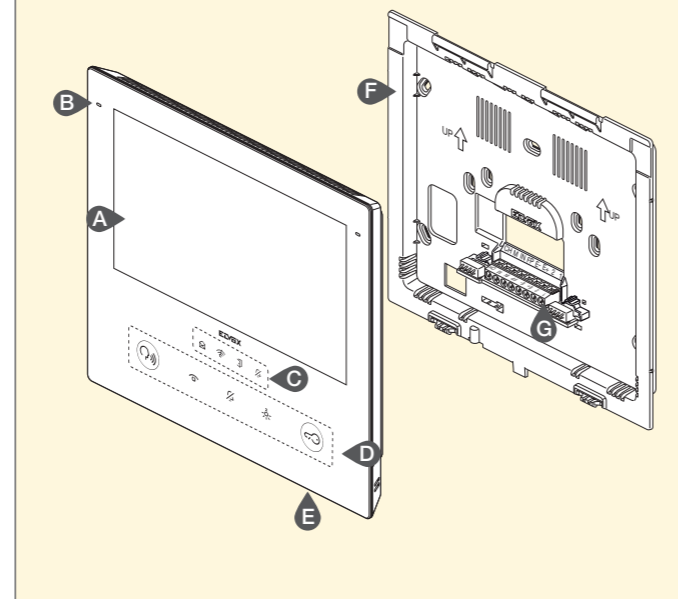
	Talk/listen: - Answers a call. - Ends a conversation.
	Door Opening (Lock): activates the lock on the outdoor station in call/talk or otherwise on the main outdoor station. The function of the key can be modified via programming.
	Self-start: it activates the main outdoor station. The function of the key can be modified via programming.
	Ringtone mute.
	Auxiliary activation: it activates the first relay of the Due Fili Plus system (Aux 1). The function of the key can be modified via programming.

Signals

	New notifications and messages.
	Connection down.
	Door open / Professional firm function status.
	Ringtone mute / Do not disturb.

40517 - Display, keys and connection terminal block

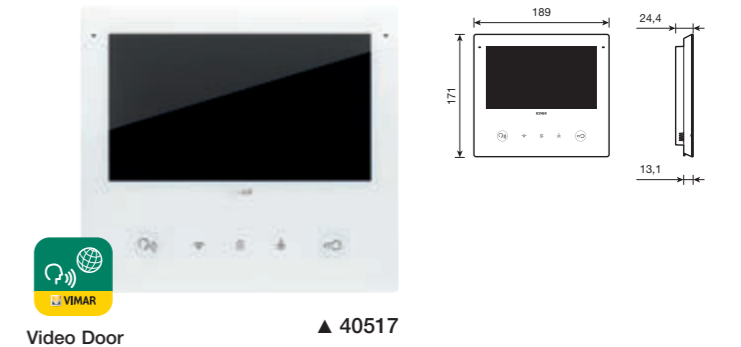
- A) 7" LCD touch screen display.
- B) Microphone.
- C) Signals.
- D) Keys.
- E) MicroSD card housing.
- F) Fixing bracket.
- G) Terminal block for connecting the video entryphone: to the Due Fili Plus system, to an external push button for landing calls, to a ringtone to repeat the call and to a contact for "Alert Function".



Tab 7S Up Due Fili Plus video entryphone

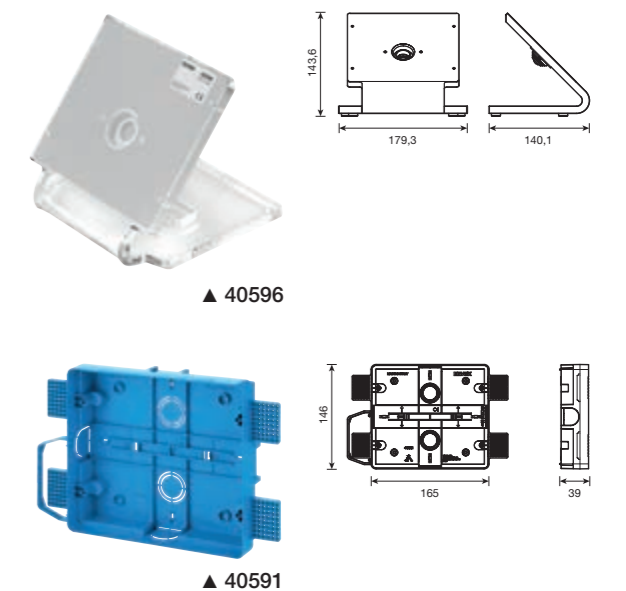
Surface mounting Tab 7S Up hands-free video entryphone

- ▲ 40517 Surface mounting Tab 7S Up hands-free video entryphone for Due Fili Plus system, integrated Wi-Fi for call forwarding to smartphone with dedicated App, 7in touch screen colour LCD display, capacitive keyboard for video door entry functions and intercom calls, video voicemail, teleloop for hearing aids, bracket for fixing in round or rectangular mounting box, surface mounting or semi-flush mounting, white



Accessories

- ▲ 40596 Desktop base for Tab 7S Up series video entryphones
- ▲ 40591 Flush mounting box for Tab 7S Up series video entryphones (GW 850 °C) for hollow walls and masonry, blue



App **Video Door** available on Vimar site and Apple and Google Play stores