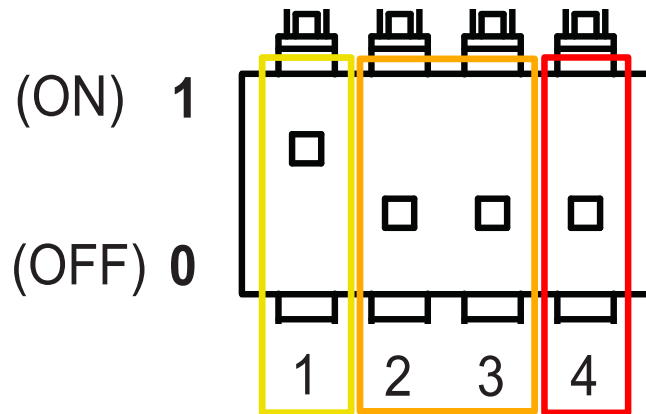
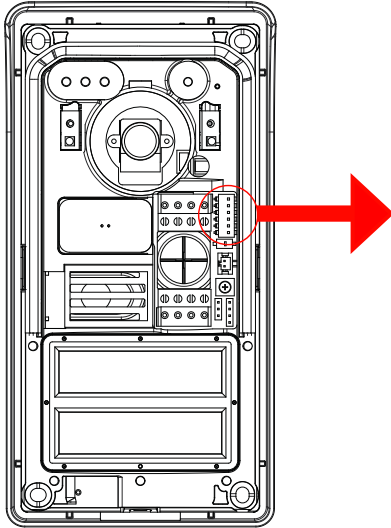


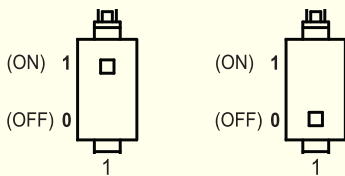
## K42915 - K42945 Dipswitch Configuration

The basic functions of the outdoor stations can be configured with the dip switches at the top right hand corner of the door station.



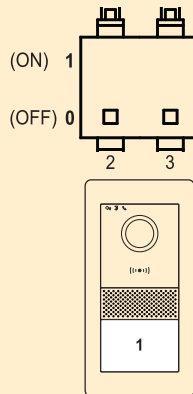
**DIP 1:**  
Sets the outdoor station to  
Master or Slave

**Master      Slave**

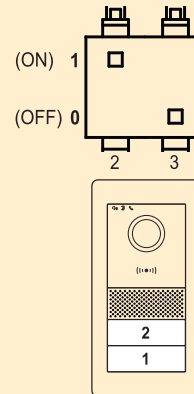


**DIP 2-3:**  
Sets the button configuration

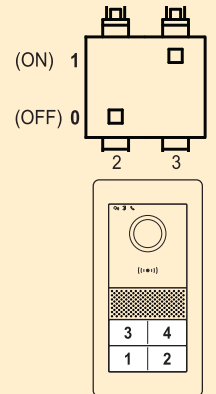
**Single**



**Double**

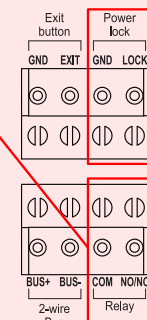
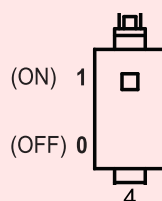


**Quad**

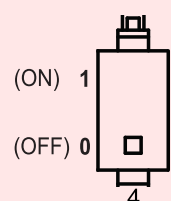


**DIP 4:**  
Sets default locking preference from monitor

**Relay**

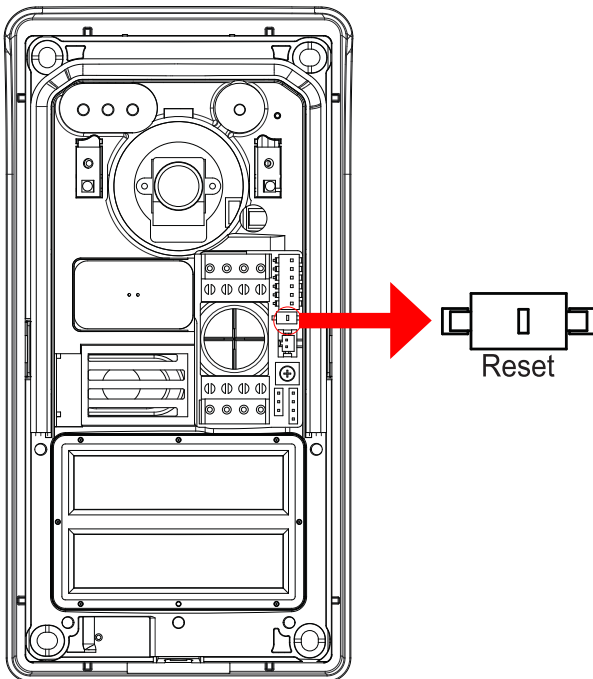


**Power Out**



## K42915 - K42945 Reader Configuration

Basic step by step guide for the reader configuration:



### Adding Administrations Keys

- 1) Press the reset button twice quickly. 4 \*beeps\* will sound to confirm
- 2) Present the "Admin Add Key" to the reader
- 3) Present the "Admin Remove Key" to the reader

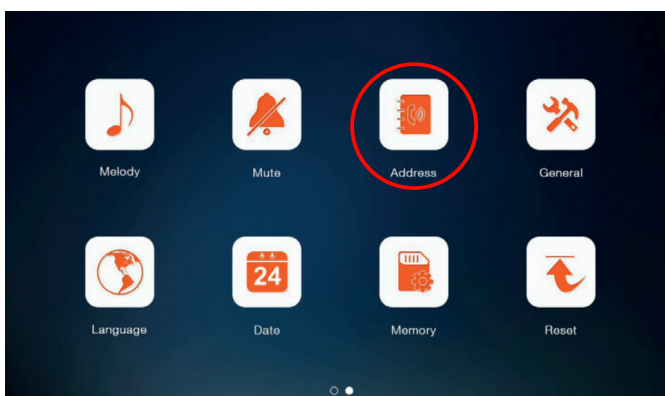
### Adding User Keyfobs

- 1) Present the "Admin Add Key" to the reader. Long \*beep\* will sound to confirm
- 2) Load as many keyfobs required
- 3) Reader will time out after 5 seconds with 4 \*beeps\*

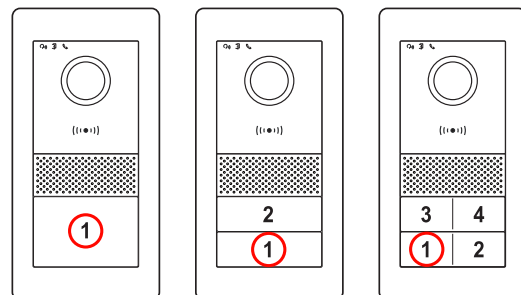
### Removing User Keyfobs

- 1) Present the "Admin Remove Key" to the reader
- 2) Present the key you wish to remove
- 3) Reader will time out after 5 seconds with 4 \*beeps\*

## K42915 - K42945 Monitor Programming



Appartment number will match the outdoor station button ID



Extension number refers to any slave monitors within a unit

