



## ELVOX Door entry: Pixel A/V Teleloop front module grey

**41105.01**

ELVOX Door entry / Due Fili Plus / Pixel

### Pixel A/V Teleloop front module grey

Pixel audio/video front module for Due Fili Plus audio/video electronic unit 41005, for hearing aid function and teleloop symbol, grey

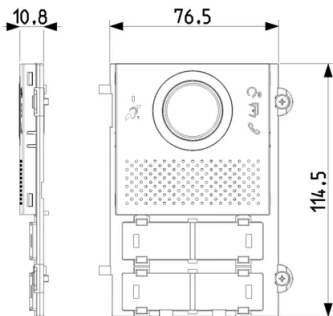
### Product Status

3 - Active

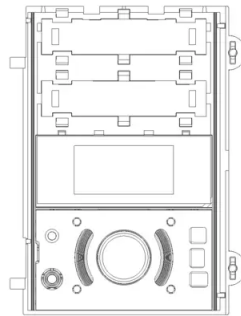
### Minimum order quantity

1 NR

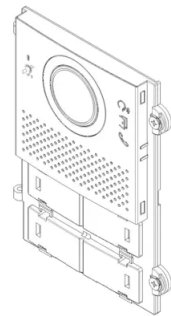
## Drawings



Space view



Backside view



3D View



## Technical data

- **Class group:** Communication technique
- **Class:** Mounting element for indoor station door communication
- **Material:** Aluminium

- **Colour:** Grey
- **Depth:** 10,80 mm

## Certifications

- 00. CE Marking - EU



## Packaging



8 0 1 3 4 0 6 3 0 6 0 7 4  
**Code** 8013406306074  
**Quantity** 1 NR  
**Dim.** 12x9.1x1.9 [cm]  
**Weight** 51.6 [g]



8 0 1 3 4 0 6 3 0 6 0 8 1  
**Code** 8013406306081  
**Quantity** 5 NR  
**Dim.** 13.3x10.2x10 [cm]  
**Weight** 308.4 [g]

## Legal

Vimar reserves the right to change at any time and without notice the characteristics of the products reported. Installation should be carried out by qualified staff in compliance with the current regulations regarding the installation of electrical equipment in the country where the products are installed. For the terms of use of the information on the product info sheet see [Conditions of Use](#).