

FEM2611 (FEM5000G) HIGH QUALITY WEATHER RESISTANT ELECTRO MAGNETIC GATE LOCKING DEVICES



FEM5000G

PRODUCT DESCRIPTION

The Electro Magnetic Gate Lock FEM5000G has a holding force of up to 630kg and is IP67 weather resistant with a stainless steel body housing. The device provides a dual fixing arrangement, a built-in varistor surge protection and accepts both 12 and 24VDC.

The Electro Magnetic Gate Lock also provides the monitoring feature "Lock Status Sensor" by Hall-Effect (LSS). The Electro Magnetic Gate Lock comes with a lifetime warranty and is supplied with an Anti-Tamper-Plate as standard to prevent hostile attacks on the dome-nut-fixing bolt of the Armature Plate.

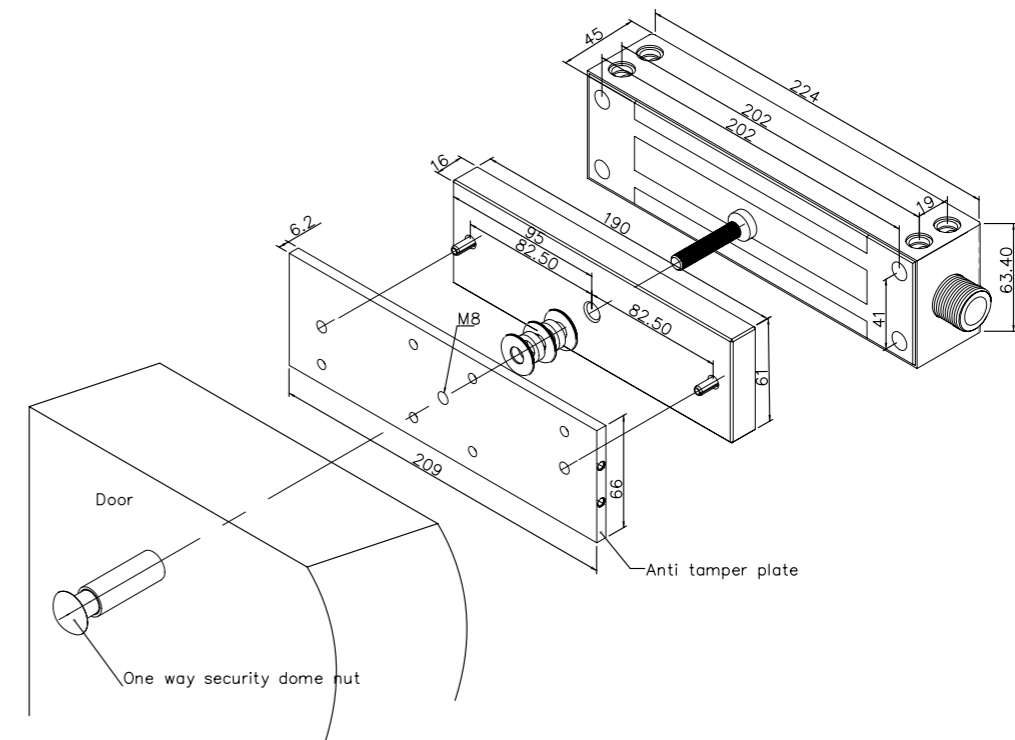
TECHNICAL DETAILS

PART NO.	FEM5000G
HOLDING STRENGTH	Up to 630kg
VOLTAGE/CURRENT	Dual Voltage 12/24VDC, 12VDC= 080mA 24VDC= 240mA
MONITORING	LSS
SIZE	Magnet size: L= 220 x W= 63 x D= 45mm Armature plate size: L= 190 x W= 61 x D= 16mm

PRODUCT FEATURES

- Lock Status Monitoring Sensor (LSS)
- Up to 630kg holding force
- Stainless 304 steel body housing
- Weather resistant IP67
- Lifetime warranty
- Anti Tamper Plate
- CE/C-Tick
- Guaranteed no residual magnetism

PRODUCT DIMENSIONS AND INSTALLATION



seadan 
security & electronics

You're in very secure company

VIC Unit 7, 170 Forster Road, Mt Waverley VIC 3149
NSW Unit 5, 142 James Ruse Drive, Parramatta NSW 2150
QLD 15-19 Hudson Road, Albion QLD 4010
WA Unit 4, 200 Balcatta Road, Balcatta WA 6021
ACT Unit 2, 157-161 Gladstone Street, Fyshwick ACT 2609

1300 366 851 | seadan@seadan.com.au