

PRODUCT 35000 SERIES
HEAVY DUTY MAGNETIC DOOR HOLDER FIRE RATED WITH EXTENSION



PRODUCT DESCRIPTION

Fire and smoke door magnetic holder, 40kg holding force, titanium alloy surface finished, elegant appearance. Installed on fire and smoke doors in projects where doors are required to be held in the open position for both pedestrian and general traffic, the devices have to be linked into a buildings fire/smoke alarm system.

When an alarm occurs, power is removed from the devices and the doors are returned to the closed condition, preventing the spread of fire and/or smoke to other areas. The devices are fire tested to a rating of 4 hours and are supplied either 12 or 24VDC.

35000 SERIES

TECHNICAL DETAILS

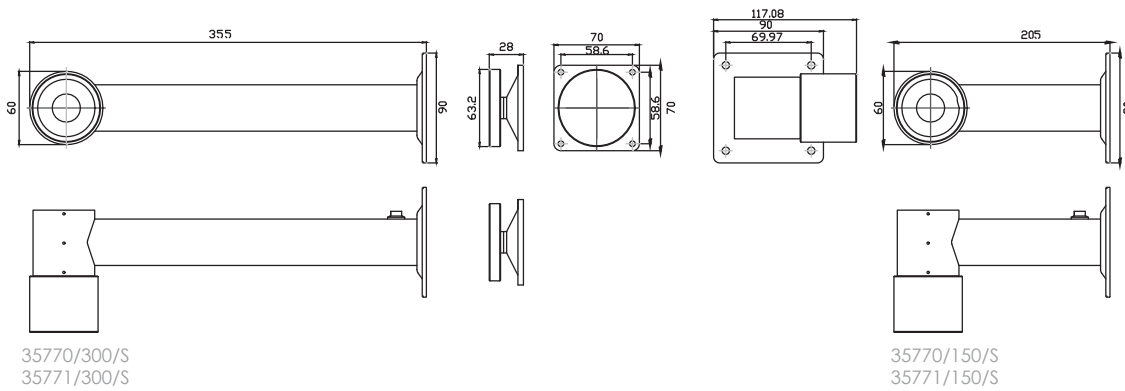
PART NO.	35770/150/S	35771/150/S	35770/300/S	35771/300/S
FUNCTION	Heavy duty 150mm extension wall mount magnetic door holder		Heavy duty 300mm extension wall mount magnetic door holder	
HOLING FORCE	Up to 40kg			
VOLTAGE/CURRENT	12VDC/100mA	24VDC/50mA	12VDC/100mA	24VDC/50mA
SIZE	D= 207 x W= 90 x H= 90mm		D= 355 x W= 90 x H= 90mm	
PART NO.	35770/150/90	35771/150/90	35770/300/90	35771/300/90
FUNCTION	Heavy duty 150mm 90° extension, wall & floor mount magnetic door holder		Heavy duty 300mm 90° extension, wall & floor mount magnetic door holder	
HOLING FORCE	Up to 40kg			
VOLTAGE/CURRENT	12VDC/100mA	24VDC/50mA	12VDC/100mA	24VDC/50mA
SIZE	D= 117 x W= 90 x H= 176mm		D= 117 x W= 90 x H= 324mm	

PRODUCT FEATURES

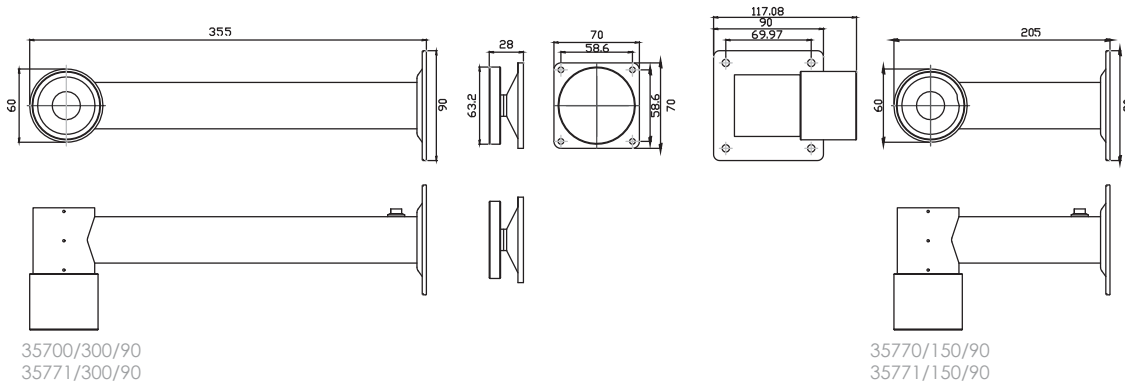
- Fire rated
- Up to 40kg holding force
- 12 and 24VDC options
- Floor mount and wall mount options
- 2 year warranty

PRODUCT DIMENSIONS AND INSTALLATION

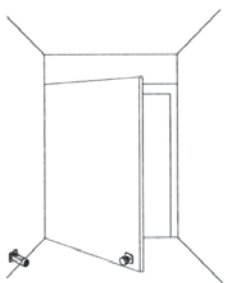
WALL MOUNT



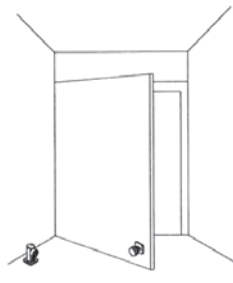
FLOOR MOUNT



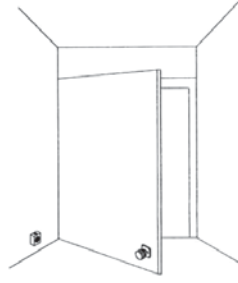
TYPE OF INSTALLATION



Extension Wall Mounting



Floor Mounting



Wall Mounting