

FES2024 (FEA20M) / FES2024 (FHC20M)
 FSH RETROLINE ELECTRIC STRIKE REPLACEMENTS FOR HARCOR AND PADDE EA



FEA20M & FHC20M SERIES

PRODUCT DESCRIPTION

The RetroLine Series Strikes are designed to replace the redundant PADDE EA and HARCOR Electric Strikes. The strikes are modified versions of the FSH FES20M product. A small modification on the door frame has to be made to replace existing PADDE EA or HARCOR strikes.

The RetroLine FEA20M and FHC20M high security electric door strikes have Door Status and Lock Status monitoring (DSS & LSS), are manufactured from stainless steel and have the advantage of accepting D.C. voltages from 12 to 36Volts.

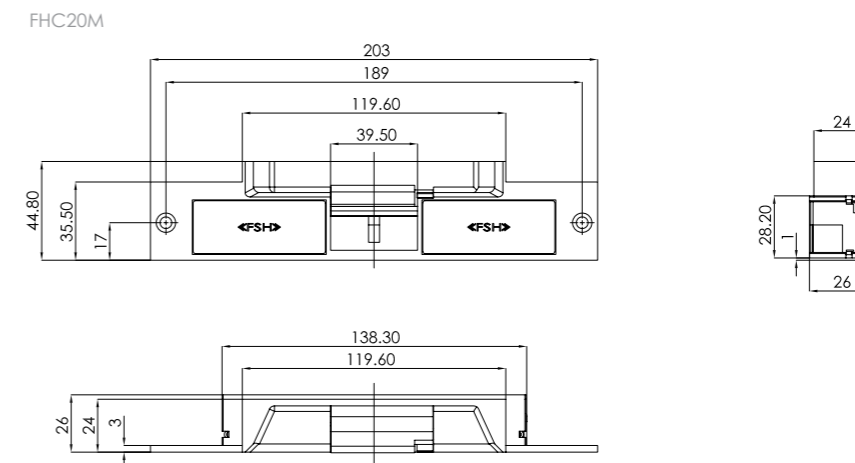
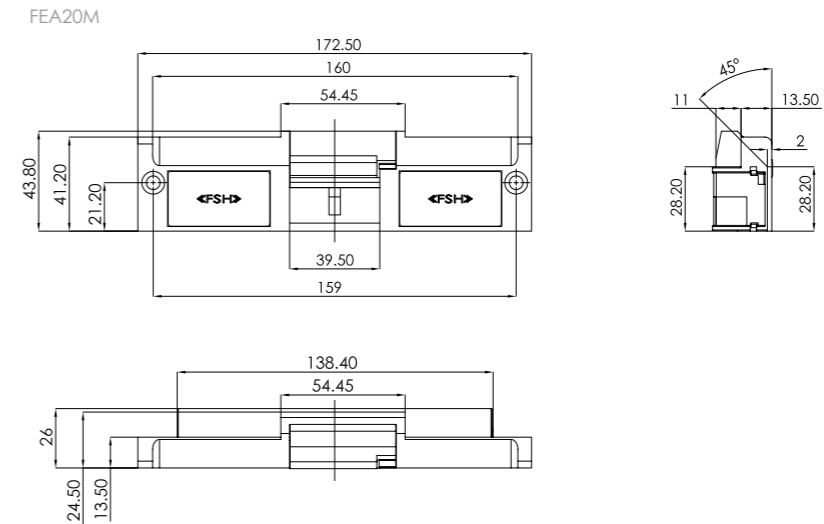
TECHNICAL DETAILS

PART NO.	FEA20M	FHC20M
FUNCTION	Mortise mount, Power To Lock/Power To Release site interchangeable. Input Voltage: 12-36VDC	
HOLDING STRENGTH	Up to 1490kg	
VOLTAGE/CURRENT	12VDC=220mA 24VDC=120mA 36VDC=80mA	
APPROVALS	Up to 4h fire rated to AS/BS Standards	
MONITORING	Fully monitored, Door latch monitoring (DSS), Lock Status monitoring (LSS)	

PRODUCT FEATURES

- 5 year warranty
- Simple Power To Lock/Power To Release interchange
- No loose pins and springs
- CE/C-Tick
- Superior holding strength

PRODUCT DIMENSIONS AND INSTALLATION



seadan security & electronics

You're in very secure company

VIC Unit 7, 170 Forster Road, Mt Waverley VIC 3149
 NSW Unit 5, 142 James Ruse Drive, Parramatta NSW 2150
 QLD 15-19 Hudson Road, Albion QLD 4010
 WA Unit 4, 200 Balcatta Road, Balcatta WA 6021
 ACT Unit 2, 157-161 Gladstone Street, Fyshwick ACT 2609

1300 366 851 | seadan@seadan.com.au