

FEATURES

- ✓ Unique 'Plug & Play' installation concept
- ✓ Anti-Tamper facility
- ✓ Enhanced aesthetics
- ✓ Type A MCP as per AS 1670.1.2018 Part 3.14.7 (a flap must be included with the unit to comply)



**flap purchased separately*

PRODUCT DESCRIPTION

The MCP range is easy to install, easy to use and complies with all relevant standards.

The MCP range provides a unique 'plug and play' concept designed specifically to reduce installation time. All MCP products utilise a special terminal block, where all initial installation cabling is terminated. This terminal block is then simply connected to the back of the MCP.

TECHNICAL SPECIFICATIONS

ELECTRICAL

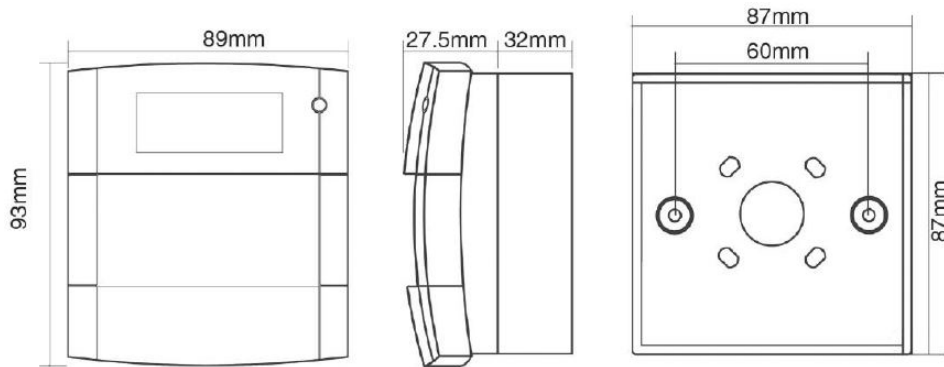
Cable Termination	0.5-2.5mm ²
Maximum Voltage	30Vdc
Current Rating (Switch Only)	2A

ENVIRONMENTAL

Humidity	93 ± 3% non-condensing
Operating Temperature	-10°C to +55°C
Storage Temperature	-10°C to +55°C
Ingress Protection (IP) Rating	IP24

MECHANICAL

Material	PC/ABS
Weight	130g Flush 180g Surface
Colour	Red (RAL3001)



ORDERING INFORMATION

Model	Electrical Configuration	Mounting	Operating Element
MCP-K-R-M	470 Resistor & N/O	Surface	-

N/O = Normally Open Contact

SPARE PARTS

MCP-K-SG-PK10	Pack of 10 spare glasses - Dimensions: 75mm L x 40mm H
MCP-K-SF	Spare Flap to suit KAC Rounded Front Call Points

APPROVALS

- ✓ ActivFire certified - Listing No. afp-2258