



FDH70 Series

Electromagnetic Door Holder



The FDH70 is an electromagnetic door holder that is suitable for wall mount applications. With low current consumption, the door holder has a holding force of up to 75kg.

The FDH70 accepts voltages of either 12 or 24VDC and is a compact, highly durable electromagnetic door holder suitable for most swing doors.

Features

- Dual voltage field selectable (12VDC/24VDC)
- Emergency Release Button / Test Button
- Suitable for Wall mount applications
- Reliable Fail-Safe Mechanism
- Supplied with adjustable armature plate
- Up to 75kg holding strength
- Durable and silent operation
- Compact Size for most types of swing doors

Warranties	
Mechanical	2 years
Electronic	2 years

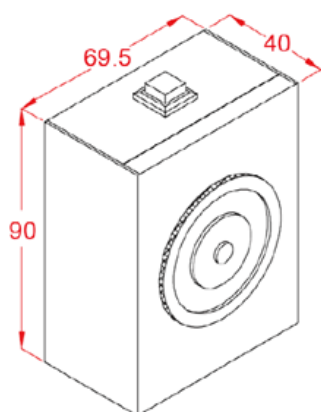
Technical specifications

Model	FDH70
Function	Wall mount for swing doors
Holding strength	Up to 75kg
Volatage / Current	Dual voltage 12VDC/100mA 24VDC/50mA

Dimensions and typical installation



60L x 60W x 55.5H



All dimensions in mm

