

**FES1000 (FES10) / FES1001 (FES10M)**  
ELECTRIC STRIKE –ANSI FOOTPRINT



FES10 SERIES

**PRODUCT DESCRIPTION**

The patented small ANSI footprint, FES10 Series Electric Strikes are designed for light commercial and residential applications. They accept voltages of either 12 or 24VDC, are fire tested up to a 4 hour fire resistance rating to both Australian and British Fire Test Standards.

The strikes are easily site-interchangeable Power To Lock (PTL) or Power To Release (PTR) by simply changing over the Barbell mechanism. The device is pre-drilled to cater for extension lips, come with a 5 year warranty and have a holding strength of up to 1300kg. The FES10M version comes with Door Status Sensor (door latch monitoring). The FES10 version is weather resistant IP56 rated.

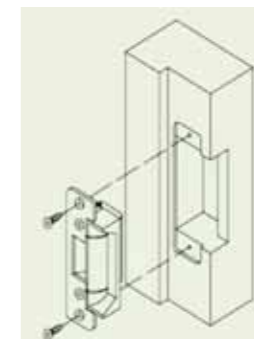
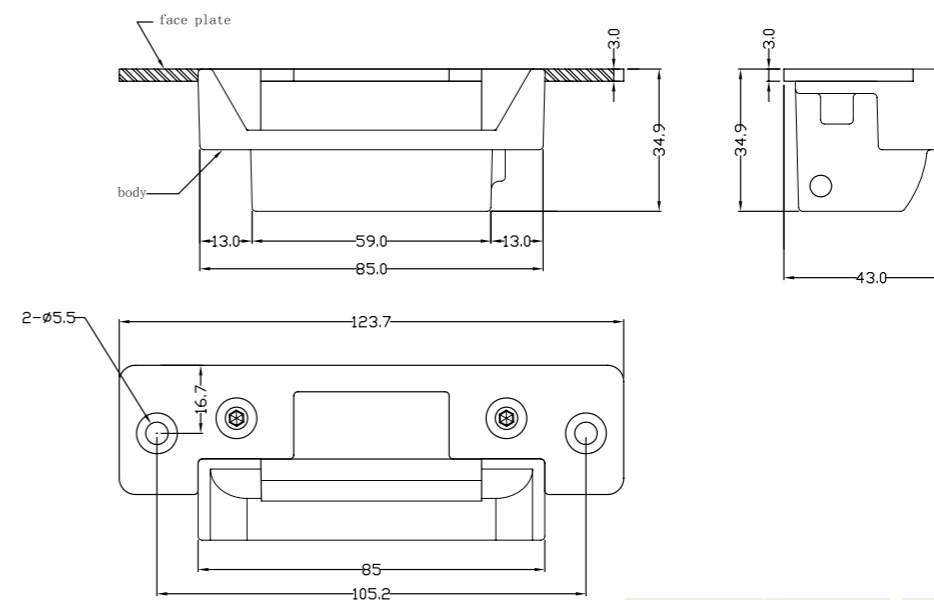
**TECHNICAL DETAILS**

PART NO.	FES10M	FES10
FUNCTION	Mortise mount, Power To Lock/Power To Release site interchangeable. Input Voltage: 12/24VDC	
HOLDING STRENGTH	Over 1300kg	
VOLTAGE/CURRENT	Dual Voltage 12VDC/200mA 24VDC/100mA	
APPROVALS	2 hour fire rated to A.S. and B.S. standards	
MONITORING	Door Latch monitoring	Non monitored
SIZE	L= 125 x W= 42 x D= 35mm	
IP RATING	N/A	Weather resistant IP56

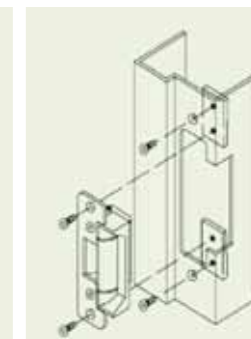
**PRODUCT FEATURES**

- Stainless steel faceplate and keeper
- Patented Barbell mechanism for simple change of locking function
- Low power consumption
- Compatible with door latch depth of up to 15mm
- Weather resistant IP56 (FES10 non monitored only)
- Superior holding strength of up to 1300kg
- 5 year warranty
- 12 or 24VDC operation
- Pre-drilled for extension lips

**PRODUCT DIMENSIONS AND INSTALLATION**



Mounting Installation on wooden door frame



Mounting installation on metal, aluminium or PVC door frame

**ORDER DETAILS & ACCESSORIES**

PART NO.	PRODUCT DESCRIPTION
FES10M	Electric Strike ANSI Footprint
FES10	Electric Strike ANSI Footprint weather resistant IP56
FES10-EL15	FES10 Extension Lip 15mm
FES10-EL25	FES10 Extension Lip 25mm
FES10-EL50	FES10 Extension Lip 50mm
FES10-EL75	FES10 Extension Lip 75mm



**seadan** security & electronics



VIC Unit 7, 170 Forster Road, Mt Waverley VIC 3149  
NSW Unit 5, 142 James Ruse Drive, Parramatta NSW 2150  
QLD 15-19 Hudson Road, Albion QLD 4010  
WA Unit 4, 200 Balcatta Road, Balcatta WA 6021  
ACT Unit 2, 157-161 Gladstone Street, Fyshwick ACT 2609

You're in very secure company 1300 366 851 | [seadan@seadan.com.au](mailto:seadan@seadan.com.au)