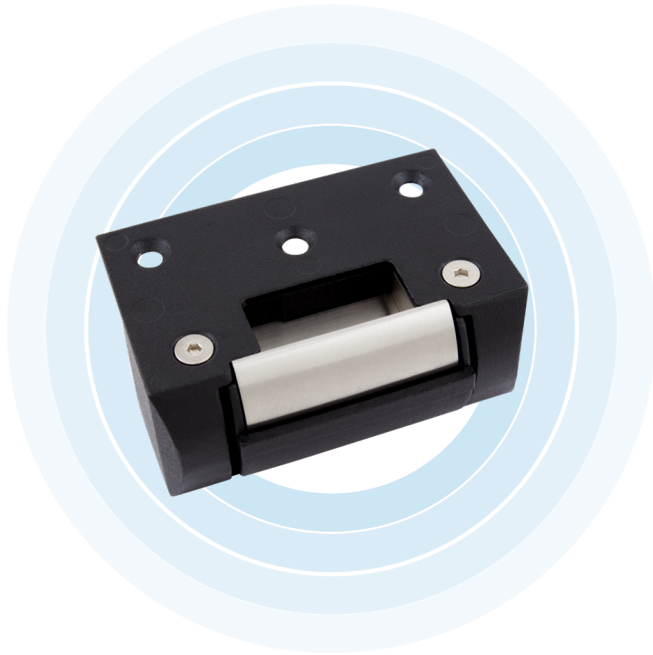


FES15 SERIES

ELECTRIC STRIKE – RIM MOUNTED



The FES15 Series electric strikes are designed for residential or light commercial applications where a rim mounted strike is required, such as pedestrian gates.

The FES15 Series accept either 12 or 24VDC and are fire tested up to a 4-hour fire rating under British and Australian Fire Test Standards (contact Allegion for more details).

The strikes are easily Power To Lock (PTL) / Power To Open (PTO) field interchangeable by simply changing over the barbell mechanism. The device comes with a 5 year warranty and has a holding strength of up to 1200kg.

The FES15M version has Door Status Sensor monitoring.

Technical Details

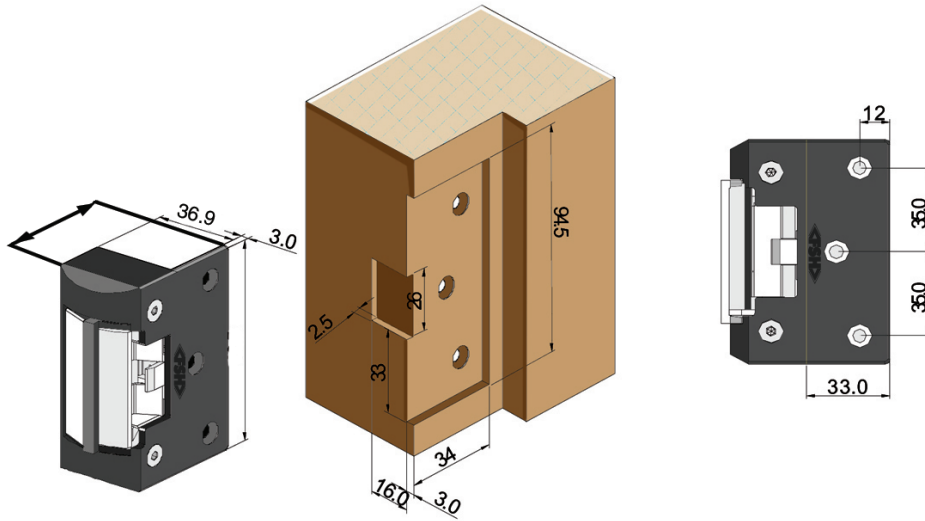
Part No.	FES15M	FES15
Function	Surface mount electric strike for rim latch control Power To Lock (PTL) / Power To Open (PTO) field interchangeable	
Holding Strength	Up to 1200kg	
Voltage/Current	Dual voltage 12VDC/24VDC. 200mA @12VDC. 100mA @ 24VDC	
Approvals	Up to 4-hour fire rating (contact Allegion for more details) CE/△	
Monitoring	Door status monitoring	Non monitored

Product Features

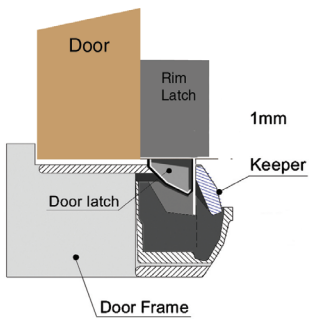
- Barbell mechanism for easy change of locking function
- Low power consumption
- Superior holding strength of up to 1200kg
- 5 year warranty
- 12 or 24VDC operation
- Surface mount for rim locks
- CE/△

Product Dimensions and Installation

Timber door frame - cut out



Mechanical door lock configuration



Product Codes & Accessories

Part No.	Product Description
FES15M	ELECTRIC STRIKE RIM MOUNTED, MONITORED
FES15	ELECTRIC STRIKE, RIM MOUNTED - NON-MONITORED