

PRODUCT FSS1 HIGH SECURITY DOOR MONITORING SENSOR



FSS1 SERIES

PRODUCT DESCRIPTION


The FSS1 Series of High Security Door Monitoring Sensor are designed to provide a true high security solution for door position monitoring.

It is a state-of-the-art monitoring solution with a flush mount version for new construction, and surface mount version as a superior replacement for traditional magnetic balanced reed sensors.

Specifically developed for high security applications in government and military installations, the FSS1 Series High Security Door Monitoring Sensor consist of seven magnetic sensors that are used to detect a unique magnetic footprint from an array of magnets on the magnetic face plate. One sensor is used to detect the position of the magnetic face plate in relation to the device, while the other six sensors are used to determine the polarity, size, strength and position of the magnets on the unique magnetic face plate in relation to the memorised pattern. The FSS1 is equipped with sophisticated anti-tamper facilities.

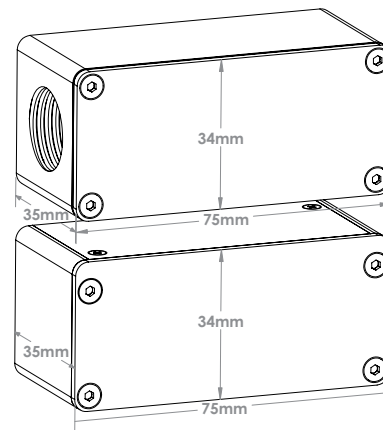
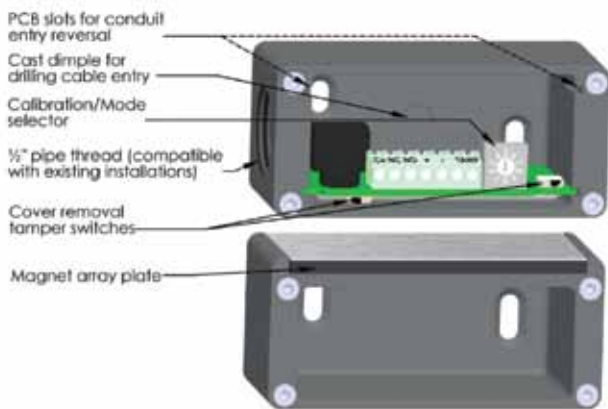
The product is listed in the Security Equipment Evaluated Product List (SEEPL)

TECHNICAL DETAILS

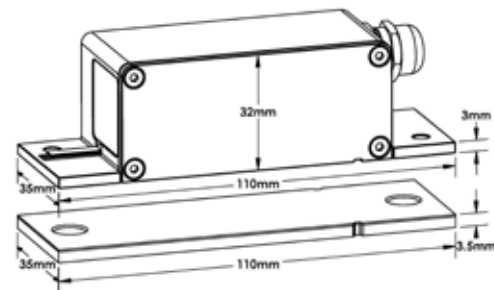
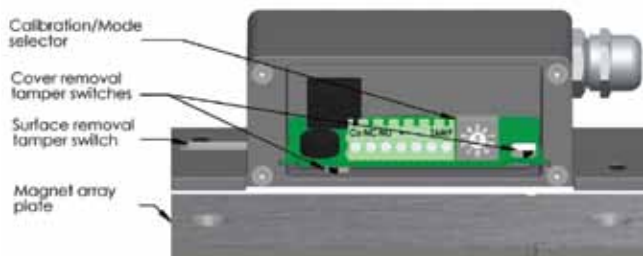
PART NO.	FSS1-S / FSS1-S-NC	FSS1-F
FUNCTION	FSS1-S - Surface mount conduit version FSS1-S-NC -Surface mount no conduit version	Flush mount version (morticed)
VOLTAGE/CURRENT	10 – 30VDC/typically 50mA	
SECURITY TAMPER PROOF LEVEL	Highest (SL4)	
ALARM & TAMPER CONTACTS	N.C. common N.O., 0.2A @ 30V plus changeover contacts for access control system	
TOLERANCE	Door Gap 1 – 7mm Door Movement 15mm	
END OF LINE COMPATIBILITY	Space for type 1 & 2 modules	
DIMENSIONS	L=75mm H=34mm D=35mm	L=110mm D=32mm W=35mm
APPROVALS	Rated to IP67 RCM Compliant  SCEC Approved, Security Level 4 (SL4) rated	
ARRAY MAGNETS	Up to 8 magnets for unique magnetic footprint	
HALL EFFECT SENSORS	7	
PATENTS	Patents granted and pending worldwide based on PCT/AU2014/000210	
MANUFACTURE	Designed & Manufactured in Australia	

PRODUCT DIMENSIONS

FSS1-S SURFACE MOUNT CONDUIT VERSION FSS1-S-NC SURFACE MOUNT NO CONDUIT VERSION



FSS1-F FLUSH MOUNT VERSION



SPECIFICATION TEXT HIGH SECURITY DOOR MONITORING SENSOR FSS1

The contractor shall provide a High Security Door Monitoring Sensor "HSDMS" on each nominated door and/or location. The HSDMS must be SCEC approved to minimum SL4. The HSDMS must be on-site reprogrammable by the installer.

The High Security Door Monitoring Sensor shall utilise a minimum of seven magnetic sensors, one of which will enable magnetic positioning to marry up with a unique magnetic array plate in relation to the installed device.

The HSDMS will be capable to operate with door to frame gaps up to a maximum of 7mm and shall accommodate end-of-line modules being securely situated within the HSDMS enclosure.

The HSDMS shall have at least two tamper switches to detect unauthorized removal of the sensor cover. In addition, the HSDMS Flush Mount Version shall have a separate tamper

switch to detect the removal of the device from the door frame in which it is mounted.

The HSDMS shall be available as a Flush Mount, a Surface Mount with facility to accommodate conduit cable entry and Surface Mount unit with provision for cable entry from the rear.

The Flush Mount HSDMS must be fitted with mounting tabs and shall be 110mm long, 32mm deep and 35mm wide. The Surface mount HSDMS will be inclusive of threaded entry to accommodate the fitting of conduit and shall be 75mm long, 34mm high and 35mm deep.

The Surface mount "Non Conduit Version" HSDMS will exclude threaded entry, allowing for installer tailored "Rear Entry" of cabling and shall be 75mm long, 34mm high and 35mm deep.