

Electric Strikes

GK300 Series

Durable, Versatile Strikes for Residential and Business

SECURITY



The GK300 series ANSI electric strikes are designed for use with cylindrical locksets. It can be fitted to a wide range of applications and is field reversible for fail-safe or fail-secure operation.

Standard Features

- Non-handed fully reversible
- Field reversible fail-safe or fail-secure
- Static strength: 1,000 lbs (454Kg)
(GK330ST, GK360, GK370, GK371 :
1,500 lbs (680 kg)
- Dynamic strength: 50 ft-lbs
(GK360: 70 ft-lbs)
- Endurance rating: 250,000 cycles UL tested,
1,000,000 cycles factory tested
- Brushed stainless steel (US32D) finish
- Latch monitor (For models with M suffix)

Patents, Approvals, and Listings

- UL1034 burglary-resistant listed:BP10269
(Except GK320, GK321, GK350, GK370 related models)
- UL 294 Access Control System listed:BP10269
(Except GK320, GK321, GK350, GK370 related models)
- UL 10B/10C Positive Pressure Fire Test
of Door Assemblies (GK360-ST Dual 12/24 series)
- CE: EC741012-01
- Patent: Australia - 2018101170 (GK360)



GIANNI INDUSTRIES, INC.

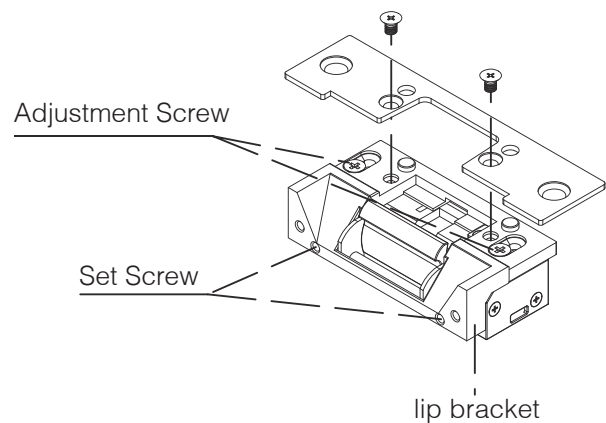
Tel: +886-2-2267-7986 Fax: +886-2-2267-9876
www.gianni.com.tw inquiry1@gianni.com.tw

GK300 Series ANSI Electric Strikes

Models	UL	Voltage (VDC)	Current Draw	Latch Throw	Latch Monitor	Static Strength	Frame	Mount	Body Construction
GK300	SECURITY UL LISTED	12, 24, or dual 12/24	280mA/12VDC or 140mA/24VDC 300mA/12VDC, 150mA/24VDC	9/16" (15mm)	Optional	1,000 lbs	Hollow Metal	Mortise	Zinc alloy
GK300-ST					Optional	1,000 lbs	Hollow Metal	Mortise	Stainless steel
GK301					Optional	1,000 lbs	Wood	Mortise	Zinc alloy
GK301-ST					Optional	1,000 lbs	Wood	Mortise	Stainless steel
GK310					Optional	1,000 lbs	Hollow Metal	Mortise	Zinc alloy
GK310-ST					Optional	1,000 lbs	Hollow Metal	Mortise	Stainless steel
GK311					Optional	1,000 lbs	Wood	Mortise	Zinc alloy
GK311-ST					Optional	1,000 lbs	Wood	Mortise	Stainless steel
GK320	-	-	250 mA/12 VDC, 150 mA/24 VDC	3/4" (19mm)	Optional	1,000 lbs	Hollow Metal	Mortise	Zinc alloy
GK321				Optional	1,000 lbs	Wood	Mortise	Zinc alloy	
GK330ST			9/16" (15mm)	-	1,500 lbs	Hollow Metal	Mortise	Stainless Steel	
GK350			9/16" (15mm)	Optional	1,000 lbs	Wood	Surface	Zinc alloy	
GK360	SECURITY UL LISTED	Dual 12/24	300mA/12VDC, 150mA/24VDC	3/4" (19mm)	Optional	1,500 lbs	Hollow Metal	Mortise	Zinc alloy
GK360-ST					Optional	1,500 lbs	Hollow Metal	Mortise	Stainless steel
GK361					Optional	1,500 lbs	Wood	Mortise	Zinc alloy
GK361-ST					Optional	1,500 lbs	Wood	Mortise	Stainless steel
GK370	-	-	-	9/16" (15mm)	Optional	1,500 lbs	Hollow Metal	Mortise	Zinc alloy
GK370-ST					Optional	1,500 lbs	Hollow Metal	Mortise	Stainless steel
GK371					Optional	1,500 lbs	Wood	Mortise	Zinc alloy
GK371-ST					Optional	1,500 lbs	Wood	Mortise	Stainless steel

Horizontal Adjustment (For GK370 Only)

Loosen the adjustment screws and shift the lip bracket to the proper horizontal position (7 mm range adjustable). Tighten the adjustment screws and secure the lip bracket with the set screws.





GK300/GK300-ST
1 3/4" (45mm) keeper width



GK301/GK301-ST
1 3/4" (45mm) keeper width



GK310/GK310-ST
1 7/16" (36mm) keeper width



GK311/GK311-ST
1 7/16" (36mm) keeper width



GK320
1 7/16" (36mm) keeper width



GK321
1 7/16" (36mm) keeper width



GK330ST
1 7/16" (36mm) keeper width



GK350
1 9/16" (40mm) keeper width



GK360/GK360-ST
1 7/16" (36mm) keeper width



GK361/GK361-ST
1 7/16" (36mm) keeper width

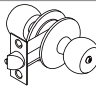


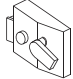


GK370/GK370-ST
1 7/16" (37mm) keeper width



GK371/GK371-ST
1 7/16" (37mm) keeper width

Lockset Application (Note: Lockset is Not sold with electric strike model.)

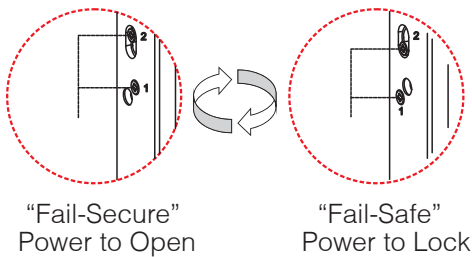
Electric Strike Models	Locksets
GK300, GK301, GK310, GK311, GK320, GK321 GK330, GK360, GK361, GK370, GK371	Cylindrical Lockset with center lined latchbolt 
GK310, GK311, GK320, GK321, GK330 GK360, GK361	GEM-470R/470L (Mortise Deadlatch) Lockset with center lined latchbolt 
GK320, GK321	Mortise Mortise lockset without a deadbolt 
GK350	Night Latch Rim lockset 

*Above models include model number with or without the "M" and/or "ST" suffix.

Changing Fail-Safe or Fail-Secure

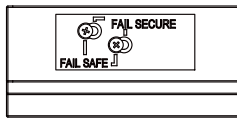
Fail-safe or Fail-secure is field reversible by changing the position of screws.

Moving screws to fail-safe/fail-secure position

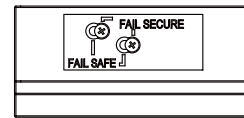


Changing screw position at fail-safe/fail-secure hole
(For GK360)

Fail-Safe:

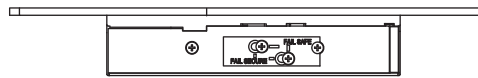


Fail-Secure:



(For GK370)

Fail-Safe:

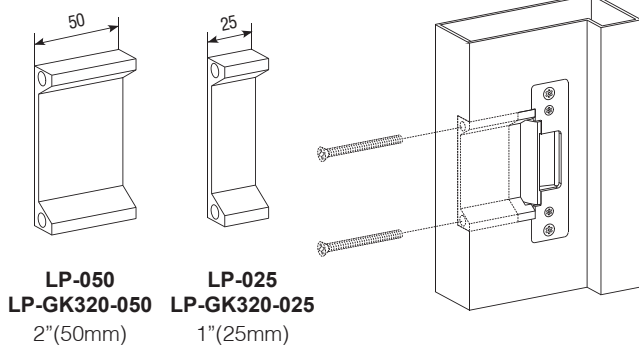


Fail-Secure:



Accessories

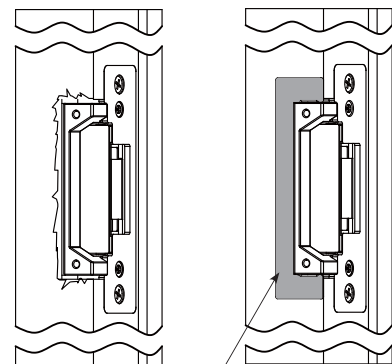
Lip Extensions (Optional)



Lip extensions are provided to meet the needs of a particular jamb width.

GK330 cannot be extended with lip extensions.

Trim Plate

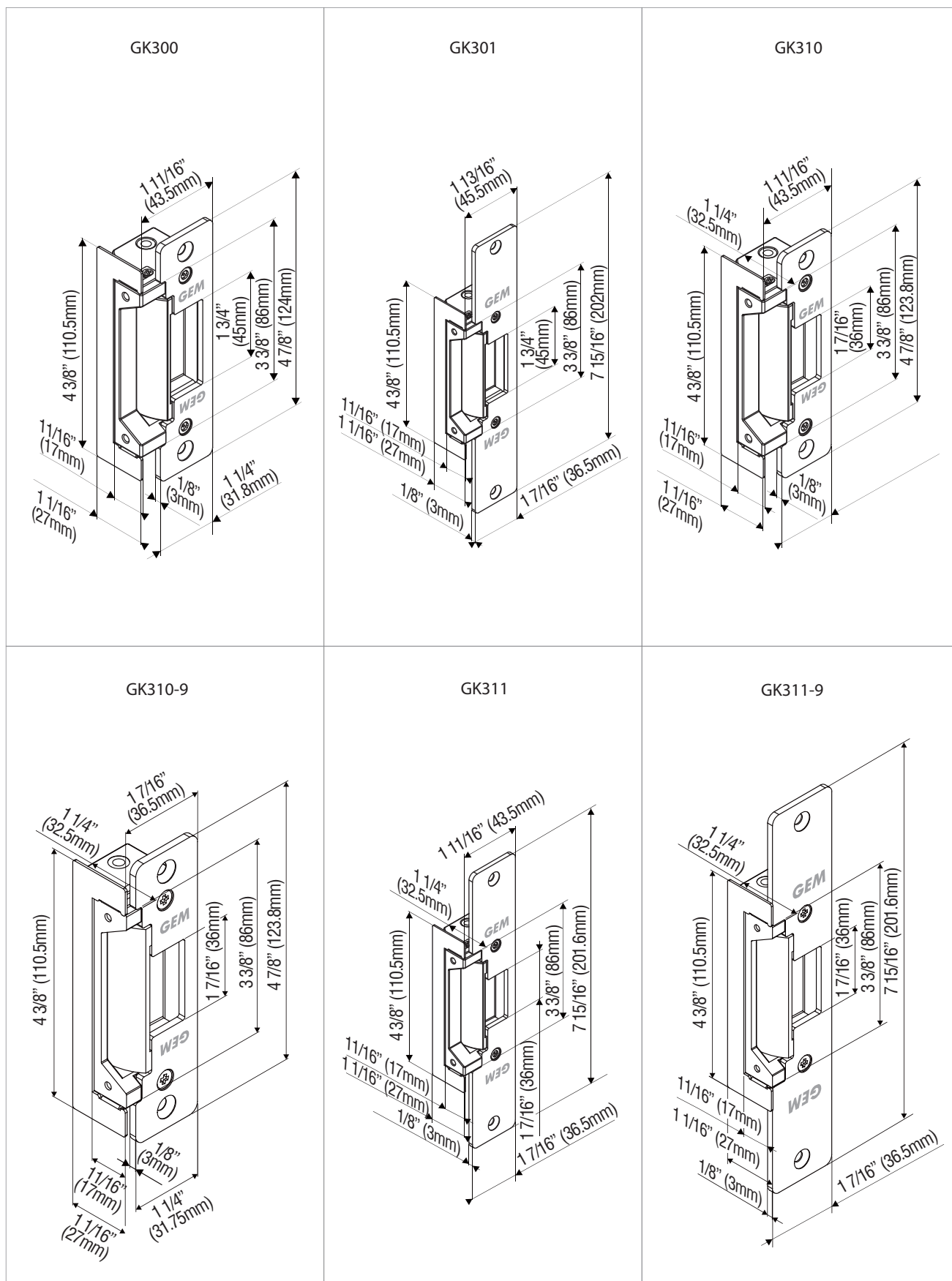


Trim plate

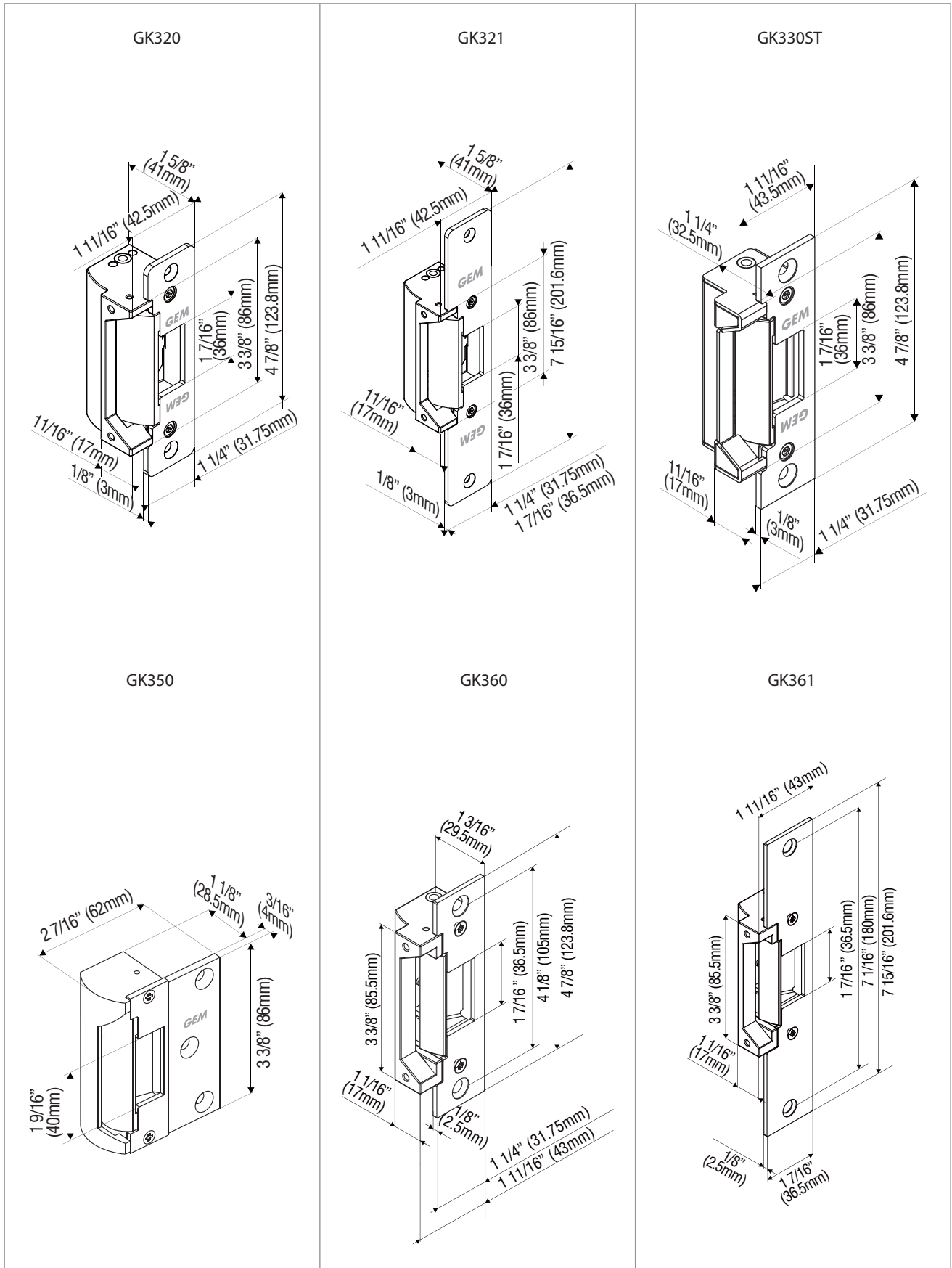
Trim plate is used to cover any imperfections caused while prepping the frame cut out.

* All GK300 series includes a trim plate except GK320, GK321, GK330 and GK370 (with or without M suffix).

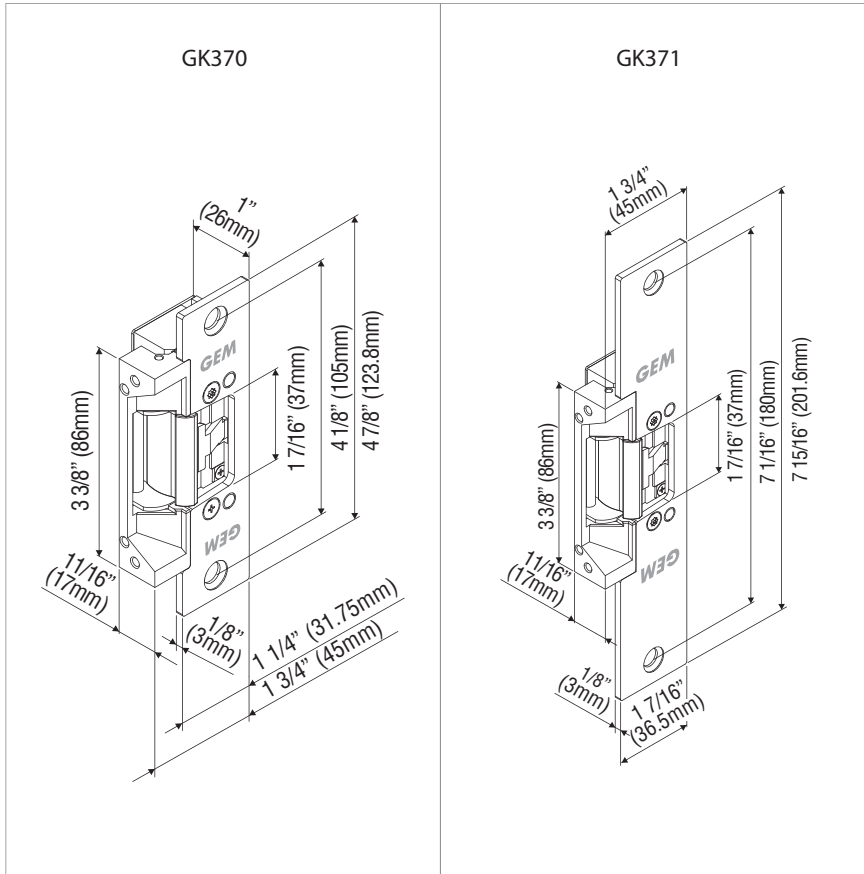
Dimensions



Dimensions



Dimensions



Warranty

The product is warranted against defects in material and workmanship while used in normal service for a period of 3 years from the date of sale to the original client. The GEM policy is one of continual development and improvement; therefore GEM reserves the right to change specifications without notice.