

Electric Strikes

GK700 Series

Durable Strikes for Residential and Business



GK750N



GK760



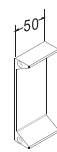
GK770

The GK700 series European electric strike is designed for use with European latches or cylindrical locks and can be installed in metal or wood frames. It includes a latch monitor and is field reversible for fail-safe or fail-secure operation. The GK760/770 is recommended for use in wood frames.

Standard Features

- Field reversible fail-safe or fail-secure
- Non-handed fully reversible
- Brushed stainless steel finish
- Latch monitor (Except GK770)
- Accommodates 18mm latchbolt
- Zinc alloy construction
- Static strength 1,500 lbs (680Kg)
- Endurance 1,000,000 cycles

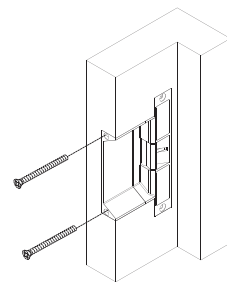
Optional Accessories Lip Extensions



LP-GK750-050
(50mm)

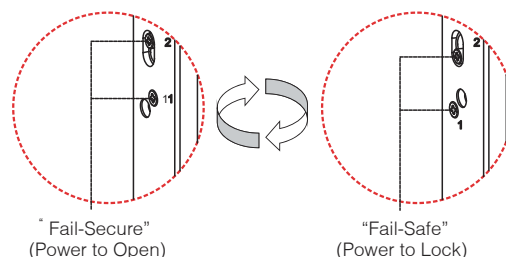


LP-GK750-025
(25mm)



Changing Fail-Safe /Fail-Secure

Fail-safe or fail-secure is field reversible by changing the position of screws.



"Fail-Secure"
(Power to Open)

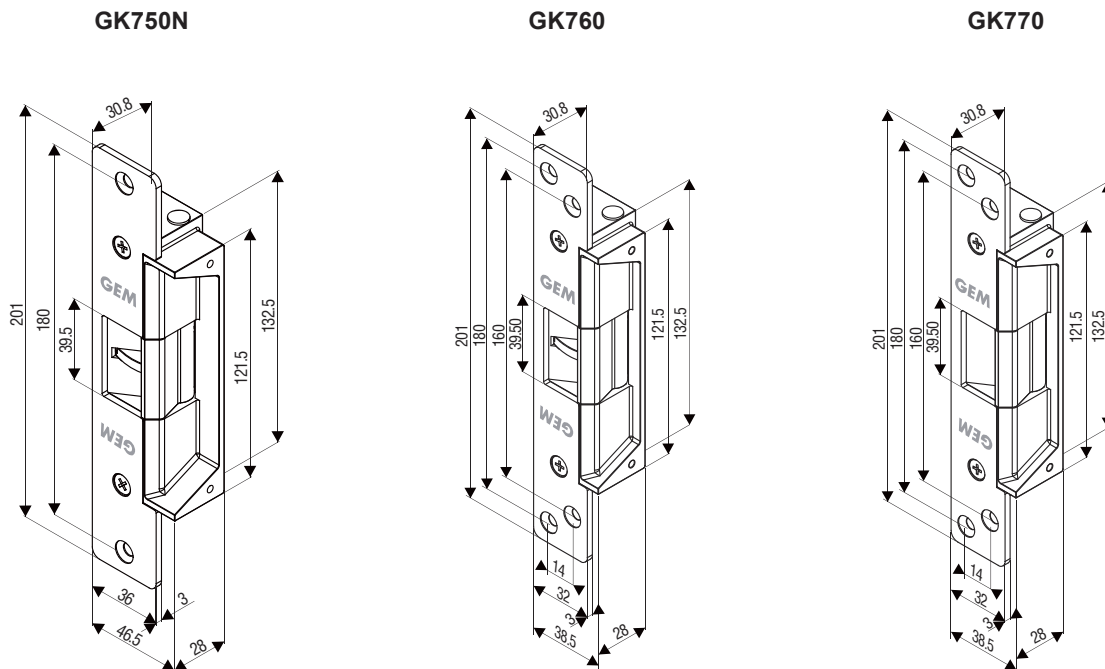
"Fail-Safe"
(Power to Lock)



GK700 Series European Electric Strikes

Models	Voltage (VDC/AC)	Latch Monitor	Latch Monitor	Latch Throw (mm)	Field Reversilbe Fail-Safe Or Fail-Secure
GK750N	12~28	230mA/12VDC, 140mA/28VDC 440mA/12VAC, 230mA/28VAC	●	18	●
GK760	12~28	230mA/12VDC, 140mA/28VDC 440mA/12VAC, 230mA/28VAC	●	18	●
GK770	12~28	230mA/12VDC, 140mA/28VDC 440mA/12VAC, 230mA/28VAC	—	18	●

Dimensions



All dimensions in mm

Warranty

The product is warranted against defects in material and workmanship while used in normal service for a period of 3 years from the date of sale to the original client. The GEM policy is one of continual development and improvement; therefore GEM reserves the right to change specifications without notice.