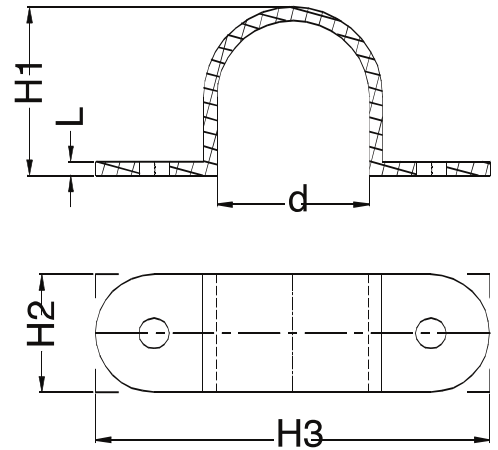


SADDLE PLASTIC PVC



mm

d

L

H1

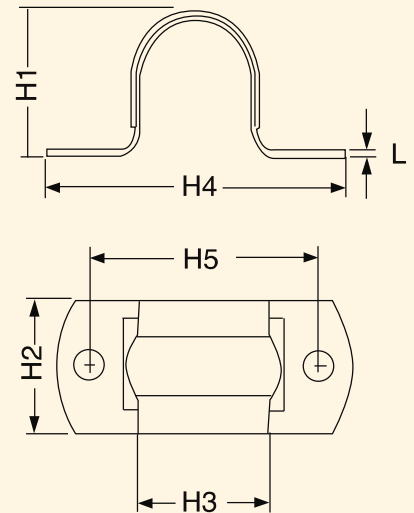
H2

H3

CODE	mm	d	L	H1	H2	H3
HPPSDL20MD	20	19.6	2.2	21.4	19	63.6
HPPSDL25MD	25	24.5	2.2	27.2	19	63.5
HPPSDL32MD	32	31.2	2.6	34.6	19	71.2

FULL METAL SADDLE

- Galvanized: G
- zinc plated: P



mm

H1

H2

H3

H4

H5

L

CODE	mm	H1	H2	H3	H4	H5	L
HPPFS20 G	20	23	16	20	49	38	0.8
HPPFS20 P	20	23	16	20	49	38	0.8
HPPFS25 G	25	26.5	19	25	63	48	1.0
HPPFS25 P	25	26.5	19	25	63	48	1.0
HPPFS32 G	32	35	25	32	77	60	1.2
HPPFS32 P	32	35	25	32	77	60	1.2