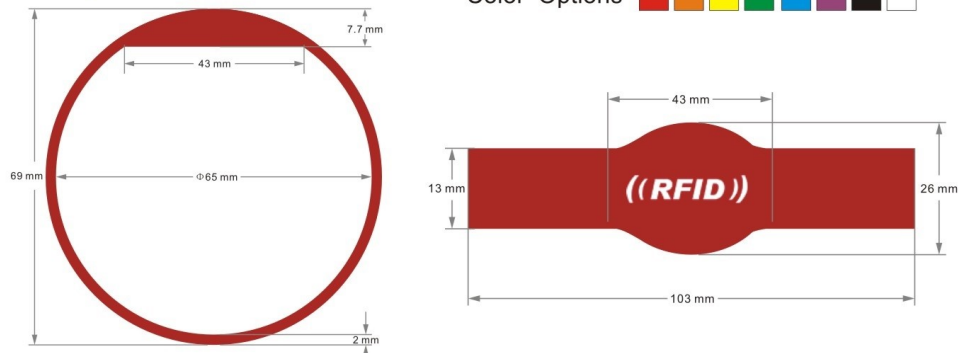


G01-02 Silicone Series

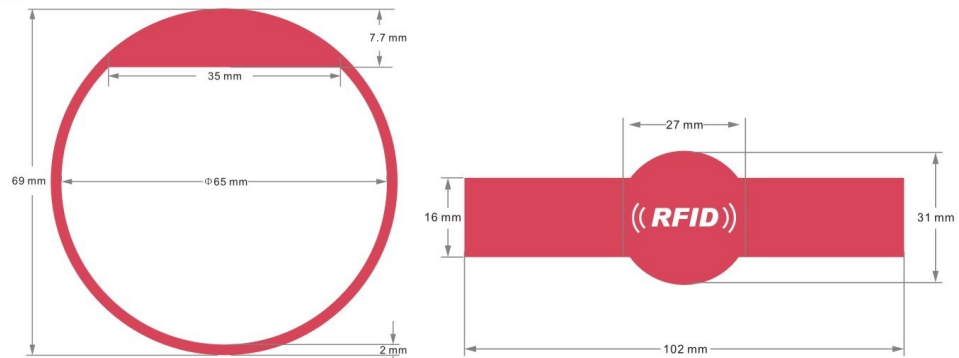
Product Size

G01 Ellipse shape



G01 Series:G01-45、 G01-50、 G01-55、 G01-60、 G01-65、 G01-70、 G01-74 , The end number means diameter

G02 Roundness shape



G02 Series:G02-45、 G02-50、 G02-55、 G02-62、 G02-65、 G02-70、 G02-74 , The end number means diameter



Product Introduction

Material: Silicone
Color Options: Blue, Red, Black, White, Yellow, Grey, Green, Pink etc

Product Features

Waterproof, moistureproof, and resistant to high temperature.

Low Frequency 125KHz chips: TK4100, EM4200, EM4305, T5577, Hitag series etc

High Frequency 13.56MHz chips: FM11RF08, NXP Mifare S50, NXP Mifare S70, Ultralight (C), NTAG213, NTAG215, NTAG216, Topaz 512, I-CODE series, TI2048, Mifare Desfire 2K (4K, 8K), Mifare Plus 2K(4K) etc

Ultra High Frequency 860MHz-960MHz chips: U-CODE GEN2, Alien H3(H4), Impinj M4(M5) etc

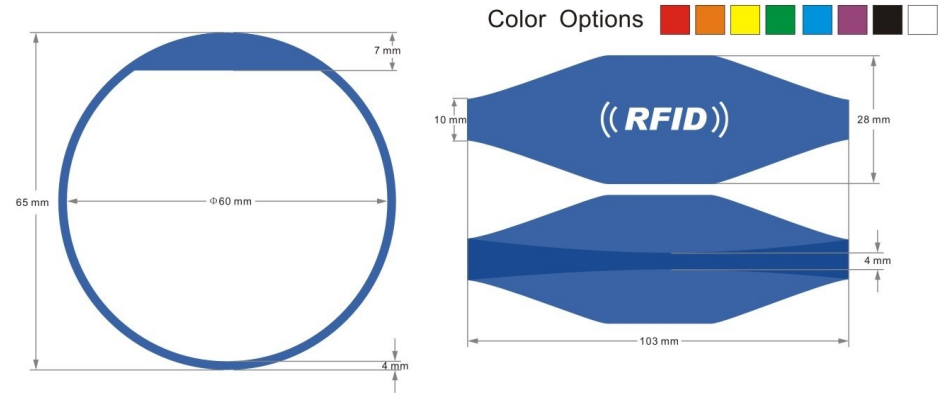
Working Temperature: -30°C~220°C

Applications: Widely used on Campuses, Amusement Parks, Buses, Access Control Areas, Concerts etc

G03-04 Silicone Series

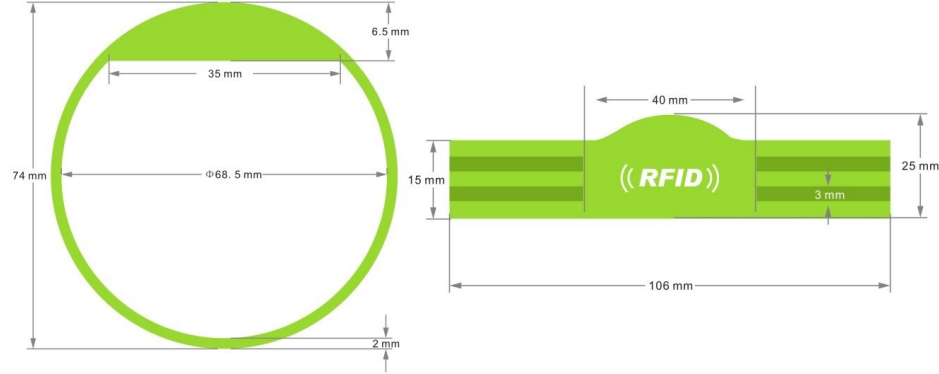
Product Size

G03



G03 Series:G03-60、 G03-64、 G03-67 , The end number means diameter

G04



G04 Series:G04-58、 G04-62、 G04-68.2 , The end number means diameter

Product Introduction

Material: Silicone
Color Options: Blue, Red, Black, White, Yellow, Grey, Green, Pink etc

Product Features

Waterproof, moistureproof, and resistant to high temperature.

Low Frequency 125KHz chips: TK4100, EM4200, EM4305, T5577, Hitag series etc

High Frequency 13.56MHz chips: FM11RF08, NXP Mifare S50, NXP Mifare S70, Ultralight (C), NTAG213, NTAG215, NTAG216, Topaz 512, I-CODE series, TI2048, Mifare Desfire 2K (4K, 8K), Mifare Plus 2K(4K) etc

Ultra High Frequency 860MHz-960MHz chips: U-CODE GEN2, Alien H3(H4), Impinj M4(M5) etc

Working Temperature: -30°C~220°C

Applications: Widely used on Campuses, Amusement Parks, Buses, Access Control Areas, Concerts etc

