

FAST Security Connector System

Datasheet

FAST Connectors for joining card readers and locks to security cable.

Strip, twist and insert, job done.

Options for Wiegand, RS485 & OSDP readers.

Applications

- Quick connection of card reader tails to security cable
- Wiegand, RS485 & OSDP protocols
- Lock & power cable connections
- Access control systems
- Wiegand and RS485 code pads
- RS485 daisy chain and termination

Features

- Secure quick connect spring clamp terminals
- Colour coded terminals
- Compact size to fit into wall cavities, duct and door frames
- No solder, crimps or screw terminals

Benefits

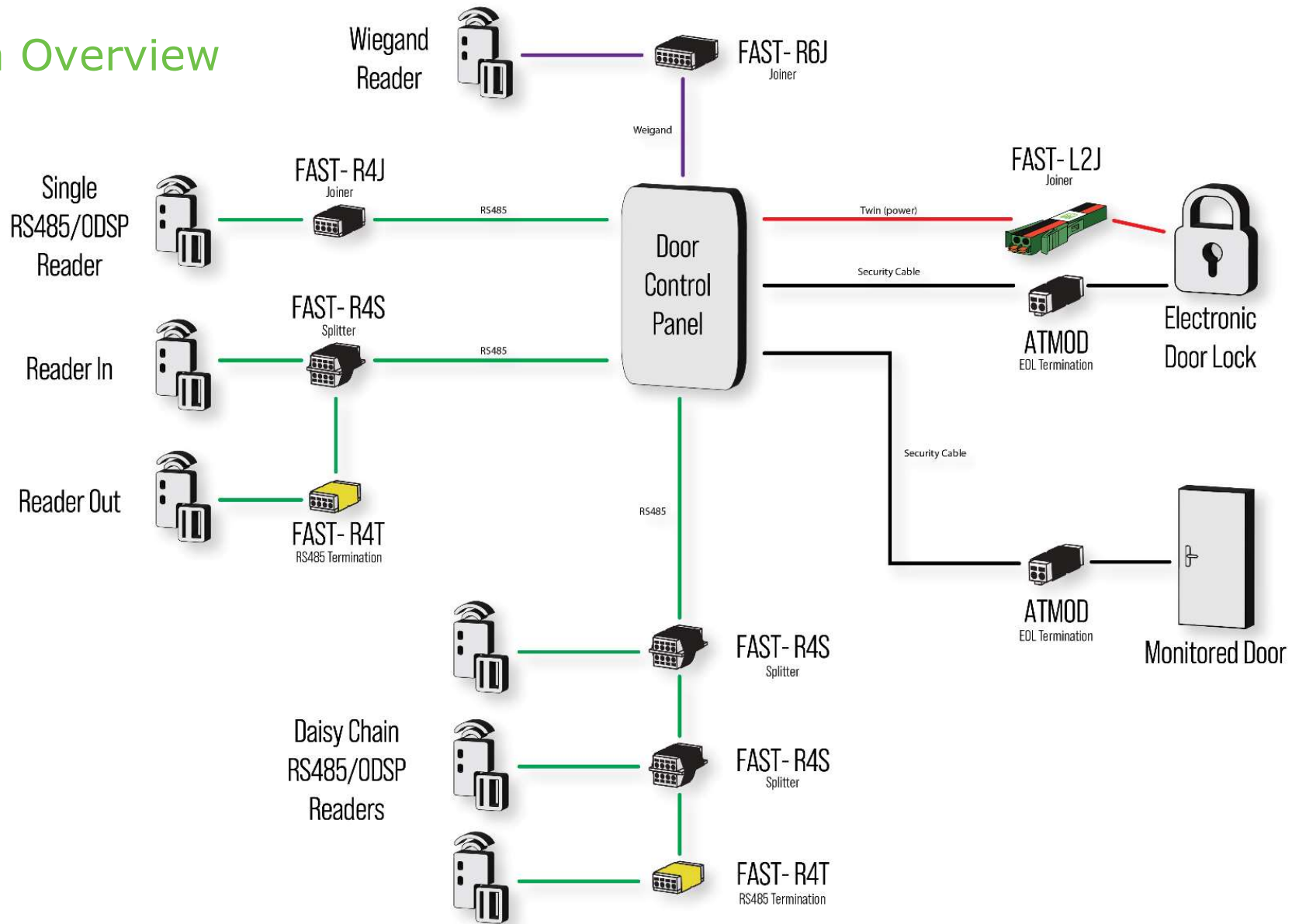
The FAST Connector System saves time and helps eliminate faults associated with traditional solder, crimp or screw terminal connection methods.

Suitable for solid or stranded conductors. Just strip the conductor and insert into the appropriate colour coded terminal.

The FAST Connector System can be quickly fitted in advance to security peripherals, thus saving costly on-site labour hours.

Service replacement of equipment is also more efficient thanks to quick removal and connection facilitated by the FAST Connector system. The same connector can be re-used multiple times.

System Overview



FAST Connector System Variants

FAST-R6J – Wiegand Reader Joiner



The FAST-R6J is designed for six core reader cable. It transfers power, data, LED and buzzer control.

FAST-R4J – RS485/OSDP Reader Joiner



The FAST-R4J suits four core reader connections such those using RS485/OSDP protocols. The FAST-R4J is used where RS485 line termination is not required, or the card reader has a built-in termination option.

FAST-R4S – RS485/OSDP Reader Splitter



The FAST-R4S allows one RS485 cable to be joined into two readers or other RS485 cables. This is useful for connecting entry and exit readers to one cable. It is also useful for RS485 daisy chaining. That is, linking multiple readers on a single cable run.

FAST-R4T – RS485/OSDP Reader Termination



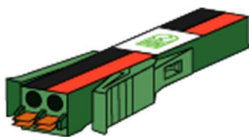
The FAST-R4T includes an on-board RS485 termination resistor. A resistor typically should be used at the last RS485 device to terminate the transmission line and help ensure reliable data communication.

Two models are available to suit different RS485 terminations.

FAST-R4T-120 (120 Ω - Yellow) suits most RS485 card readers including HID and Gallagher.

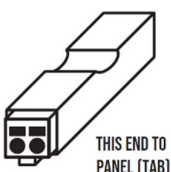
FAST-R4T-330 (330 Ω - Red) suits ICT (Protégé) card readers.

FAST-L2J – Lock Cable Joiner



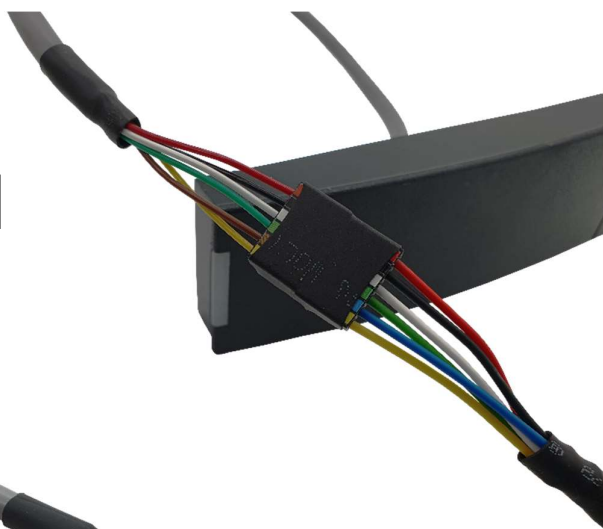
The FAST-L2J is a two-part, quick connect terminal block that accepts large gauge power cable and is primarily used to quickly connect power cables to electric locks.

ATMOD – Quick Connect EOL Resistor Pack



The ATMOD compliments the FAST connector system and uses the same connectors to allow efficient installation of End of Line resistor networks for security applications such as reed switches, exit buttons and electronic lock monitoring.

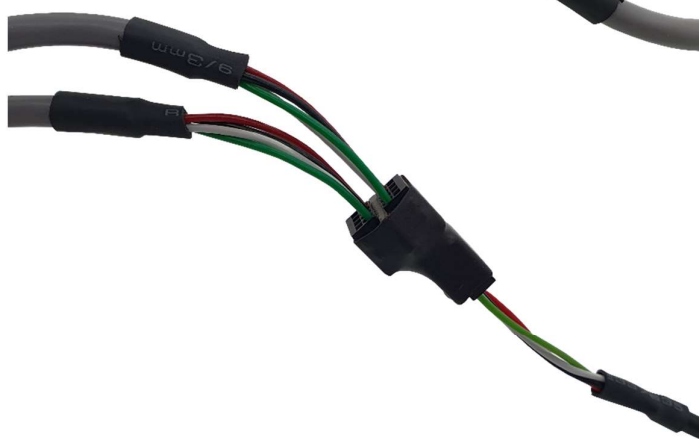
FAST-R6J – Weigand Reader Joiner



FAST-R4J – RS485 Reader Joiner



FAST-R4S – RS485 Splitter



FAST-L2J – Power Cable Joiner

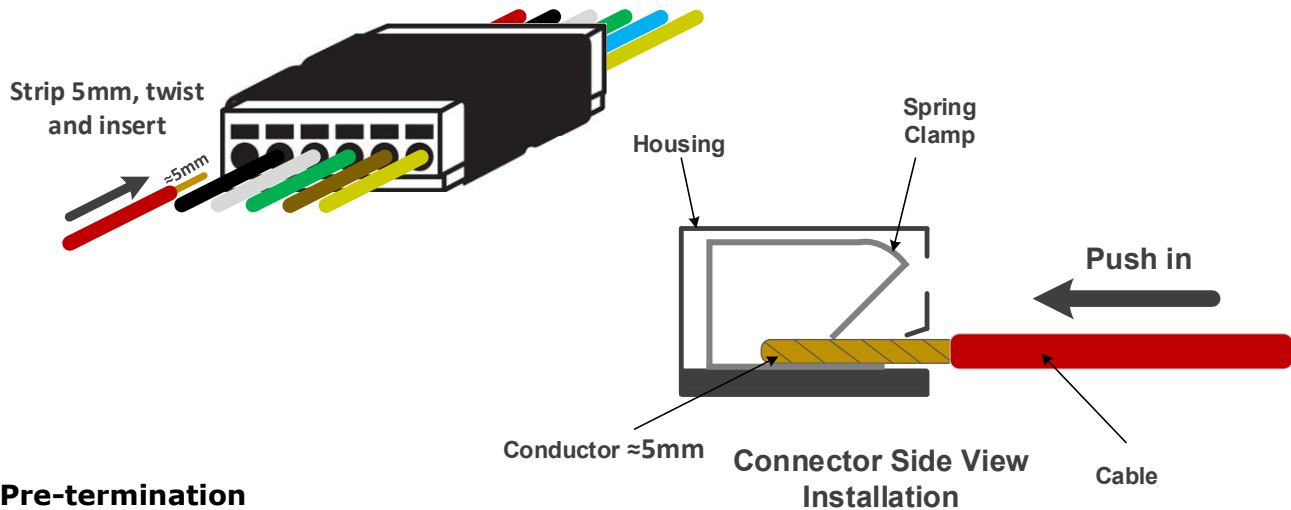


FAST Connector System Terminals

Reader Connectors - Installation

The FAST reader connectors use secure, quick connect spring clamp terminals. The individual conductor connections are colour coded to help ensure correct termination. The colour coding also helps installers keep the orientation of the connector consistent.

Terminating security cable to the connectors is simple. Strip approximately 5mm of sheath from each conductor, twist stranded conductors tightly and insert into the appropriate terminal. No terminal driver is required for installation.



Pre-termination

The FAST connectors can be fitted to the card reader cable ahead of time, thus making on-site installation more efficient and/or able to be completed by less skilled labour.



Technical Data

R4(J/T/S) & R6J Conductor size	.2 - .5mm ² (24-20AWG)
R4(J/T/S) & R6J Max current	2A (red and black trace only)
L2J Conductor Size	.08 - 1.5mm ² (28-16AWG)
L2J Max current	6A
Suitable for stranded conductors	Yes
Suitable for solid conductors	Yes
Dimensions	LXWXH (mm)
R6J	20.5 X 17 X 8
R4J	20.5 X 12 X 8
R4S	22.5 X 17.5 X 13
R4T	22 X 12.5 X 8
L2J	40 X 18 X 8
RoHS	Compliant
AUS/NZ (RMC-EMC) 61000.6.3	Compliant
Primary materials	Polyamide 46, fiberglass, polyolefin
Country of origin	China

Ordering Code

FAST-R6J	6-way quick connect joiner for Wiegand/6 core card readers
FAST-R4J	4-way quick connect joiner for RS485/OSDP/4 core card readers
FAST-R4S	4-way quick connect splitter for RS485/OSDP/4 core card readers
FAST-R4T-120	4-way quick connect terminator for RS485/OSDP - 120Ω
FAST-R4T-330	4-way quick connect terminator for RS485/OSDP - 330Ω
FAST-L2J	2-Way pluggable quick connect joiner for power cable
ATMODXXX	See ATMOD data sheet for more details
ADI	Automatic Door/Gate Interface Module

Note: All FAST connectors are supplied in a pack of 10.

Learning

Become a **Jack Fuse Product and Power Certified Technician**. Free training available online.

More Information: For complete installation notes, data sheets and technical support please visit www.jackfuse.com

