

# MCP Indoor Call Point Range

## Double Pole Changeover Contact Model (Colour Versions)



### > Product Benefits

- Unique 'Plug & Play' installation concept
- Total 'Flex-Ability' in the choice of operating element
- Anti-Tamper facility
- Enhanced aesthetics
- Backward compatibility



### Product Overview

Installation efficiency and flexibility are at the heart of the new MCP indoor call point range.

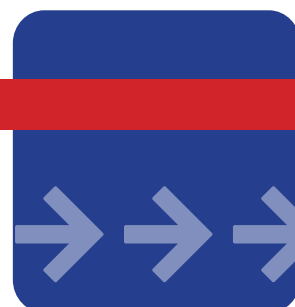
Installation time and ultimately cost, are of paramount importance to any fire or security installer. The MCP range directly reflects this need by providing a unique 'plug and play' concept designed specifically to reduce installation time. All new MCP products utilise a special terminal block, where all initial installation cabling is terminated. This terminal block is then simply connected to the back of the MCP. Simple, but effective with no re-termination required and no time wasted.

Both break glass and resettable operating elements can now be used within a manual call point. To provide you with the greatest 'flex-ability', the new MCP range can be configured as either a break glass or resettable unit by simply changing from one element to another. No other additional parts or alternative products need to be ordered.

All MCP indoor call point products also help preserve the integrity of the overall system as illegal removal of the product lid will result in the call point operating and the system going into alarm.

The MCP4A product version is supplied with a double pole changeover set of contacts. The product utilises two terminal blocks and wiring to the relevant terminals on these terminal connector blocks provides either a 'normally open' or 'normally closed' operation (see wiring diagram overleaf).

All of our colour products can be supplied with a variety of markings to meet your specific requirements. Please contact our sales team for further information.

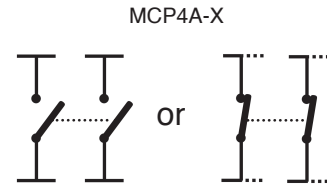




## Electrical Specification

Connection Details:	See Figure .1
Cable Termination:	0.5-2.5mm <sup>2</sup>
Maximum Voltage:	30VDC
Current Rating (switch only):	2 Amps

Figure .1

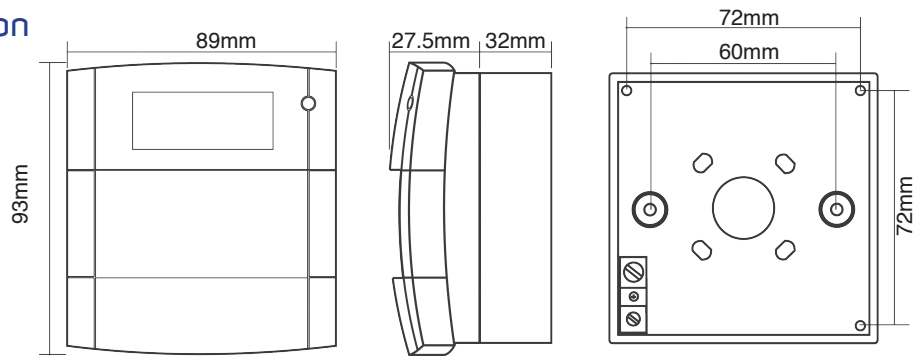


## Environmental Specification

Humidity:	0-95% non-condensing
Operating Temperature:	-10°C to +55°C
Storage Temperature:	-10°C to +55°C
Ingress Protection (IP) Rating:	IP24D

## Mechanical Specification

Material:	PC/ABS
Weight:	110g Flush 160g Surface
Colour:	Green, White, Yellow, Blue.



## Ordering Information

Model	Electrical Configuration	Colour	Mounting	Operating Element	Markings
<b>Stock</b>					
MUS4A-G000SG-12	N/O & N/C contacts 30VDC	Green	Surface	Glass	EDR
MUS4A-G000SF-12	N/O & N/C contacts 30VDC	Green	Surface	Flexi	EDR
MUS4A-W000SF-11	N/O & N/C contacts 30VDC	White	Surface	Glass	Plain
<b>Non stock</b>					
MCP4A-G000SG-11	N/O & N/C contacts 30VDC	Green	Surface	Flexi	Plain
MCP4A-Y000SG-11	N/O & N/C contacts 30VDC	Yellow	Surface	Flexi	Plain
MCP4A-W000SG-11	N/O & N/C contacts 30VDC	White	Surface	Flexi	Plain
MCP4A-B000SG-11	N/O & N/C contacts 30VDC	Blue	Surface	Flexi	Plain

N/O = Normally Open Contact  
N/C = Normally Closed Contact

### Accessories

Code	Description
SC070	Pack of Ten Test Keys
KG1 x5	Pack of Five Glass Elements
PS210	Flexible Operating Element
PS200	Plain Hinged Cover
SC071	Pack of Ten Terminal Blocks

> KAC Alarm Company Limited  
15-19 Trescott Road,  
Smallwood, Redditch,  
Worcestershire B98 7AH.  
England.  
Telephone: +44 (0) 1527 406655  
Fax: +44 (0) 1527 406677  
e-mail: marketing@kac.co.uk