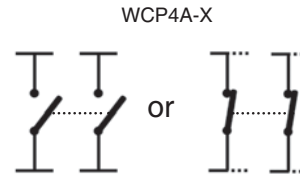


## Electrical Specification

Connection Details: See Figure .1  
 Cable Termination: 0.5-2.5mm<sup>2</sup>  
 Maximum Voltage: 30VDC  
 Switch Rating: 2 Amps

Figure .1

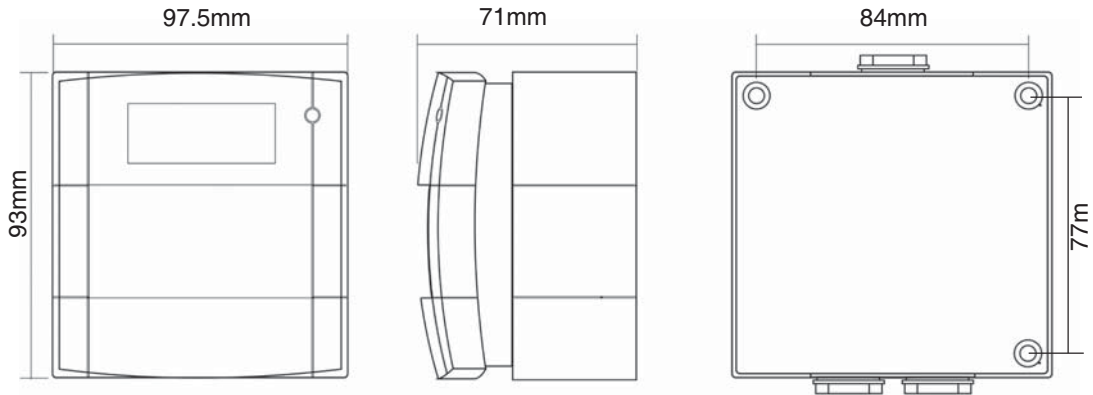


## Environmental Specification

Humidity: 0-95% non-condensing  
 Operating Temperature: -30°C to +70°C  
 Storage Temperature: -30°C to +70°C  
 Ingress Protection (IP) Rating: IP67

## Mechanical Specification

Material: PC/ABS  
 Weight: 240g  
 Colour: Red, Ral 3001



## Ordering Information

Model	Electrical Configuration	Mounting	Operating Element	Markings
Non-Stock				
WCP4A-R000SG-01	N/O & N/C Contacts 30VDC	Surface	Glass	EN54-11
WCP4A-R000SF-01	N/O & N/C Contacts 30VDC	Surface	Flexi	EN54-11

N/C = Normally Closed Contact  
 N/O = Normally Open Contact

Accessories	Description
Code	
SC070	Pack Of Ten Test Keys
KG1 x 5	Pack Of Five Glass Elements
PS210	Flexible Operating Element
PS200	Plain Hinged Cover
SC071	Pack Of Ten Terminal Blocks

### > KAC Alarm Company Ltd

KAC House, Thornhill Road,  
 North Moons Moat, Redditch,  
 B98 9ND, United Kingdom  
 Tel: +44 (0) 1527 406655  
 Fax: +44 (0) 1527 406677  
 e-mail: marketing@kac.co.uk