

2780 PANIC BOLT

Description

Surface mounted panic bolt (skeleton) with concealed fixing, frame keeper and floor plate.

Application

For use on the inactive leaf of double doors where a more robust and stronger bolt is required.

Features

Concealed panic bolts offer greater aesthetics and are highly suitable for doors with lesser stile widths. Standard throw is 50mm.

Available Lengths (x)

2780 - 300mm

2780 - 450mm

2780 - 600mm

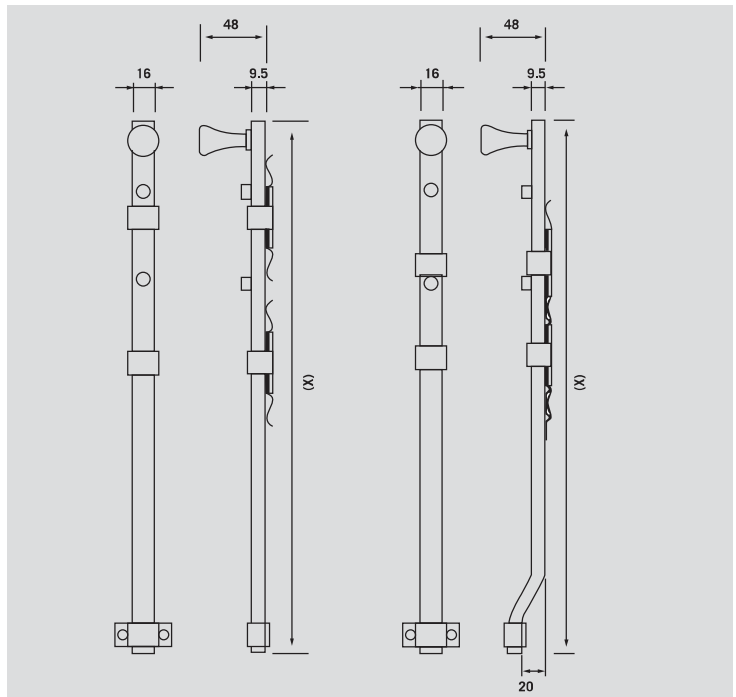
Offset Option

Surface mounted panic bolt (skeleton) with concealed fixing and 20mm offset

Available Offset Lengths (x)

2780 - OS - 600mm

Finish Satin Nickel Plate



2790 PANIC BOLT

Description

Surface mounted panic bolt (skeleton) with visible fixing, frame keeper and floor plate.

Application

For use on the inactive leaf of double doors where a more robust and stronger bolt is required.

Features

Standard throw of 50mm.

Available Lengths (x)

2790 - 300mm

2790 - 450mm

2790 - 600mm

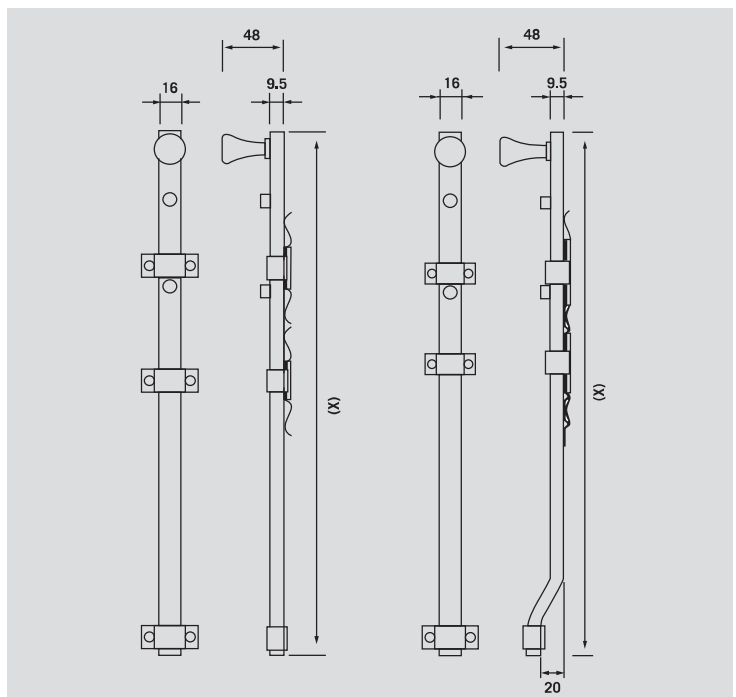
Offset Option

Surface mounted panic bolt (skeleton) with visible fixing and 20mm offset

Available Offset Lengths (x)

2790 - OS - 600mm

Finish Satin Nickel Plate



PANIC BOLT ACCESSORIES

Optional Accessories

2785 Standard Floor Plate

2787 Frame Keeper*

2788 Angle Top Plate

Finish

Satin Nickel Plate*

Satin Stainless Steel

