

EM3500 SERIES

Single Door Monitored & Non Monitored

EM3500 DESCRIPTION

The **LOX EM3500** Series product line is a comprehensive Electro Magnetic Lock range with up to **280kg** holding force. It is one of the most reliable and most successful Electro Magnetic Locks in the Australian market.

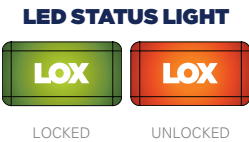
THE MONITORED MAGNETIC LOCKS HAVE:

- A built-in Hall Effect Sensor for monitoring the lock/unlock status of the locking device (LSS – Lock Status Sensor)
- A built-in reed switch contact for monitoring the open/closed status of the door (DSS – Door Status Sensor)
- Highly visible red/green LED Status Light
- Anti-Tamper-Fixing-Plate (monitored version only) to avoid hostile attacks targeted on the dome-nut-fixing bolt of the Armature Plate




EM3500
NON MONITORED SINGLE ELECTRO MAGNETIC LOCK

EM3500M
MONITORED SINGLE ELECTRO MAGNETIC LOCK



SPECIFICATIONS

EM3500	SINGLE ELECTRO MAGNETIC LOCK NON MONITORED
EM3500M	SINGLE ELECTRO MAGNETIC LOCK MONITORED
HOLDING STRENGTH	UP TO 280KG, TESTED TO 1 MILLION CYCLES
VOLTAGE/CURRENT	DUAL VOLTAGE 12/24VDC 12VDC = 530mA 24VDC = 260mA
APPROVALS	UP TO 4 HOUR FIRE RATED TO A.S STANDARD, CE & C-TICK 
LSS MONITORING	LSS LOCK STATUS SENSOR (HALL EFFECT)
DSS MONITORING	DOOR STATUS SENSOR (REED SWITCH)
LED LIGHT STATUS	LED LIGHT STATUS INDICATES LOCKED OR UNLOCKED STATUS
ENVIRONMENTAL	OPERATIONAL TEMPERATURE RANGE - 20 DEG. C TO 60 DEG. C.

LOX
LOCKING

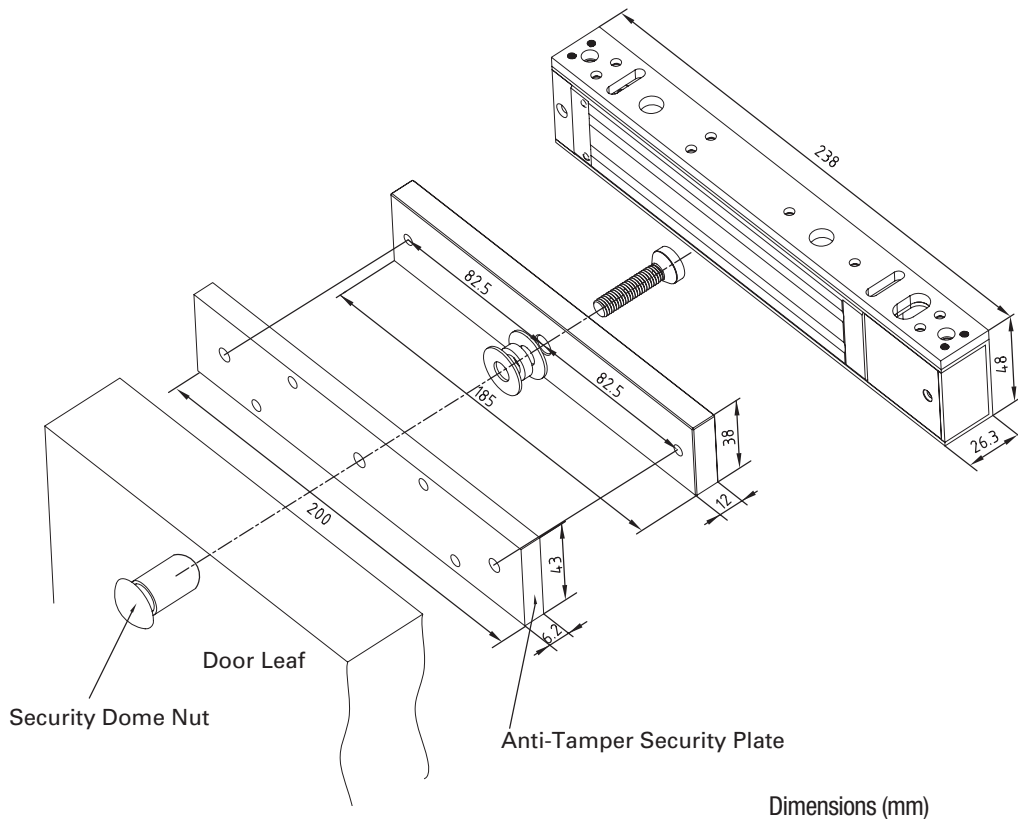
LOX LOCKING PTY LTD | www.loxlocking.com.au

LOX[®]

EM3500 SERIES

Single Door Monitored & Non Monitored

PRODUCT DIMENSIONS



EM3500 FACTS

- Door and Lock Status monitoring Sensor (DSS & LSS with monitored models)
- Built-in varistor (MOV) surge protection
- CE/RCM Approvals
- Anti Tamper Mounting Plate (with "M" models)
- High visibility red/green Status Light Panel
- Lifetime warranty
- Up to 4 hour fire rated to AS Standard
- No residual magnetism

ACCESSORIES



EM3500MP

LOX MOUNTING PLATE FOR EM3500/M



AMGB4-12

LOX U SHAPE ARMATURE HOLDER FOR GLASS DOORS EM3500/M & EM3500D/DM



AMZB4-LP

LOX L & Z BRACKET FOR INWARDS OPENING DOORS EM3500/M & EM4700



AMAB4

LOX ARMATURE HOLDER AND DRESS PLATE FOR GLASS DOORS EM3500/M



AMFB4

LOX L-BRACKET FOR EM3500 SERIES

AMLB4

LOX ADJUSTABLE L-BRACKET FOR EM3500 SERIES

LOX
LOCKING

LOX LOCKING PTY LTD | www.loxlocking.com.au

LOX[®]