

# AMZB4-COVER

L&Z Bracket with Cover for Electro Magnetic Lock EM3500 Series

## AMZB4-COVER DESCRIPTION

The **LOX L&Z AMZB4-COVER** Kit with round style cover for EM3500M & EM3500M-BLK has the same function as the standard AMZB4-LP brackets for inward-swinging doors. The difference is the additional round style cover attached to the L-Bracket and Z-Bracket combination. The L&Z Bracket with round style cover comes in silver or black colour.

## KEY BENEFITS

- Compatible with LOX EM3500 and EM3500M models.
- Enhanced visual appeal with a stylish curved cover.
- Maintains the strength, durability, and adjustability LOX brackets are known for.
- Available in BLACK or SILVER finishes.
- L-Bracket design fully conceals the Electro Magnetic Lock's cable within it's channel.

PART NO.	BRACKET TO SUIT
AMZB4-COVER	EM3500 / EM3500M
AMZB4-COVER-BLK	EM3500M-BLK



**LOX**  
LOCKING

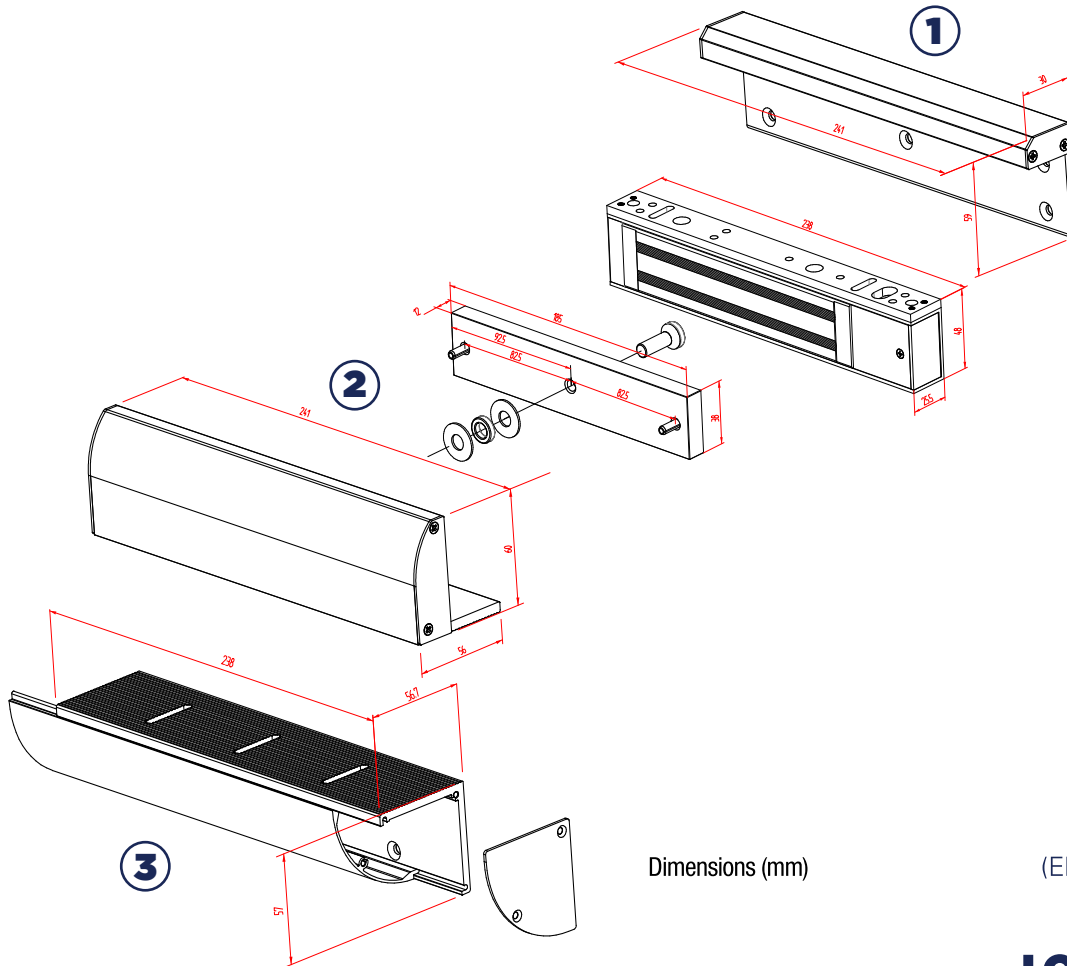
LOX LOCKING PTY LTD | [www.loxlocking.com.au](http://www.loxlocking.com.au)

**LOX**<sup>®</sup>

# AMZB4-COVER

L&Z Bracket with Cover for Electro Magnetic Lock EM3500 Series

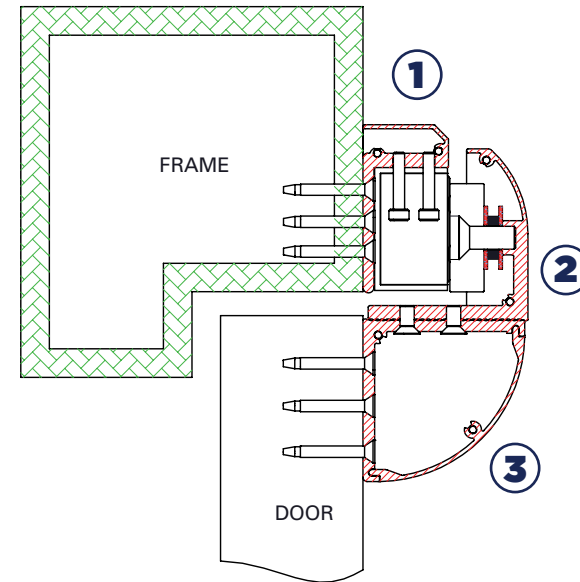
## PRODUCT DIMENSIONS



Dimensions (mm)

## AMZB4-COVER COMPONENTS

- L-Bracket with Cover to mount Electro Magnetic Lock to door frame
- Z-Bracket with Round Style Cover for Armature Plate
- Z-Bracket with Round Style Cover to fix Z-Bracket assembly to door



(Electro Magnetic Lock and Armature Plate are sold separately)

**LOX**  
LOCKING

LOX LOCKING PTY LTD | [www.loxlocking.com.au](http://www.loxlocking.com.au)

**LOX**<sup>®</sup>