

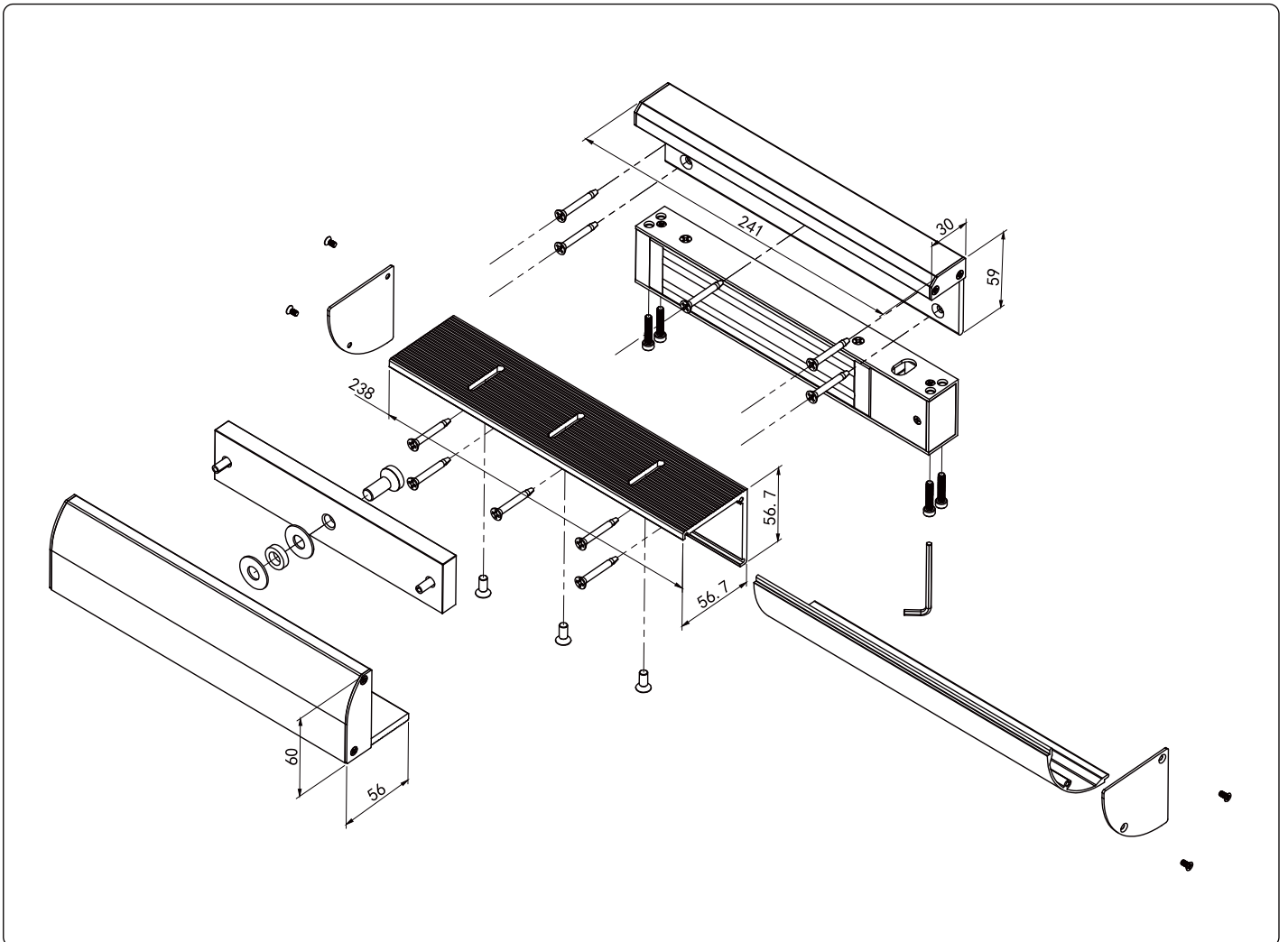
AMZB4-COVER BRACKETS FOR EM3500/EM3500D/EM3500M/EM3500DM INSTALLATION MANUAL

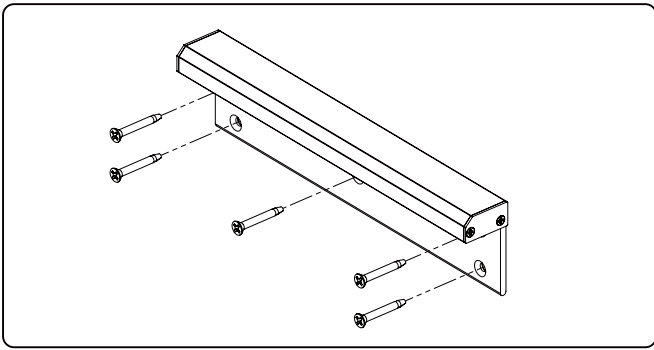
INTRODUCTION:

The EM3500 L and Z bracket dresser cover set combines elegant design, robust security, and eco-friendly construction. Expertly crafted from aluminum, it conceals installation screws and prevents dust buildup, keeping your installation clean and visually seamless. Designed for inswing doors, it provides a precise fit and easy installation while ensuring optimal performance with 600lbs. electromagnetic locks. Fully recyclable and more durable than plastic alternatives, It not only delivers a secure and tamper-resistant mounting solution but also supports sustainable building practices—making it the ideal choice for modern, professional access control systems.



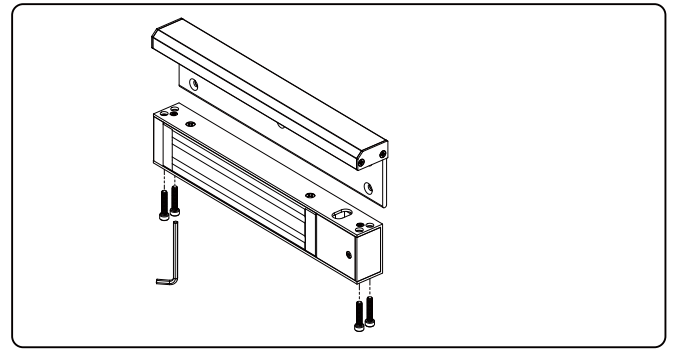
INSTALLATION DIMENSION DIAGRAM





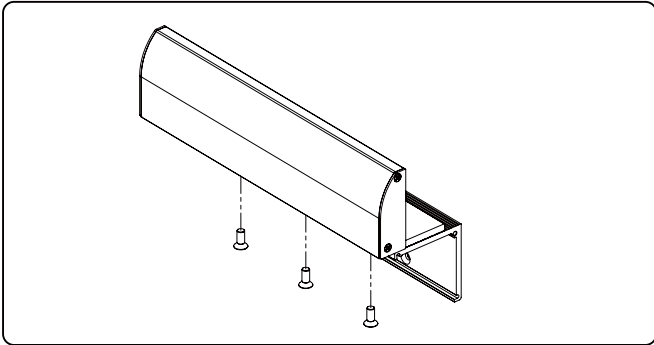
STEP 1

Install the L-bracket on the door frame. Ensure the door can still open and close smoothly.



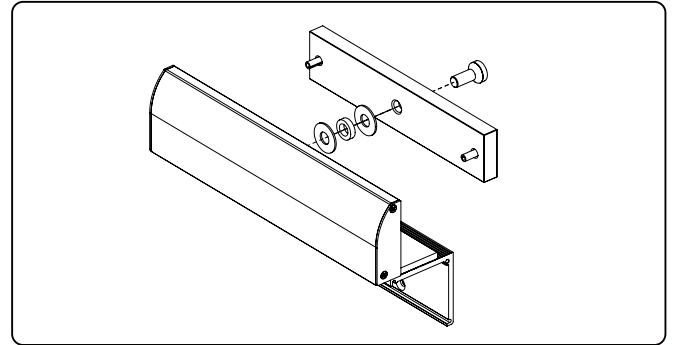
STEP 2

Attach the electromagnet to the L-bracket using the fixing screws.



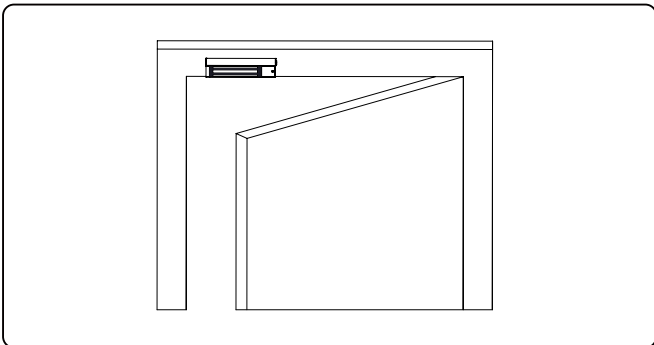
STEP 3

Assemble the Z-bracket, leaving it slightly loose for adjustment.



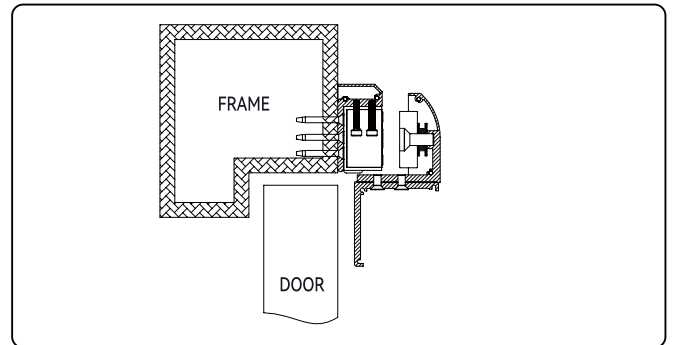
STEP 4

Attach the armature plate to the Z-bracket, placing the rubber washer between them.



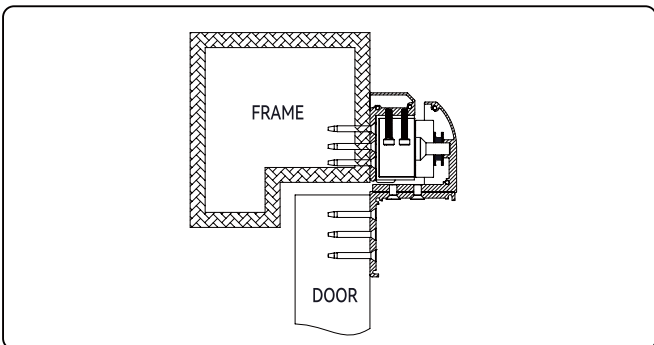
STEP 5

Close the door and switch on the power.



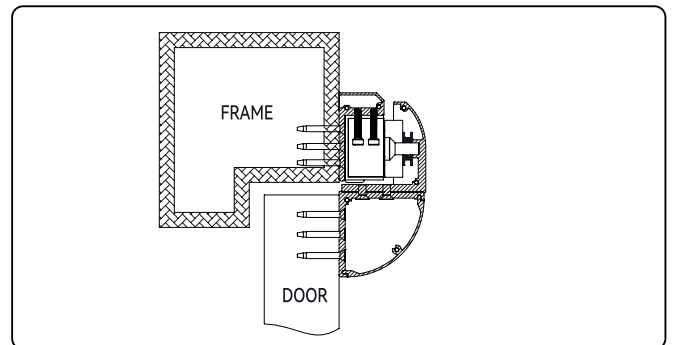
STEP 6

Allow the armature plate and electromagnet to align and bond together, then press the Z-bracket



STEP 7

Secure the Z-bracket tightly to the door leaf.



STEP 8

Finally, secure the cover plate on the Z-bracket tightly.