

CCW30S

Electro Magnetic MINI Lock Non Monitored Single

CCW30S DESCRIPTION



The **LOX CCW30S** Electro Magnetic Mini Lock was designed for securing hinged doors on lockers, cabinets or other kinds of small doors. The holding force is up to **180kg**.



CCW30S

NON MONITORED SINGLE ELECTRO MAGNETIC MINI LOCK

SPECIFICATIONS

CCW30S	SINGLE ELECTRO MAGNETIC MINI LOCK NON MONITORED
HOLDING STRENGTH	UP TO 180KG, TESTED TO 400.00 CYCLES
VOLTAGE/CURRENT	DUAL VOLTAGE 12/24VDC 12VDC = 350mA 24VDC = 175mA
APPROVALS	CE & C-TICK  
ENVIRONMENTAL	OPERATIONAL TEMPERATURE RANGE - 20 DEG. C TO 60 DEG. C.

LOX
LOCKING

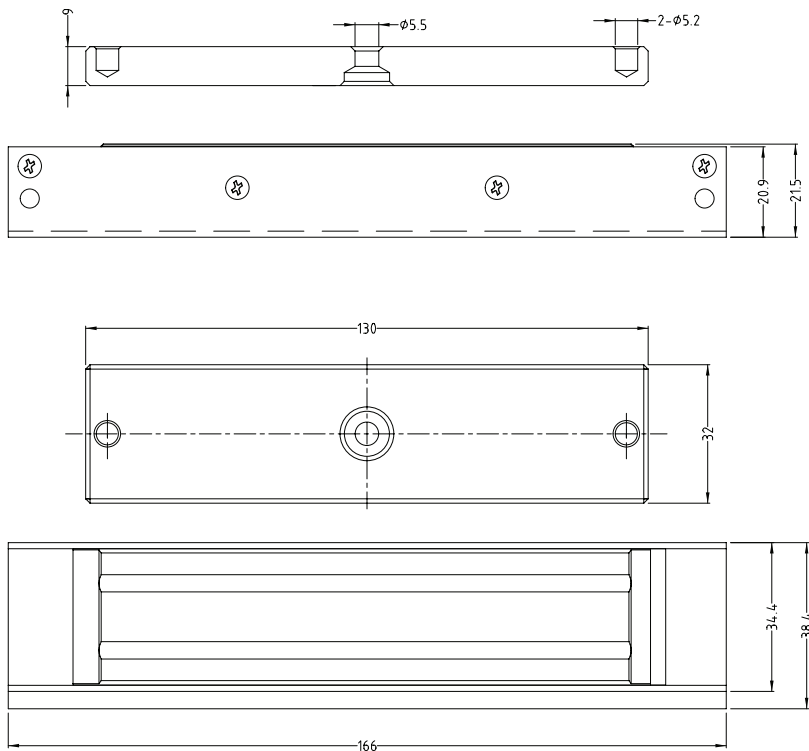
LOX LOCKING PTY LTD | www.loxlocking.com.au

LOX

CCW30S

Electro Magnetic MINI Lock Non Monitored Single

PRODUCT DIMENSIONS



Dimensions (mm)

CCW30S FACTS

- Built-in varistor (MOV) surge protection
- CE/RCM Approvals
- Lifetime warranty
- No residual magnetism

ACCESSORIES



AMZB3

LOX L & Z BRACKET FOR INWARDS OPENING DOORS
CCW30S



AMFB3

LOX L-BRACKET FOR CCW30S

LOX
LOCKING

LOX LOCKING PTY LTD | www.loxlocking.com.au

LOX