

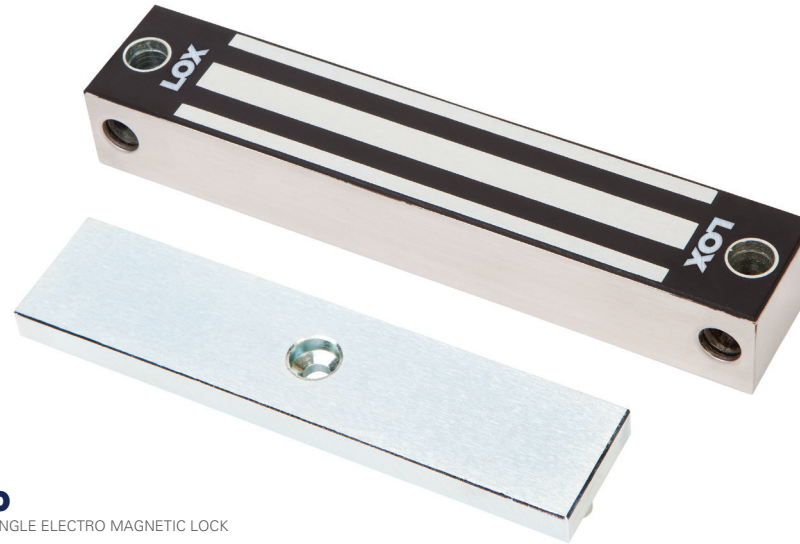
EM4500

MINI Weather Resistant Electro Magnetic Gate Lock

EM4500 DESCRIPTION



The **LOX EM4500** has been designed with a fully enclosed stainless-steel housing. It is one of the most reliable locking devices for true external applications exposed to wind and weather. The **EM4500** lock is **IP67** rated and a proven locking solution in the harshest environments around Australia. It has a holding force of up to **200kg** a dual fixing arrangement (front and header mount), a built-in varistor surge protection and accepts dual voltage of 12VDC and 24VDC.

The **EM4500** Mini Electro Magnetic Gate Lock has a Reed Switch monitoring feature and comes with a Lifetime Warranty.



EM4500
MONITORED SINGLE ELECTRO MAGNETIC LOCK

SPECIFICATIONS

EM4500	WEATHER RESISTANT ELECTRO MAGNETIC MINI GATE LOCK MONITORED
HOLDING STRENGTH	UP TO 200KG
VOLTAGE/CURRENT	DUAL VOLTAGE 12/24VDC 12VDC = 360mA 24VDC = 180mA
APPROVALS	CE & C-TICK  
DSS MONITORING	DOOR STATUS SENSOR (REED SWITCH)
ENVIRONMENTAL	IP67 RATED, OPERATIONAL TEMPERATURE RANGE - 20 DEG. C TO 60 DEG. C.

LOX
LOCKING

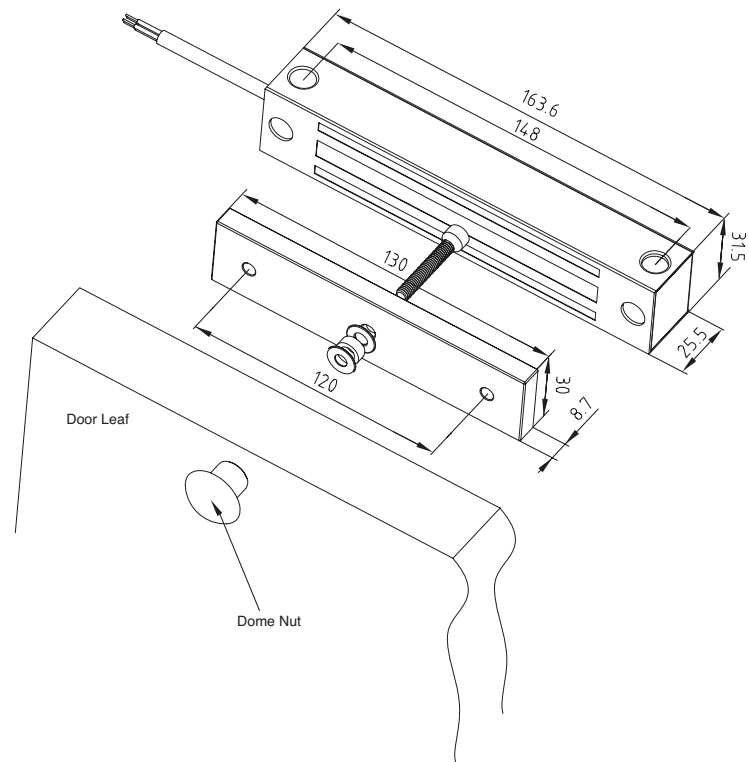
LOX LOCKING PTY LTD | www.loxlocking.com.au

LOX[®]

EM4500

MINI Weather Resistant Electro Magnetic Gate Lock

PRODUCT DIMENSIONS



Dimensions (mm)

EM4500 FACTS

- Up to 200kg holding force
- Lock Status monitoring Sensor (LSS)
- Stainless 304 steel body housing
- Weather resistant IP67
- Lifetime warranty
- CE/RCM
- No residual magnetism

ACCESSORIES



AMZB3

LOX L & Z BRACKET FOR INWARDS OPENING DOORS
CCW30S & EM4500

LOX
LOCKING

LOX LOCKING PTY LTD | www.loxlocking.com.au

LOX[®]