

# EM5700DM-BLK

Double Door Monitored

## EM5700DM-BLK DESCRIPTION

The **LOX EM5700DM-BLK** Black Anodised Series product line is a comprehensive Electro Magnetic Lock range with up to **580kg** holding force. It is one of the most reliable and most successful Electro Magnetic Locks in the Australian market.

## THE MONITORED MAGNETIC LOCKS HAVE:

- A built-in Hall Effect Sensor for monitoring the lock/unlock status of the locking device (LSS – Lock Status Sensor)
- A built-in reed switch contact for monitoring the open/closed status of the door (DSS – Door Status Sensor)
- Highly visible red/green LED Status Light
- Anti-Tamper-Fixing-Plate (monitored version only) to avoid hostile attacks targeted on the dome-nut-fixing bolt of the Armature Plate



**EM5700DM-BLK**  
MONITORED DOUBLE ELECTRO MAGNETIC LOCK


### DUAL LED STATUS LIGHT



LOCKED

UNLOCKED

## SPECIFICATIONS

<b>EM5700DM-BLK</b>	DOUBLE ELECTRO MAGNETIC LOCK MONITORED
<b>HOLDING STRENGTH</b>	UP TO 580KG, TESTED TO 1 MILLION CYCLES
<b>VOLTAGE/CURRENT</b>	DUAL VOLTAGE 12/24VDC 12VDC = 500mA X 2 24VDC = 260mA X 2
<b>APPROVALS</b>	UP TO 4 HOUR FIRE RATED TO A.S STANDARD, CE & C-TICK
<b>LSS MONITORING</b>	LSS LOCK STATUS SENSOR (HALL EFFECT) 
<b>DSS MONITORING</b>	DOOR STATUS SENSOR (REED SWITCH)
<b>LED LIGHT STATUS</b>	LED LIGHT STATUS INDICATES LOCKED OR UNLOCKED STATUS
<b>ENVIRONMENTAL</b>	OPERATIONAL TEMPERATURE RANGE - 20 DEG. C TO 60 DEG. C.

**LOX**  
LOCKING

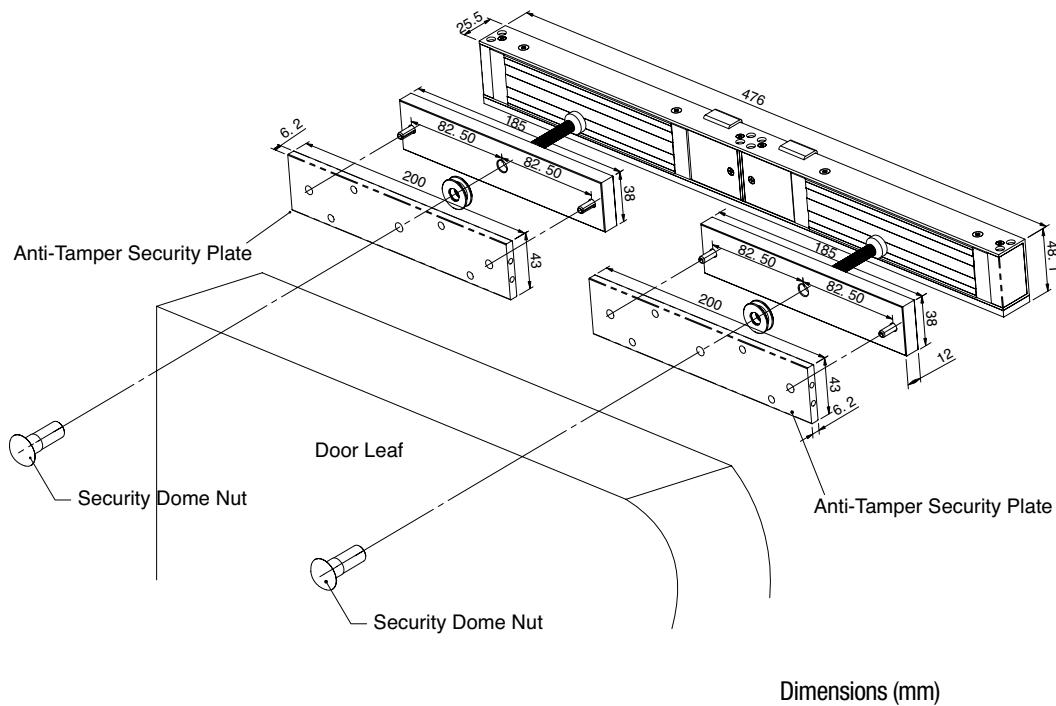
LOX LOCKING PTY LTD | [www.loxlocking.com.au](http://www.loxlocking.com.au)

**LOX**  
BLK

# EM5700DM-BLK

Double Door Monitored

## PRODUCT DIMENSIONS



## EM5700DM-BLK FACTS

- Black Anodised Body
- Door and Lock Status monitoring Sensor (DSS & LSS with monitored models)
- Built-in varistor (MOV) surge protection
- CE/RCM Approvals
- Anti Tamper Mounting Plate
- High visibility red/green Status Light Panel
- Lifetime warranty
- Up to 4 hour fire rated to AS Standard
- No residual magnetism

## ACCESSORIES



### EM5700D-MP-BLK

LOX MOUNTING PLATE FOR EM5700DBLK



### AMGB1-12-DSS-BLK (ON REQUEST)

LOX U SHAPE ARMATURE HOLDER FOR GLASS DOORS EM5700BLK & EM5700DBLK



### AMZB1D-DSS-BLK

LOX L & Z BRACKET FOR INWARDS OPENING DOORS EM5700DBLK



### AMAB1-DSS-BLK (ON REQUEST)

LOX ARMATURE HOLDER AND DRESS PLATE FOR GLASS DOORS EM5700BLK & EM5700DBLK

**LOX**  
LOCKING

LOX LOCKING PTY LTD | [www.loxlocking.com.au](http://www.loxlocking.com.au)

**LOX**  
BLK