

ES10 SERIES

Light Commercial and Residential Electric Strikes - ANSI Footprint

ES10 DESCRIPTION

The **LOX ES10** Series ANSI Electric Door Strikes is one of the most successful residential & light commercial Electric Strike products in Australia. It is a dual voltage product accepting voltages of either 12 or 24VDC. The LOX ES10 Series Electric Strikes are site interchangeable from Fail-Secure to Fail Safe (Power to Release to Power to Lock) by only using a small screw-driver.

The **ES10** Series Strikes are designed to be morticed into a door frame on a single swing door equipped with either a mortice lock or a cylindrical tongue lock. The LOX ES10 Series Strikes are pre-drilled to accommodate for extension lips, come with a 5-year warranty and have a holding strength of up to **1200kg**.

The monitored **ES10M** version comes with Door Status Sensor (door latch monitoring).

The non-monitored **ES10** version is weather resistant **IP56** rated.




ES10
NON MONITORED ANSI FOOTPRINT STRIKE

ES10M
MONITORED ANSI FOOTPRINT STRIKE

ES10M MONITORING

DOOR STATUS / LATCH MONITORING SENSORS = DOOR OPEN/CLOSED

SPECIFICATIONS

ES10	ANSI PROFILE NON MONITORED DOOR STRIKE. MORTICE MOUNT, POWER TO LOCK/POWER TO OPEN FIELD SELECTABLE & IP RATED
ES10M	MONITORED VERSION OF THE ES10 NON WEATHER RESISTANT
HOLDING STRENGTH	UP TO 1200KG TESTED 1 MILLION CYCLES
VOLTAGE/CURRENT	DUAL VOLTAGE 12/24VDC 12VDC = 200mA 24VDC = 100mA
APPROVALS	UP TO 4 HOUR FIRE RATED TO A.S STANDARD, CE & C-TICK 
DSS MONITORING	DOOR LATCH SENSOR, DOOR LATCH ENGAGED WITHIN STRIKE KEEPER ES10M VERSION
IP RATING	ES10 VERSION IP56 ES10M VERSION NOT WEATHER RESISTANT
ENVIRONMENTAL	OPERATIONAL TEMPERATURE RANGE - 20 DEG. C TO 60 DEG. C.

LOX
LOCKING

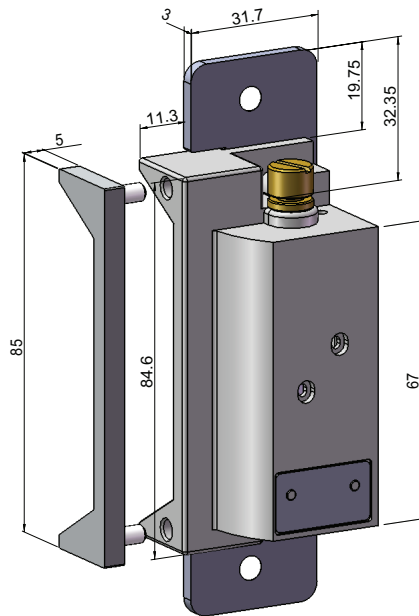
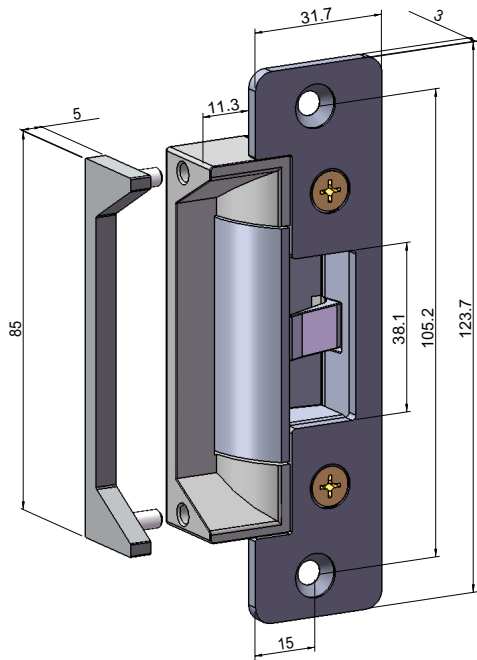
LOX LOCKING PTY LTD | www.loxlocking.com.au

LOX[®]

ES10 SERIES

Light Commercial and Residential Electric Strikes - ANSI Footprint

PRODUCT DIMENSIONS



Dimensions (mm)

ES10 FACTS

- ES10 Weather Resistant (IP56)
- ES10M monitored version available (not weather resistant)
- 5 year warranty
- Simple Power To Lock/Power To Release interchange
- Pre-drilled for extension lips
- Dual-Voltage: 12 or 24VDC
- Fire rated

ACCESSORIES



ES10-EL15

LOX ES10 EXTENSION LIP 15MM

ES10-EL25

LOX ES10 EXTENSION LIP 25MM

ES10-EL50

LOX ES10 EXTENSION LIP 50MM

ES10-EL75

LOX ES10 EXTENSION LIP 75MM

LOX
LOCKING

LOX LOCKING PTY LTD | www.loxlocking.com.au

LOX[®]