

R40PCV SERIES

Door Hold Open Magnets FLOOR Mounted

R40PCV DESCRIPTION

The **LOX R40PCV** Door Hold Open Magnets are operating on a fail-safe principle similar to common Electro Magnetic Locking Devices.

Door Hold Open Magnets consist of a round electromagnetic lock and steel armature plate.

Doors with Door Hold Open Magnets installed are usually required to remain in an open position for the general public or pedestrians and can be released by dropping the power to the device.

The R40PCV Series devices are FLOOR mounted and come in **12VDC** and **24VDC**.



R40PCV

DOOR HOLD OPEN MAGNETS FLOOR MOUNTED

SPECIFICATIONS

R40PCV-12	DOOR HOLD OPEN MAGNETS FLOOR MOUNTED 12VDC
R40PCV-24	DOOR HOLD OPEN MAGNETS FLOOR MOUNTED 24VDC
HOLDING STRENGTH	UP TO 25KG
VOLTAGE/CURRENT	12VDC = 160mA 24VDC = 80mA

LOX
LOCKING

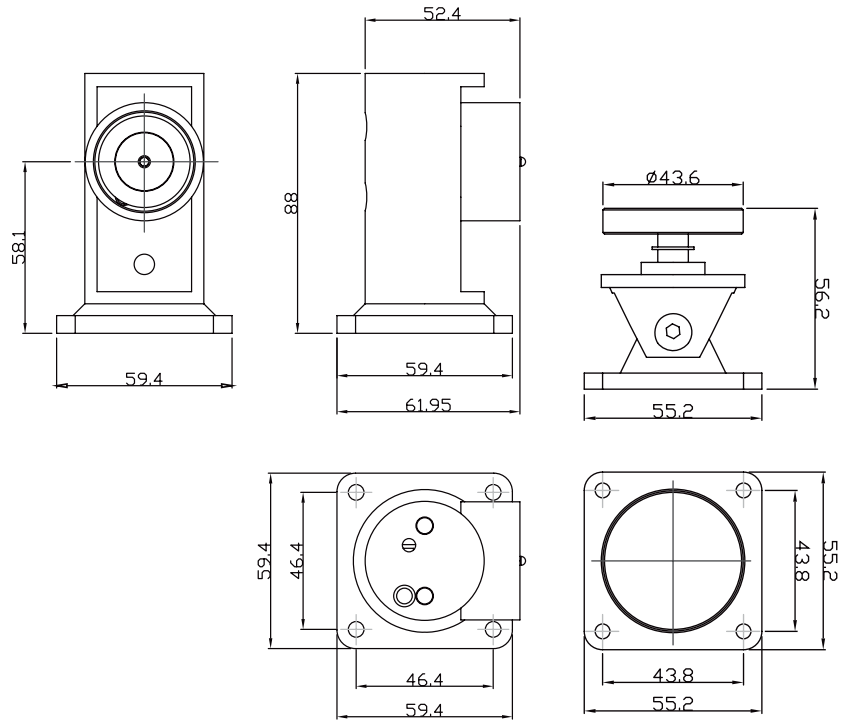
LOX LOCKING PTY LTD | www.loxlocking.com.au

LOX[®]

R40PCV SERIES

Door Hold Open Magnets FLOOR Mounted

PRODUCT DIMENSIONS



Dimensions (mm)

R40PCV FACTS

- Floor mounted
- Up to 25kg holding force
- 12 and 24VDC options
- Operating in fail safe mode
- 2 years warranty

LOX
LOCKING

LOX LOCKING PTY LTD | www.loxlocking.com.au

LOX[®]