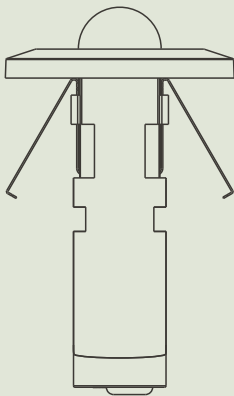




TECHNICAL INFORMATION

MINIATURE 360° PIR



FEATURES:

- Provides inconspicuous detection for any indoor area.
- Broad coverage.
- Suitable for intrusion, CCTV activation, access control and similar systems.
- Fast and easy flush-mount installation with 22mm drill.
- Superior immunity to false alarms.
- Adapter plate removable for reduced physical profile.
- Easy snap-fit installation.
- NC contacts.

2 YEAR
WARRANTY

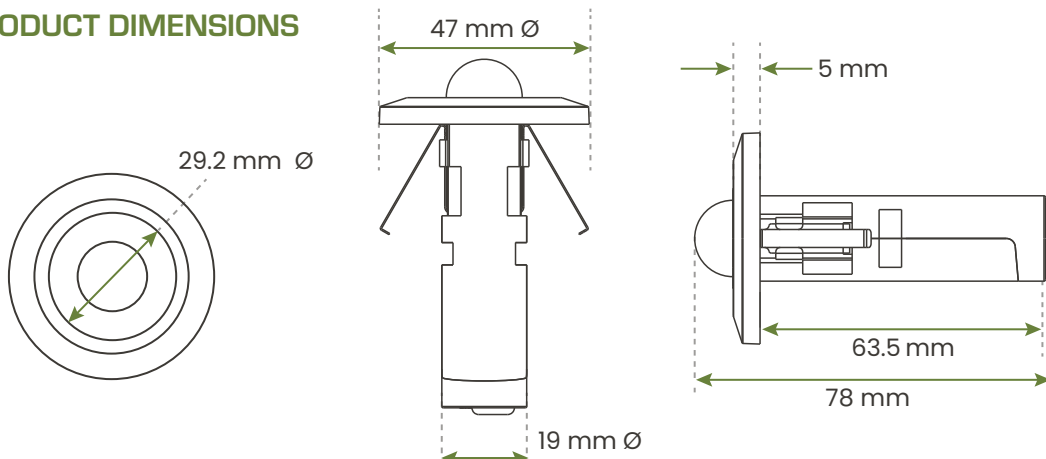
APPLICATION

High performance with inconspicuous installation, this product is ceiling mounted allowing you to seamlessly integrate it into a number of applications within any security system. Utilised for presence detection, intrusion and/or access control, the CAMO360 sensor is virtually unnoticeable.

TECHNICAL PARAMETERS

Operating voltage: DC 12-24V \pm 10%
Operating current: 2.4mA (DC 12V power)
Standby current: 4.1mA (DC 12V power)
Operating temperature: $-20^{\circ}\text{C} \sim +60^{\circ}\text{C}$
Max detection range: $360^{\circ} \times 7 \text{ M}$
Min detection movement speed: 0.1 M/S
Max installation height: 4 M
Dimensions: 78 mm(L), 47 mm \varnothing

PRODUCT DIMENSIONS



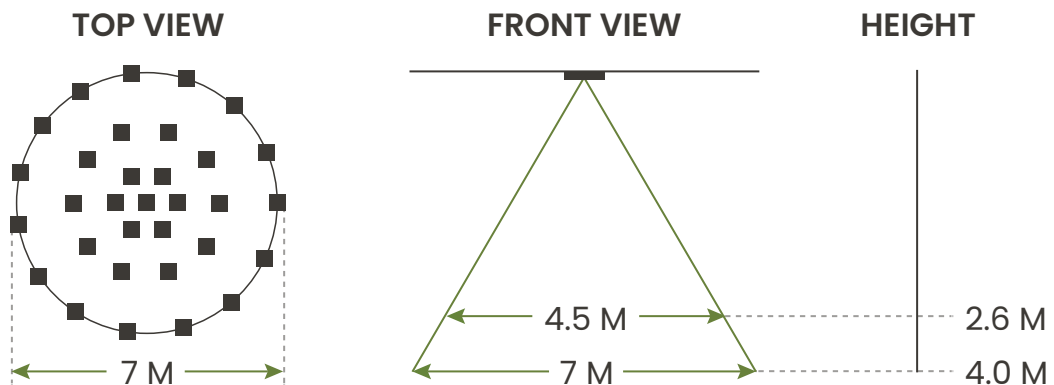
Note:

Please don't use in the following and similar situations:

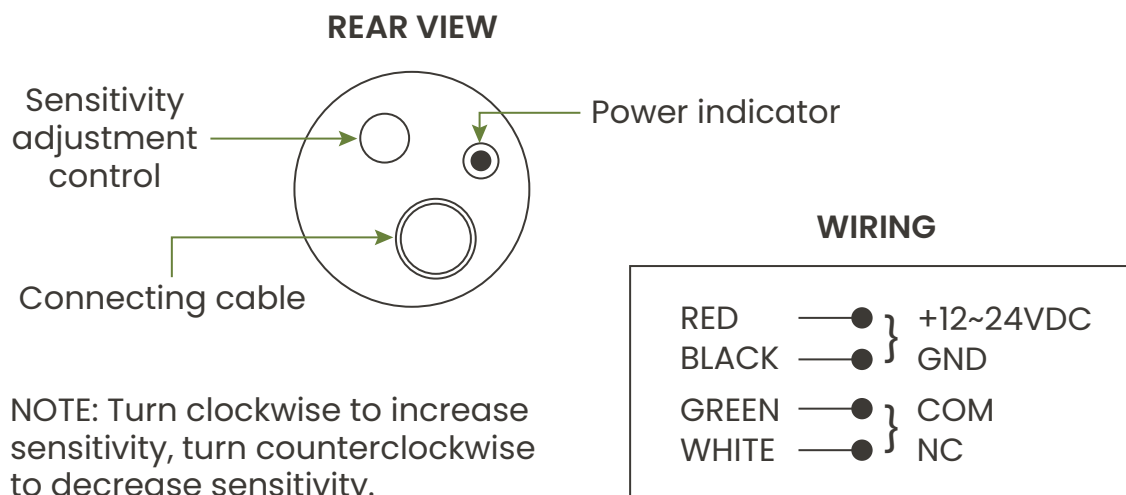
- Rapid changes in temperature.
- Strong shock or vibration.
- Direct exposure to strong light.
- Steam or glass masking the detection area.
- Close proximity to heaters and/or air conditioners.

DETECTION RANGE

The detection range varies with the sensitivity adjustment.



POWER INDICATION, ADJUSTMENTS AND WIRING DIAGRAM



NOTE: Turn clockwise to increase sensitivity, turn counterclockwise to decrease sensitivity.