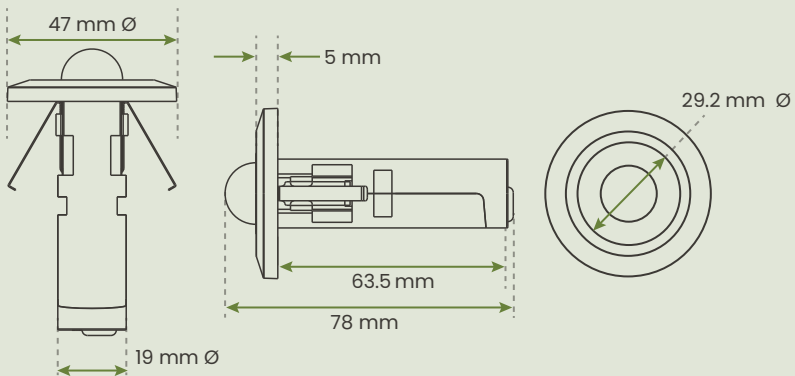




INSTALLATION INSTRUCTIONS MINIATURE 360° PIR



The PIR is designed to be mounted in a ceiling.

1. To install, first drill a 22 mm hole in the desired location.
2. If required, remove adaptor plate by twisting it anticlockwise then push down away from the face, past the side spring blades.
3. Feed the wiring into the hole, then insert the narrow body of the PIR part way into the hole.
4. With your thumb and finger, depress the two side spring blades until the bent ends are flush with the body.
5. Gently ease the remaining body length into the hole. The sideways pressure will retain the PIR in position.
6. Removal: Insert wide, flat blades such as a steel rule, between the PIR and ceiling/wall surface, at opposite sides of the wide end of the PIR, then gently twist each blade to partially displace the PIR.

Grasp the wide end with the fingers of one hand and gently pull the PIR out of the hole, allowing the side spring retaining blades to expand as the body passes through the hole.

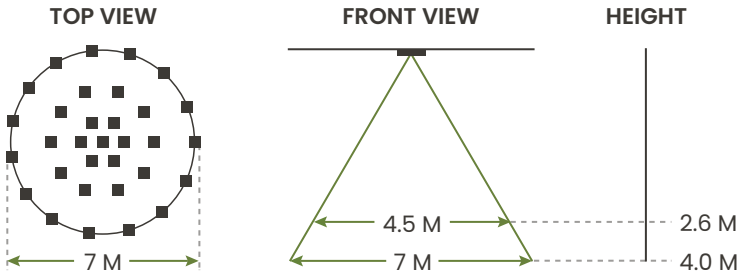
Note:

Please don't use in the following and similar situations:

- Rapid changes in temperature.
- Strong shock or vibration.
- Direct exposure to strong light.
- Steam or glass masking the detection area.
- Close proximity to heaters and/or air conditioners.

DETECTION RANGE

The detection range varies with the sensitivity adjustment.



POWER INDICATION, ADJUSTMENTS AND WIRING DIAGRAM

