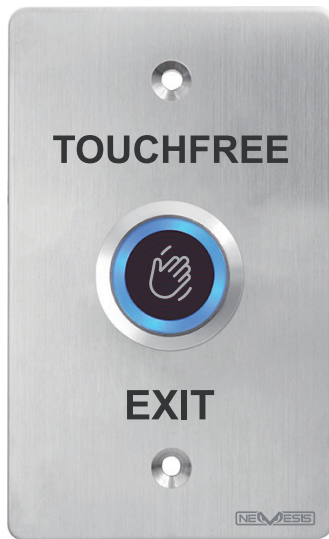


TECHNICAL INFORMATION

TOUCHFREE EXIT BUTTON

EVAQEX00M-TFSIL/SS

SPECIFICATIONS:



Panel: Stainless steel, 304 grade, 1.7mm thick, laser etched text

Dimensions: 115H x 70W x 30D (mm)

LED Actuator: Blue LED (standby), Green LED (active)

Actuating Distance: 5-20 cm (adjustable)

Output Contact: NO/NC/COM

Mechanical Life: 500,000 Operations

Ingress Rating: IP68

Time Delay: 0-30 seconds (adjustable)

Power: 12-24V DC

Operating Temperature: -20°C to +55°C

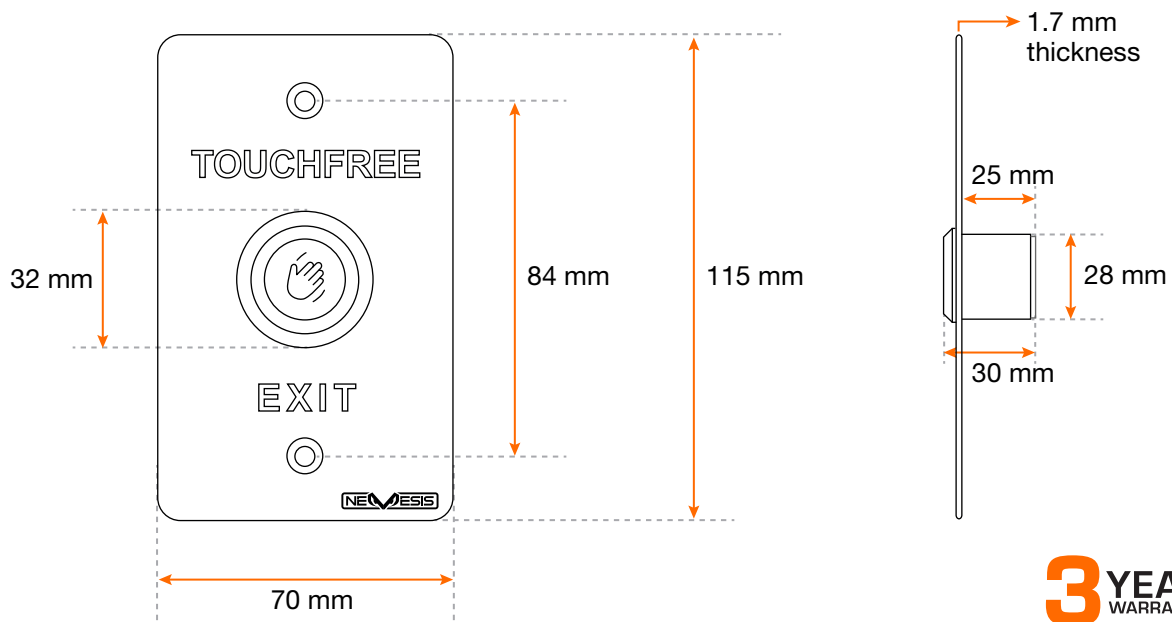
Operating Humidity: 0-95% (relative humidity)

Weight: 180 g

Fixing Method: 2x3mm stainless steel screws (included)

Mount Style: Flush - fits Australian wall boxes

PRODUCT DIMENSIONS:



3 YEAR
WARRANTY