

TECHNICAL INFORMATION

ILLUMINATED EXIT BUTTON **EVAQEX20M-FLSIL/SS**

SPECIFICATIONS:



Panel: Stainless steel, 304 grade, 1.7mm thick, laser etched text

Dimensions: 115H x 70W x 40D (mm)

Button: Stainless steel, illuminated

Output Contact: 1x NO & 1x NC

Mechanical Life: 500,000 Operations

Ingress Rating: IP66

LED Actuator: Green LED (standby), Green LED (active)

Power: 12-24V DC (for led only)

Operating Temperature: -20°C to +55°C

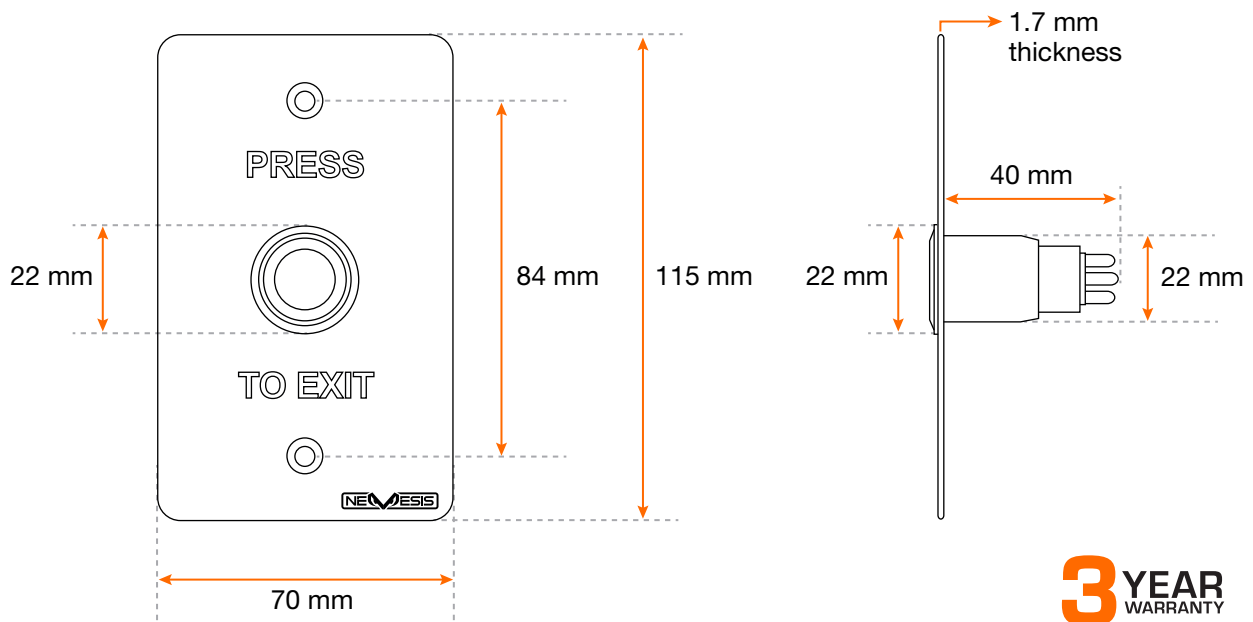
Operating Humidity: 0-95% (relative humidity)

Weight: 140 g

Fixing Method: 2x3 mm stainless steel screws (included)

Mount Style: Flush - fits Australian wall boxes

PRODUCT DIMENSIONS:



3 YEAR
WARRANTY