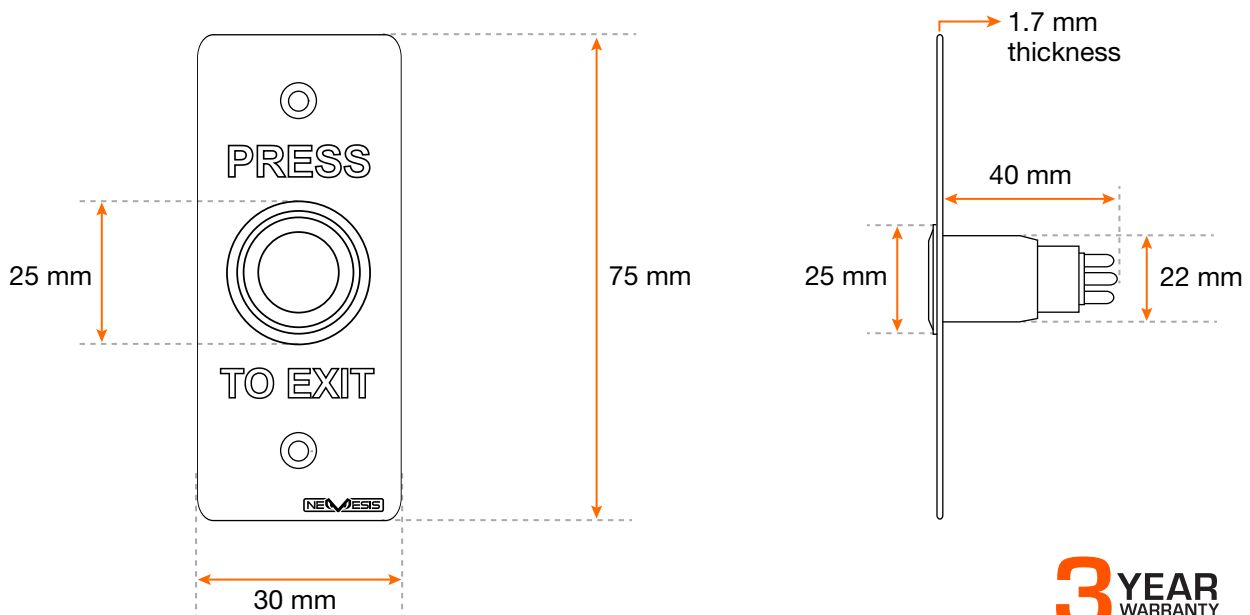


### SPECIFICATIONS:



- Panel:** Stainless steel, 304 grade, 1.7mm thickness
- Button:** Stainless steel, illuminated
- Dimensions:** 75H x 30W x 40D (mm)
- Output Contact:** 1x NO & 1x NC
- Mechanical Life:** 500,000 Operations
- Ingress Rating:** IP66
- LED Indicator:** Green LED (standby), Green LED (active)
- Power:** 12-24V DC (for led only)
- Operating Temperature:** -20°C to +55°C
- Operating Humidity:** 0-95% (relative humidity)
- Weight:** 100 g
- Fixing Method:** 2 x 3 mm stainless steel screws (included)

### PRODUCT DIMENSIONS:



\*the specifications are subject to change without notice