



PRO2410

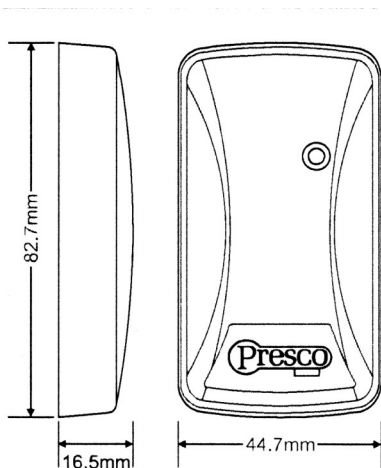
PROXIMITY CARD READER

SPECIFICATIONS

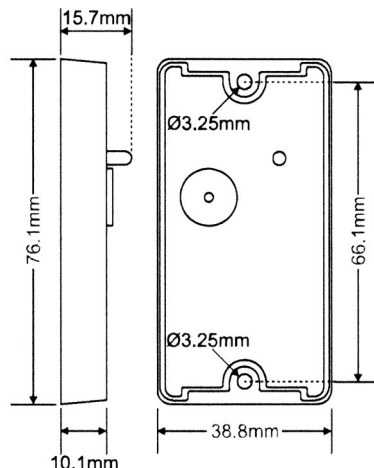


PRO2410

- **Input Voltage :** 8 to 28 volts D.C.
- **Current usage :** 50ma @ 8 volts D.C.
35ma @ 12 volts D.C.
20ma @ 24 volts D.C.
- **Weight :** 80 grams.
- **Output :** Wiegand 26 bit.
Presco™ PAC decoder format.
- **Read Range :** Up to 11cm
- **Excitation Frequency :** 125Khz ± 5 Khz
- **Operating Temperature :** 0°C to 70°C
- **Cabling Requirements :**
 - Presco interface Up to 1km
 - Weigand interface Unshielded cable
 - Up to 150mts
 - Shielded cable



With Cover



Without Cover

Manufactured by:
Nidac Security P/L
2 Cromwell Street
Burwood, Victoria 3125 Australia
PH: +61 3 98086244
Fax: +61 3 98089335
Www.nidac.com