

PBB20C Series

AC/DC SINGLE OUTPUT SUPPLY

FEATURES

- 10 - 1500W
- AC/DC Power Supply
- Small size and light weight
- Fan alarm (300W-1500W)
- Remote ON/OFF (300W-1500W)
- Parallel operation and current sharing (300W - 1500W)
- Short circuit and over current protected
- Conformal coating option for wet areas



SPECIFICATIONS

INPUT

| | |
|----------------|--|
| Voltage | 85~264Vac / 120~370Vdc. |
| Frequency | 47-63Hz. |
| Inrush current | PBB20C-D, F, H, J, L 30A typical PBB20C-M, R, T, X, W, V 40A typical. |

OUTPUT

| | |
|--------------------|---|
| Output Voltage | See Selection Table. |
| Voltage Adjustment | See Selection Table. |
| Output Current | See Selection Table. |
| Minimum Load | Unit will operate with zero load. |
| Output Ripple | 3.3Vdc - 24Vdc < 150mVp-p 48Vdc < 250mVp-p |
| Line regulation | Typically 0.4% |
| Load regulation | Typically 0.8% |
| Temperature drift | 1% over 0°C to 50°C |
| Remote sense | Provided on PBB20C-T to V model |
| Remote inhibit | Provided on PBB20C-T to V model |
| Rise time | Model dependent 600ms max |
| Holdup time | 20ms typical |
| Efficiency | Typ. 82% |

PROTECTION

| | |
|-------------------------|--|
| Over Current Protection | Works at approximately 105% of rated current with auto recovery |
| Over Voltage Protection | Model dependent 115%-140% Vout typical |
| Isolation | Input - Output 3000Vac Input - Case 2000Vac Output - Case 500Vac |
| Thermal protection | 300W - 1500W - Unit shuts down when temperature exceeds de-rating curve when FAN stops or when air flow is interrupted |
| DC OK / FAN alarm | 300W - 1500W: Open Collector "Low DC OK" 0.5V "High DC not OK" 5V LED for V output |

ENVIRONMENTAL

| | |
|-----------------------|---|
| Operating Temperature | 10W-150W convection 10°C to 71°C Derate from 40°C to 71°C with cover Derate from 60°C to 71°C without cover |
| Cooling | 300W-1500W convection -20°C to 71°C Derate from 50°C to 71°C at 50% power |
| Humidity | 10W-150W models convection cooled. 300W-1500W models internal fan cooling. |
| Vibration | 20%-90% non-condensing. |
| Shock | 10Hz-55Hz at 2G 20G 11ms X, Y, Z axis |

STANDARDS & APPROVALS

| | |
|-----------------|--|
| Safety | UL60950-1, C-UL(CSA60950-1), EN60950-1, EN50178, Complies with DEN-AN. |
| C-Tick | AS/NZS CISPR11 Group 1 Class A. |
| EMC compliances | EN61204-3, EN61000-6-2 EN61000-4-2,-3,-4,-5,-6,-8,-11 |
| EMI compliances | Complies with FCC-B, CISPR22-B, EN55011-B, EN55022-B, VCCI-B |
| CE marking | Complies with LVD and EMC Directives |

MECHANICAL

| | |
|------------------------|--|
| Connector | Screw Termination |
| Dimensions and Weight | PBB20C-D, 10W : 31 x 78 x 68mm, 150g PBB20C-F, 15W : 31 x 78 x 85mm, 200g PBB20C-H, 30W: 31 x 78 x 103mm, 270g PBB20C-J, 50W: 31 x 82 x 120mm, 280g PBB20C-L, 75W: 32 x 82 x 135mm, 350g PBB20C-M, 100W : 32 x 93 x 147mm, 440g PBB20C-R, 150W : 34 x 93 x 168mm, 560g PBB20C-T, 300W : 102 x 42 x 170mm, 1.0kg PBB20C-X, 600W : 120 x 61 x 190mm, 1.6kg PBB20C-W, 1000W : 150 x 61 x 240mm, 2.2kg PBB20C-V, 1500W : 178 x 61 x 268mm, 3.4kg |
| Chassis Plate Mounting | PBB20C Chassis Mounting |

PBB20C Series

AC/DC SINGLE OUTPUT SUPPLY

SELECTION TABLE

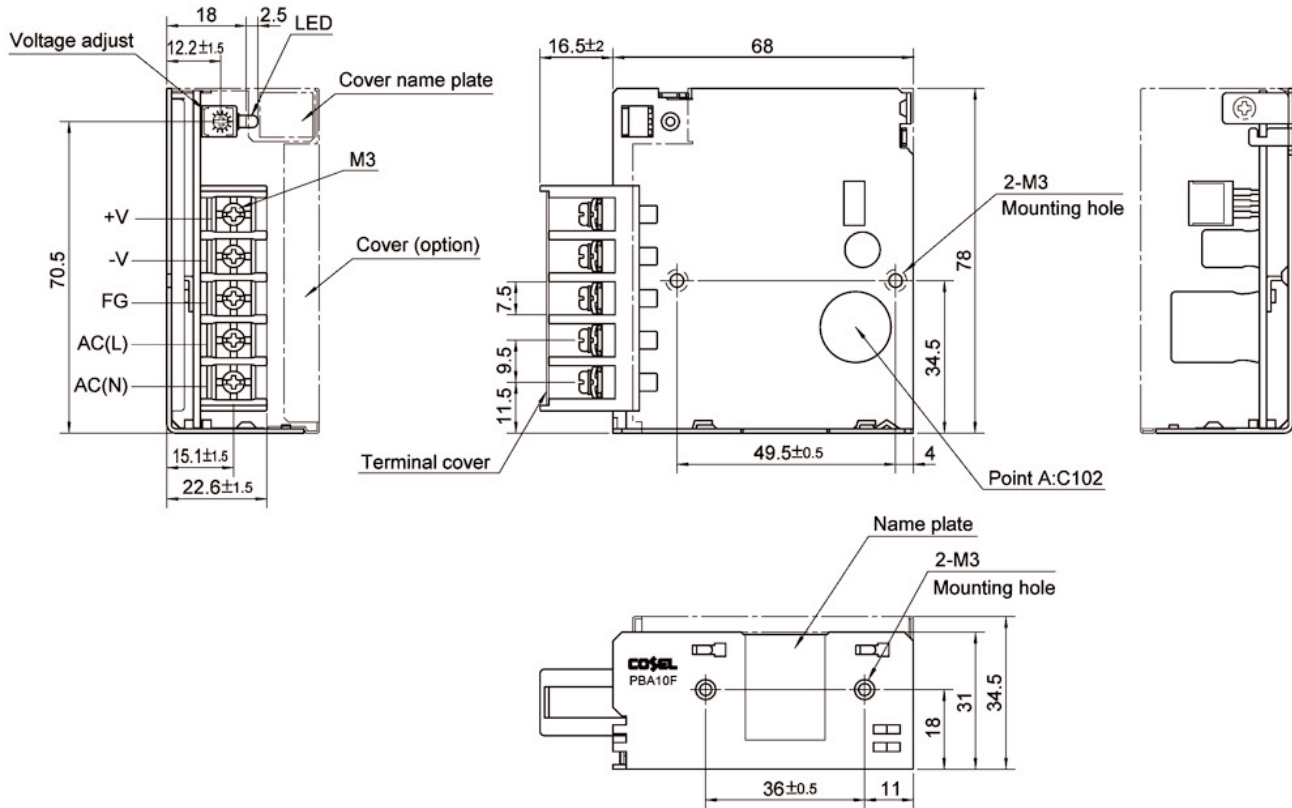
| MODEL NUMBER | OUTPUT | | VOLTAGE ADJ | POWER |
|--------------|--------|-------|--------------|-------|
| PBB20C-5D | 5V | 2A | 4.5V - 5.5V | 10W |
| PBB20C-12D | 12V | 0.9A | 10V - 13.2V | 10W |
| PBB20C-24D | 24V | 0.5A | 19.2V - 27V | 10W |
| PBB20C-3.3F | 3.3V | 3A | 2.85V - 3.6V | 15W |
| PBB20C-5F | 5V | 3A | 4.5V - 5.5V | 15W |
| PBB20C-9F | 9V | 1.7A | 7.5V - 10V | 15W |
| PBB20C-12F | 12V | 1.3A | 10V - 13.2V | 15W |
| PBB20C-15F | 15V | 1A | 13.2V - 18V | 15W |
| PBB20C-24F | 24V | 0.7A | 19.2V - 27V | 15W |
| PBB20C-48F | 48V | 0.35A | 39V - 53V | 15W |
| PBB20C-3.3H | 3.3V | 6A | 2.85V - 3.6V | 30W |
| PBB20C-5H | 5V | 6A | 4.5V - 5.5V | 30W |
| PBB20C-9H | 9V | 3.4A | 7.5V - 10V | 30W |
| PBB20C-12H | 12V | 2.5A | 10V - 13.2V | 30W |
| PBB20C-15H | 15V | 2A | 13.2V - 18V | 30W |
| PBB20C-24H | 24V | 1.3A | 19.2V - 27V | 30W |
| PBB20C-48H | 48V | 0.65A | 39V - 53V | 30W |
| PBB20C-3.3J | 3.3V | 10A | 2.85V - 3.6V | 50W |
| PBB20C-5J | 5V | 10A | 4V - 5.5V | 50W |
| PBB20C-9J | 9V | 5.6A | 7.5V - 10V | 50W |
| PBB20C-12J | 12V | 4.3A | 10V - 13.2V | 50W |
| PBB20C-15J | 15V | 3.5A | 13.2V - 18V | 50W |
| PBB20C-24J | 24V | 2.2A | 19.2V - 27V | 50W |
| PBB20C-36J | 36V | 1.4A | 28.8V - 39V | 50W |
| PBB20C-48J | 48V | 1.1A | 39V - 53V | 50W |
| PBB20C-3.3L | 3.3V | 15A | 2.85V - 3.6V | 75W |
| PBB20C-5L | 5V | 15A | 4V - 5.5V | 75W |
| PBB20C-9L | 9V | 8.4A | 7.5V - 10V | 75W |
| PBB20C-12L | 12V | 6.3A | 10V - 13.2V | 75W |
| PBB20C-15L | 15V | 5A | 13.2V - 18V | 75W |
| PBB20C-24L | 24V | 3.2A | 19.2V - 27V | 75W |
| PBB20C-36L | 36V | 2.1A | 28.8V - 39V | 75W |
| PBB20C-48L | 48V | 1.6A | 39V - 53V | 75W |
| PBB20C-3.3M | 3.3V | 20A | 2.85V - 3.6V | 100W |
| PBB20C-5M | 5V | 20A | 4V - 5.5V | 100W |
| PBB20C-9M | 9V | 10.5 | 7.5V - 10V | 100W |
| PBB20C-12M | 12V | 8.5A | 10V - 13.2V | 100W |
| PBB20C-15M | 15V | 7A | 13.2V - 18V | 100W |
| PBB20C-24M | 24V | 4.5A | 19.2V - 27V | 100W |
| PBB20C-36M | 36V | 2.8A | 28.8V - 39V | 100W |
| PBB20C-48M | 48V | 2.1A | 39V - 53V | 100W |
| PBB20C-3.3R | 3.3V | 30A | 2.85V - 3.6V | 150W |
| PBB20C-5R | 5V | 30A | 4V - 5.5V | 150W |
| PBB20C-9R | 9V | 16.7A | 7.5V - 10V | 150W |
| PBB20C-12R | 12V | 13A | 10V - 13.2V | 150W |
| PBB20C-15R | 15V | 10A | 13.2V - 18V | 150W |
| PBB20C-24R | 24V | 6.5A | 19.2V - 27V | 150W |
| PBB20C-36R | 36V | 4.3A | 28.8V - 39V | 150W |
| PBB20C-48R | 48V | 3.3A | 39V - 53V | 150W |

PBB20C Series

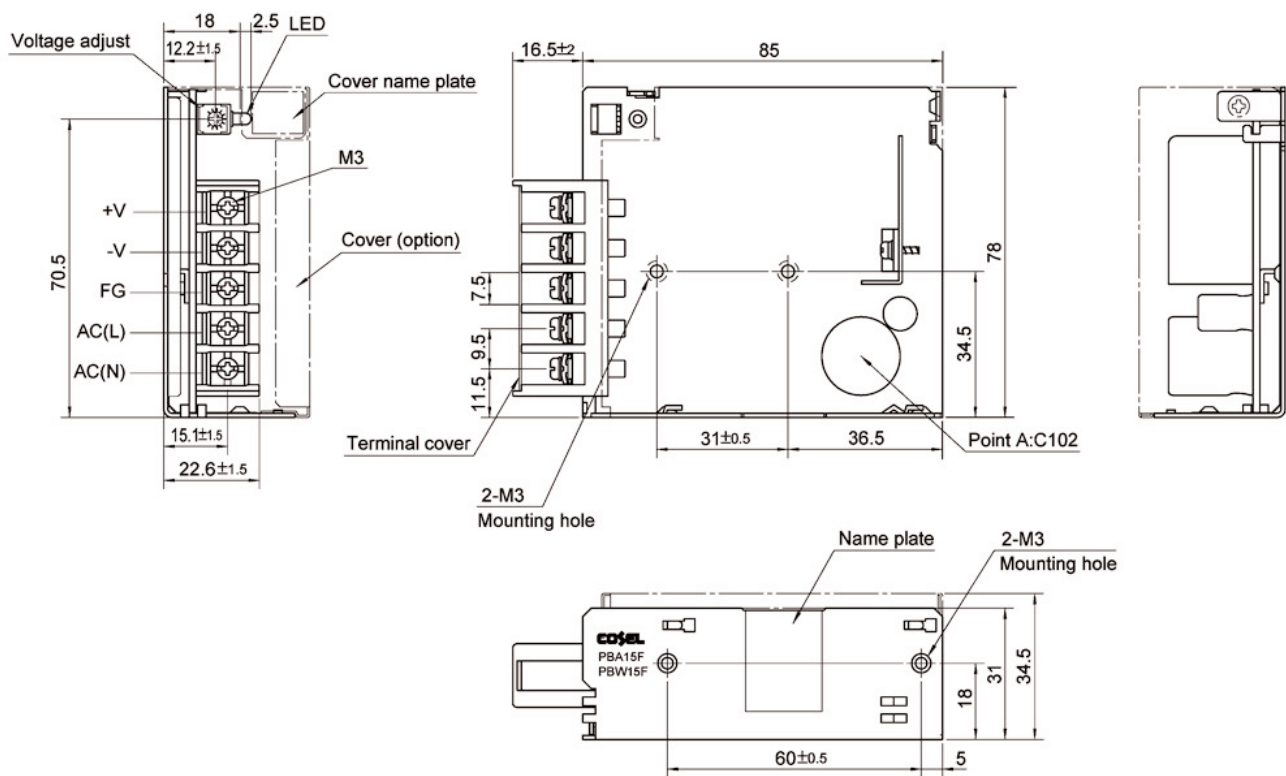
AC/DC SINGLE OUTPUT SUPPLY

TECHNICAL ILLUSTRATIONS

PBB20C-D 10W



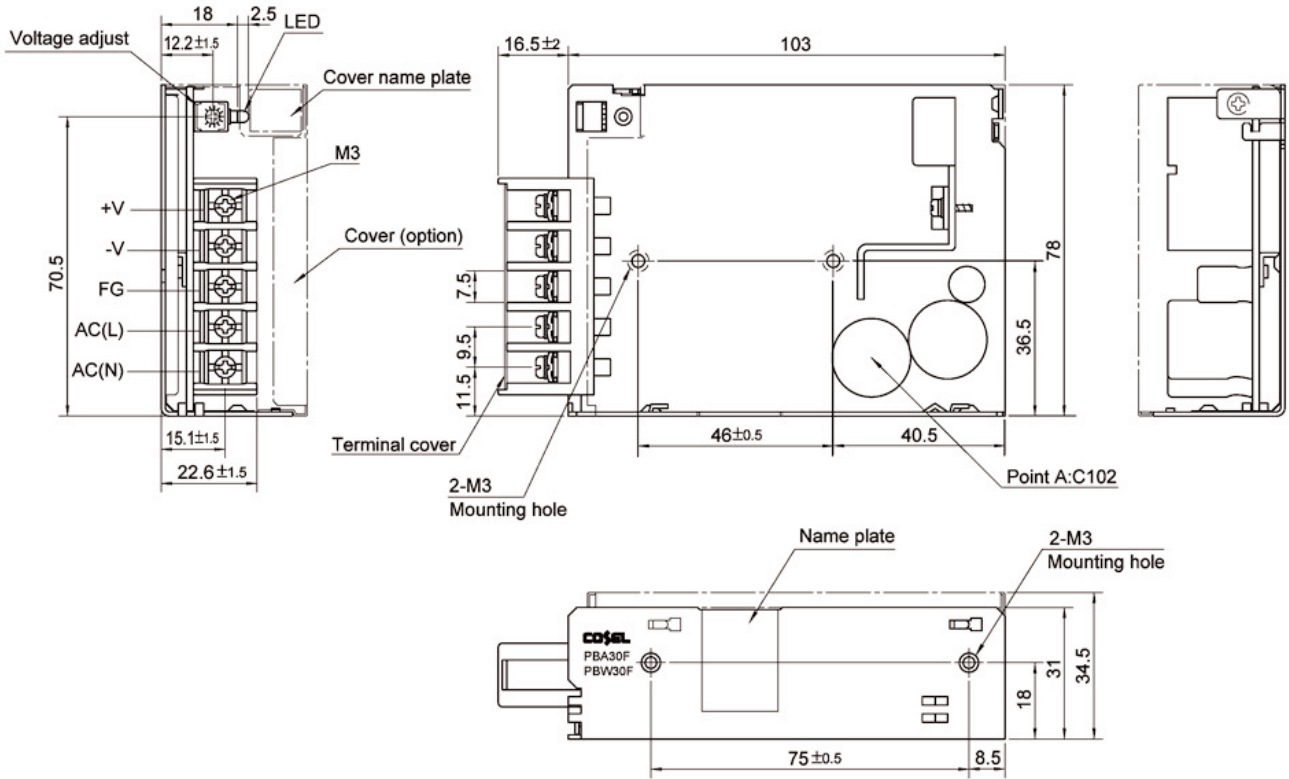
PBB20C-F 15W



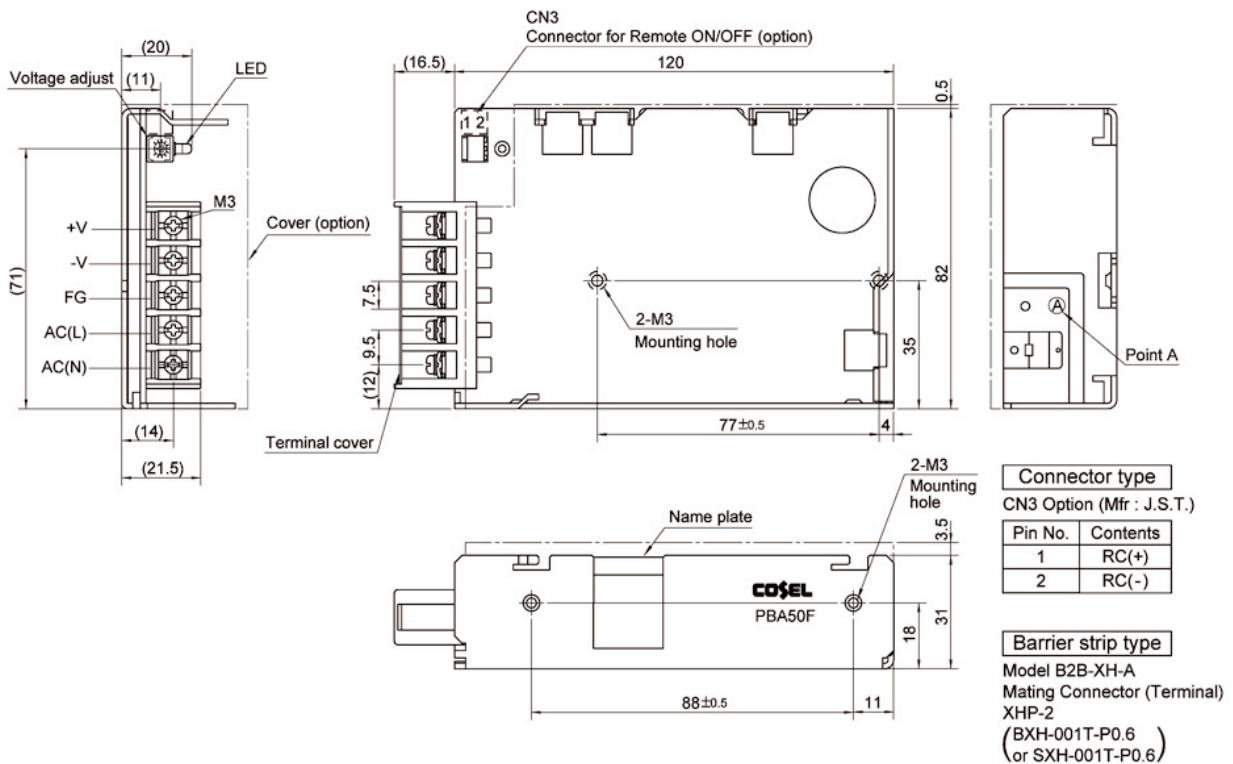
PBB20C Series

AC/DC SINGLE OUTPUT SUPPLY

PBB20C-H 30W



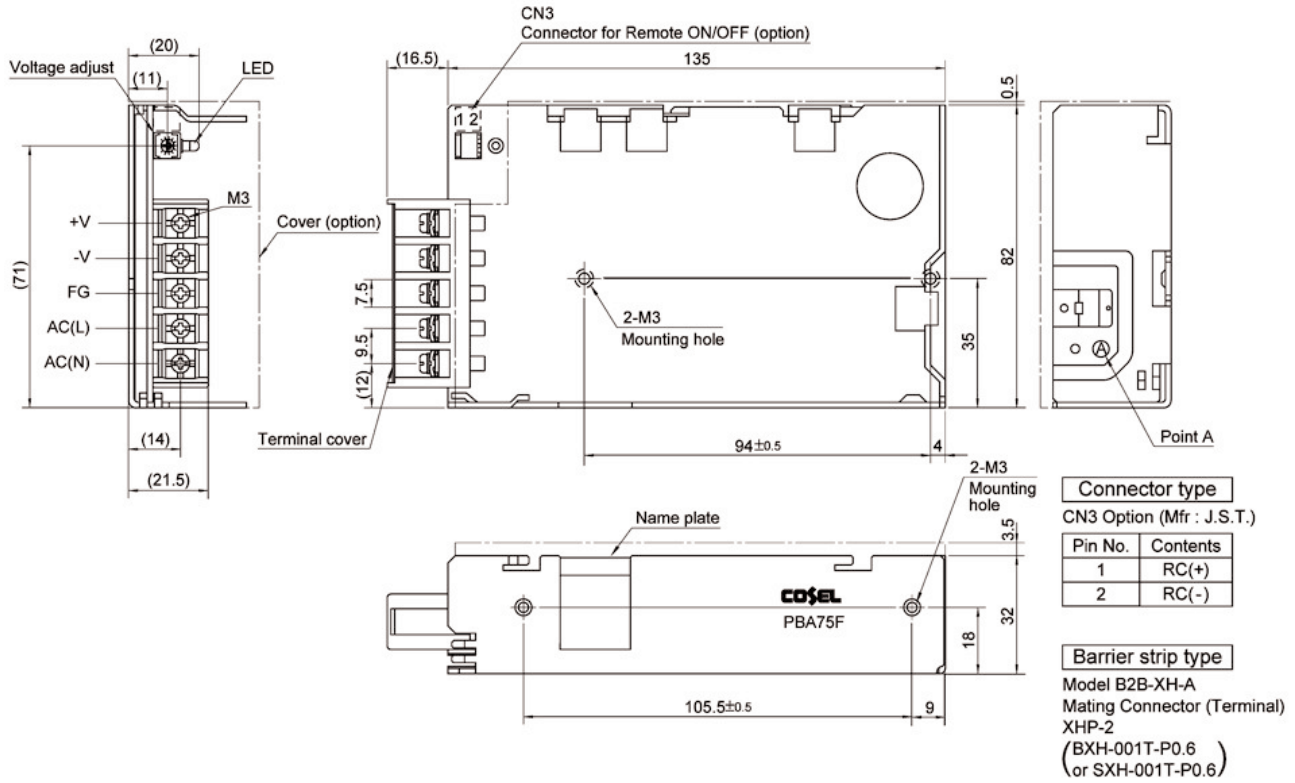
PBB20C-J 50W



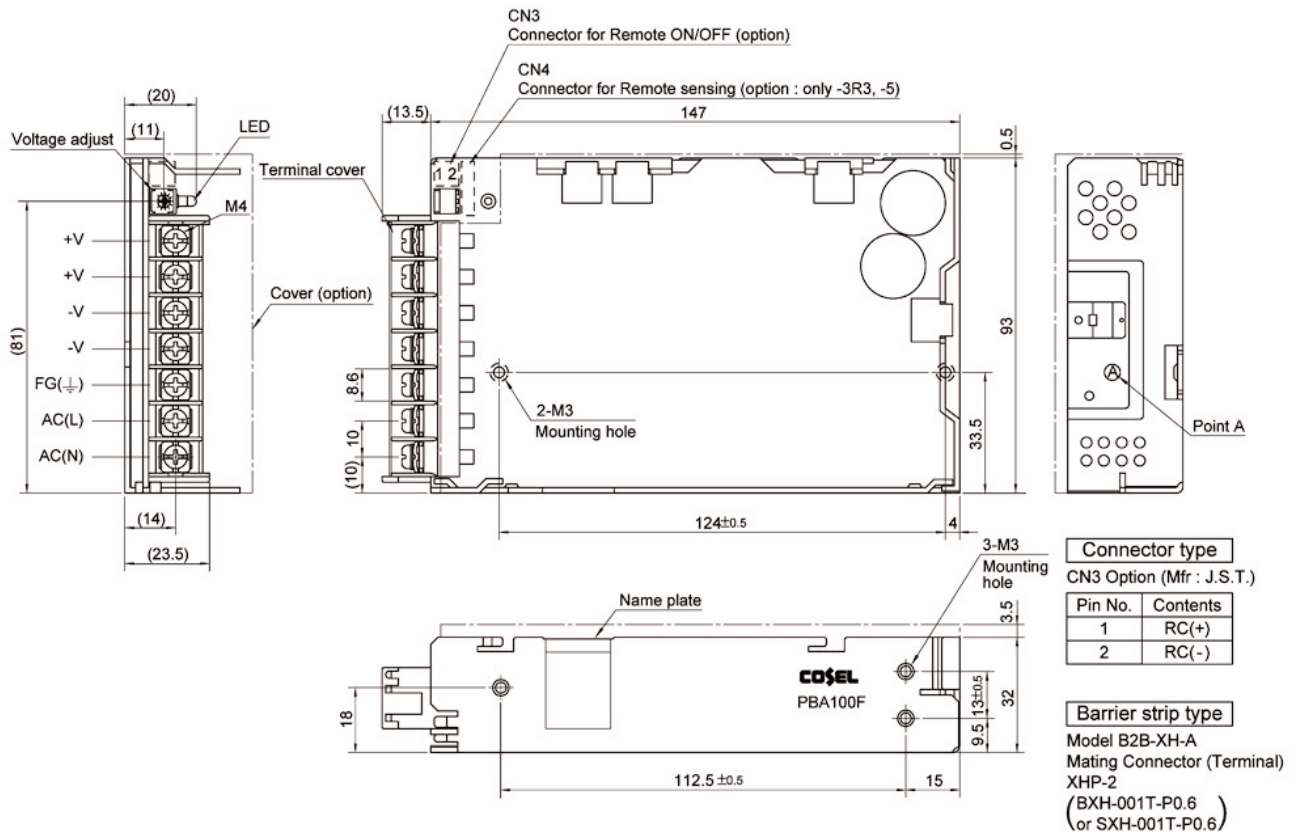
PBB20C Series

AC/DC SINGLE OUTPUT SUPPLY

PBB20C-L 75W



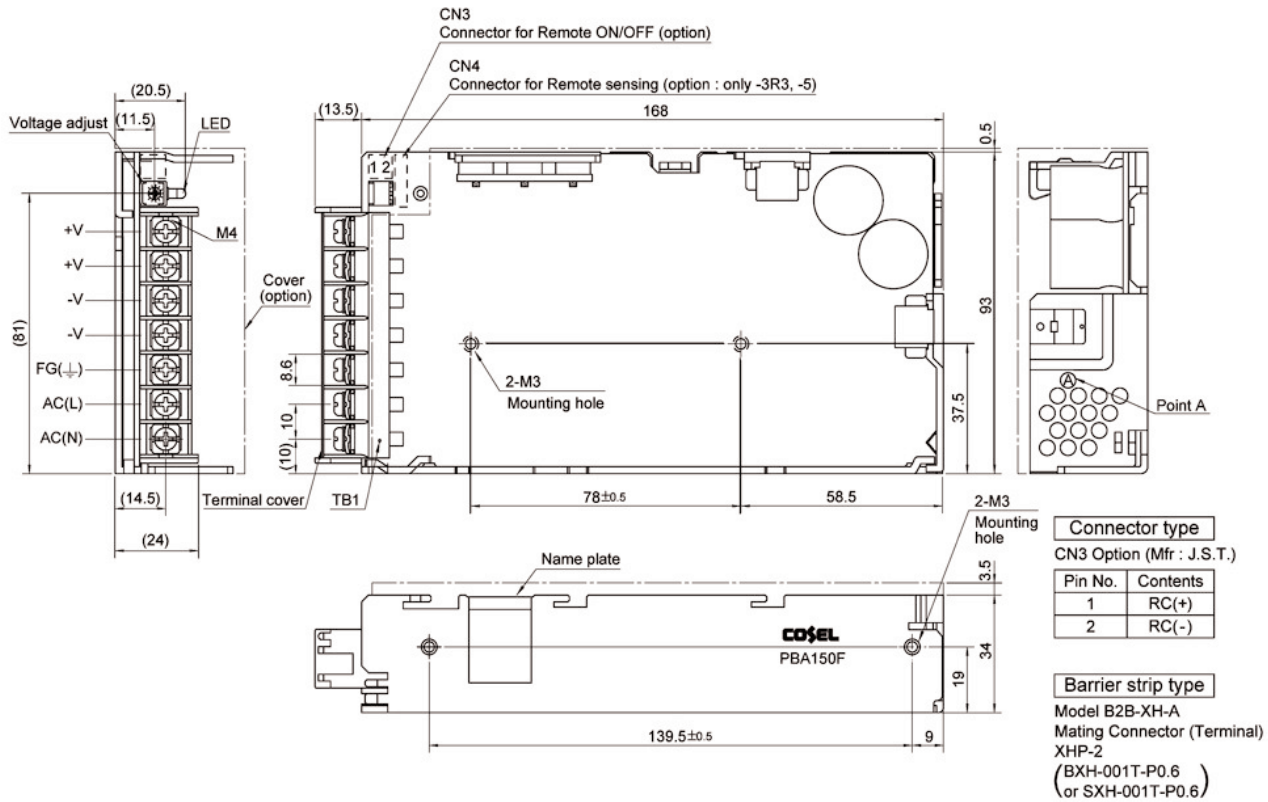
PBB20C-M 100W



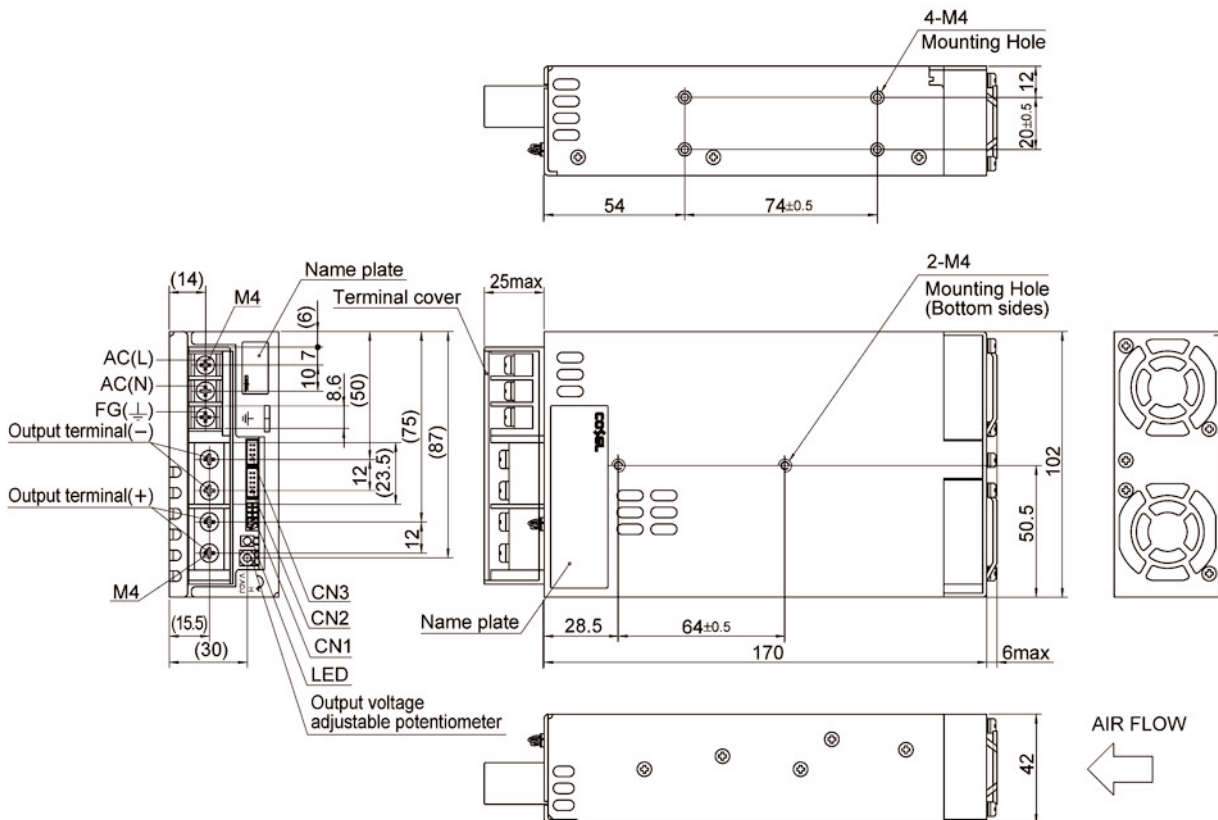
PBB20C Series

AC/DC SINGLE OUTPUT SUPPLY

PBB20C-R 150W



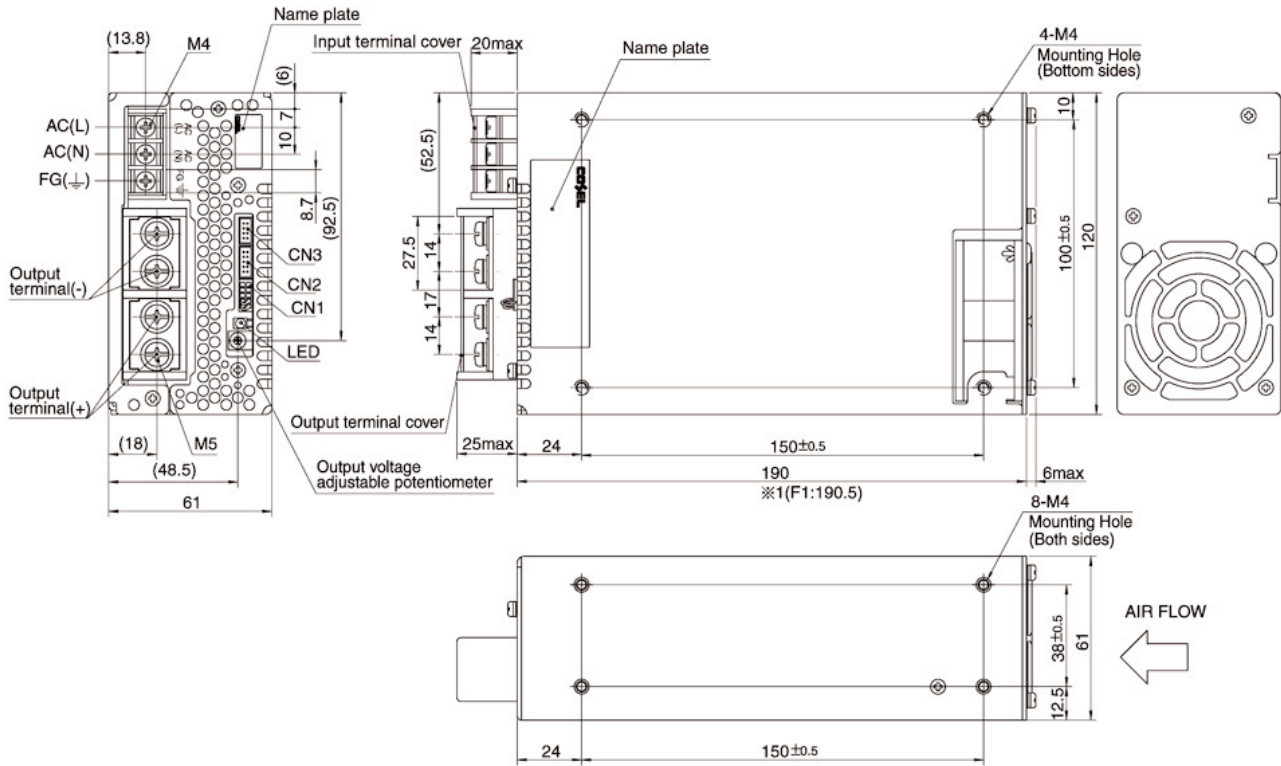
PBB20C-T 300W



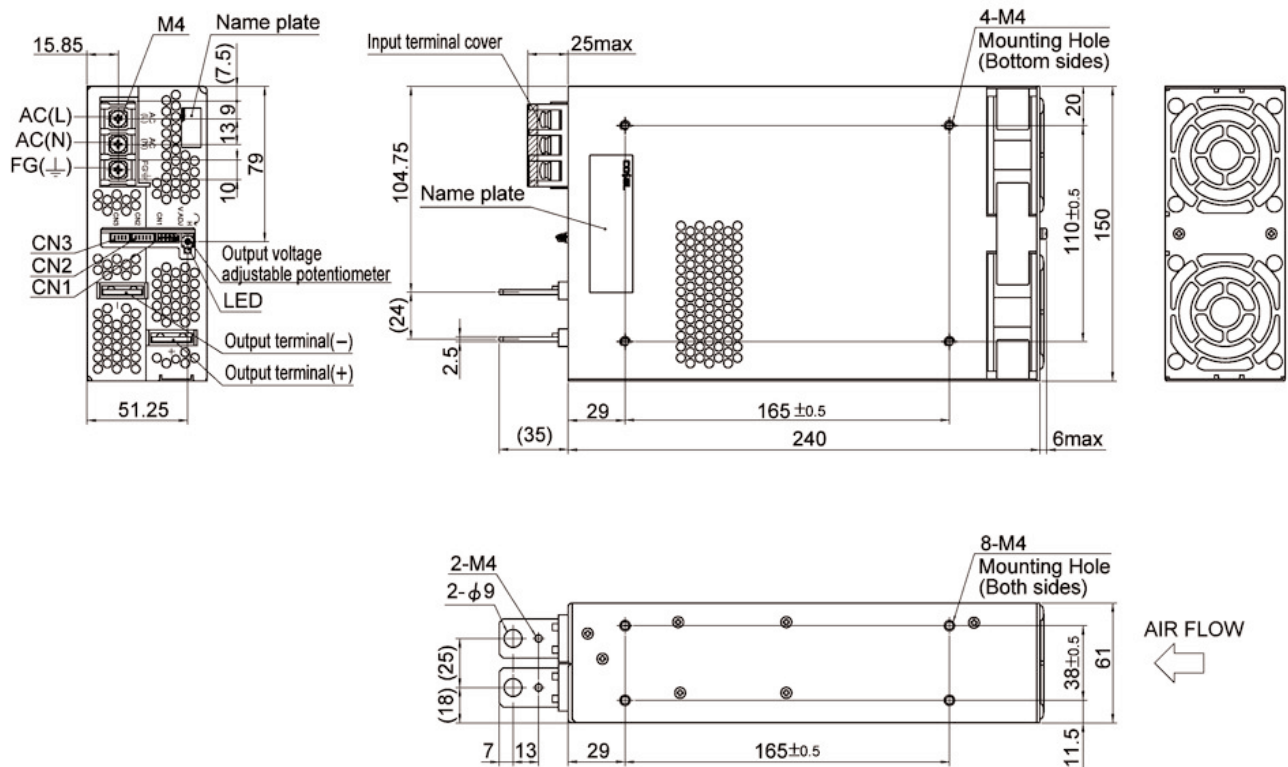
PBB20C Series

AC/DC SINGLE OUTPUT SUPPLY

PBB20C-X 600W



PBB20C-W 1000W



PBB20C Series

AC/DC SINGLE OUTPUT SUPPLY

PBB20C-V 1500W

