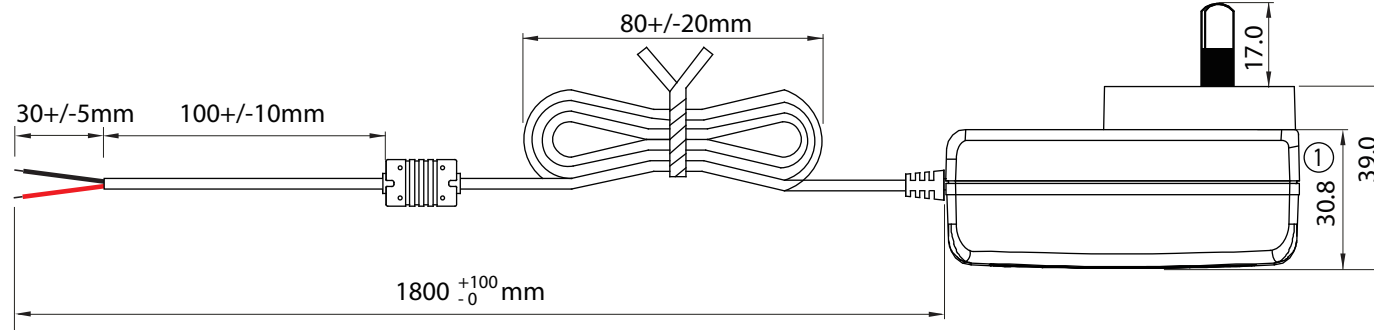
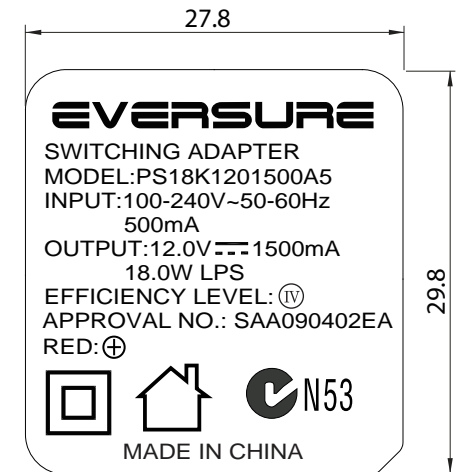
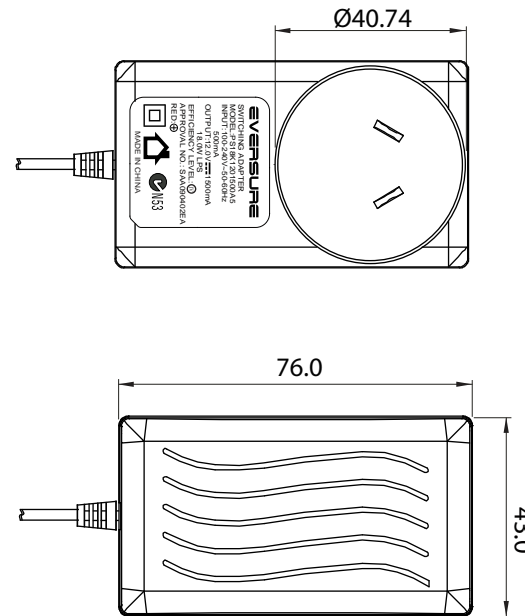
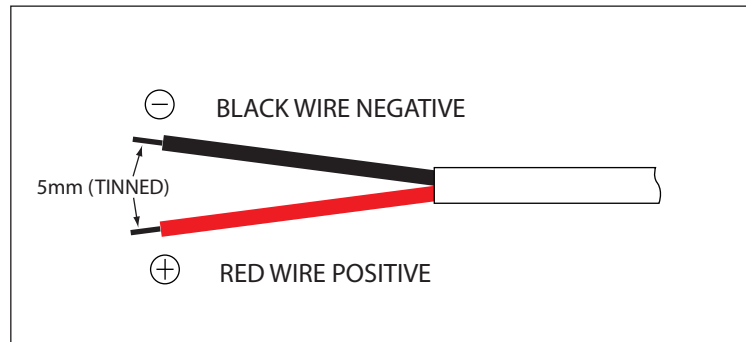


|   | REVISED  | DRAWN             | APPROVED          |
|---|--|-------------------|-------------------|
| ① | CHANGED 22AWG TO 20AWG<br>CHANGED 29.0 TO 30.8MM | JACKY<br>04/09/10 | JACKY<br>04/09/10 |
| ② | ADDED PASSED LABEL ON CARTON                     | JACKY<br>04/07/11 | JACKY<br>04/07/11 |



- NOTES: ①
- DC CORD: 20AWG 1.8M  
AWM 2464 ROUND CABLE  
2 CORE, INTERNAL BLACK AND RED
  - DC CORD & CASE COLOR: BLACK



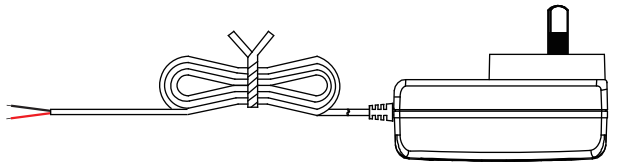
LABEL ARTWORK  
Black words on Silver base label

|  |     |                      |          |                       |                   |              |      |              |   |
|--|-----|----------------------|----------|-----------------------|-------------------|--------------|------|--------------|---|
| TE DRAWING NO: TE30-0097 R2                                      |     |                      |          | PART NO: 12VDC1500/10 |                   |              |      |              |   |
| DESCRIPTION: SWITCHING ADAPTER PS18 SERIES 12VDC 1500mA BARE END |     |                      |          |                       |                   |              |      |              |   |
| SIZE   | A4  | DATE                 | 23/07/10 | CHECKED               | KEVIN<br>23/07/10 | ORDER REF:   | 0000 | SHEET 1 OF 2 | TOLERANCES UNLESS OTHERWISE STATED<br>X: = +/- 1<br>.X: = +/- 0.5<br>.XX: = +/- 0.2 |
| UNIT   | MM  | DRAWN                | FRANK    | APPROVED              | FRANK<br>23/07/10 | CUSTOMER: TE |      |              |   |
| SCALE  | NTS | MANU: PS18K1201500A5 |          |                       | DATE:             |              |      |              |   |



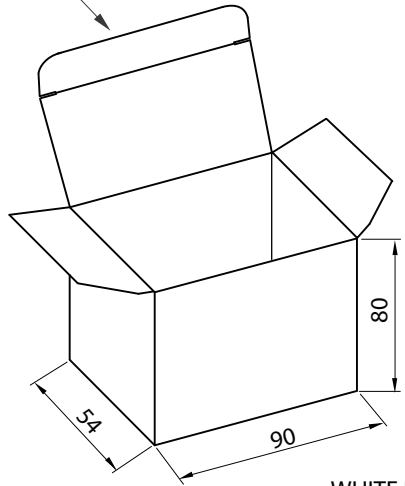
THIS DRAWING AND SPECIFICATIONS ARE THE PROPERTY OF TELEPHONE EQUIPMENT (NSW) Pty Ltd AND SHALL NOT BE REPRODUCED OR USED IN ANY MANNER WITHOUT THE PRIOR WRITTEN CONSENT OF TELEPHONE EQUIPMENT (NSW) Pty Ltd

|   | REVISED  | DRAWN             | APPROVED          |
|---|--|-------------------|-------------------|
| ① | CHANGED 22AWG TO 20AWG<br>CHANGED 29.0 TO 30.8MM | JACKY<br>04/09/10 | JACKY<br>04/09/10 |
| ② | ADDED PASSED LABEL ON CARTON                     | JACKY<br>04/07/11 | JACKY<br>04/07/11 |

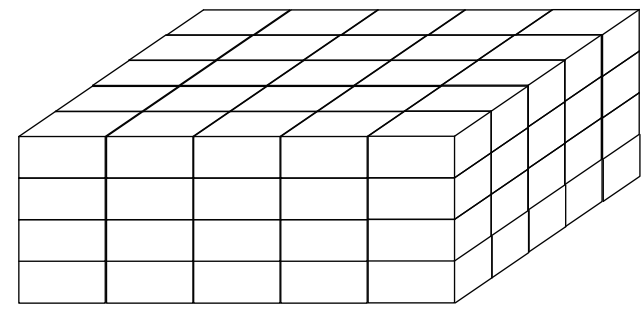


1PC/WHITE BOX

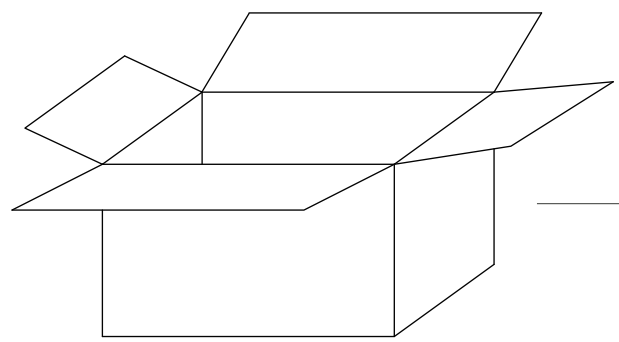
**PART NO.: 12VDC1500/10**  
**SWITCHING SUPPLY 12VDC 1.5A BARE END**  
(BLACK PRINTING ON THE WHITE BOX)



WHITE BOX



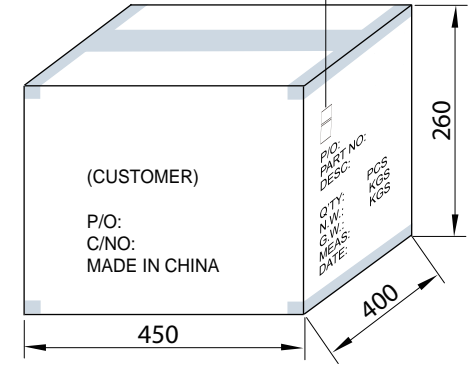
100 WHITE BOXES/CARTON



SHIPPING CARTON  
PLEASE FOLLOW ORDER TO PRINT SHIPPING MARKS.



ONLY ONE RoHS+PASSED LABEL ON CARTON  
RoHS LABEL(55X25MM)  
GREEN GROUNDING YELLOW TEXT  
PASSED LABEL(55X36MM)  
BLUE GROUNDING WHITE TEXT  
WHITE GROUNDING BLUE TEXT



|  |     |                      |          |          |                       |       |              |      |              |  |
|--|-----|----------------------|----------|----------|-----------------------|-------|--------------|------|--------------|--|
| TE DRAWING NO: TE30-0097 R2                                      |     |                      |          |          | PART NO: 12VDC1500/10 |       |              |      |              |  |
| DESCRIPTION: SWITCHING ADAPTER PS18 SERIES 12VDC 1500mA BARE END |     |                      |          |          |                       |       |              |      |              |  |
| SIZE   | A4  | DATE                 | 23/07/10 | CHECKED  | KEVIN<br>23/07/10     |       | ORDER REF:   | 0000 | SHEET 2 OF 2 | TOLERANCES UNLESS OTHERWISE STATED<br>X: = +/-1<br>.X: = +/-0.5<br>.XX: = +/-0.2 |
| UNIT   | MM  | DRAWN                | FRANK    | APPROVED | FRANK<br>23/07/10     |       | CUSTOMER: TE |      |              |  |
| SCALE  | NTS | MANU: PS18K1201500A5 |          |          |                       | DATE: |              |      |              |  |



THIS DRAWING AND SPECIFICATIONS ARE THE PROPERTY OF TELEPHONE EQUIPMENT (NSW) Pty Ltd AND SHALL NOT BE REPRODUCED OR USED IN ANY MANNER WITHOUT THE PRIOR WRITTEN CONSENT OF TELEPHONE EQUIPMENT (NSW) Pty Ltd