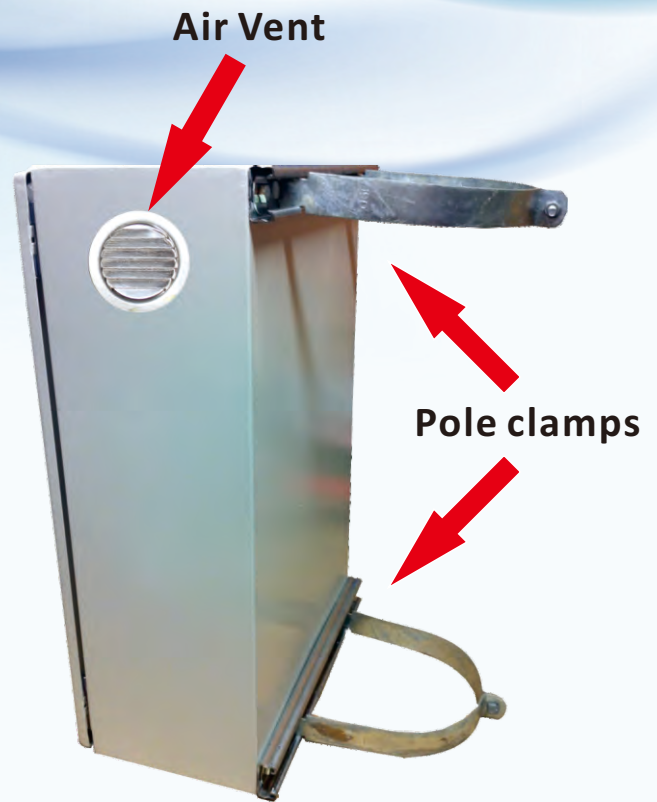


# Compact Enclosures

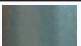



## Features

- Multi-folded periphery to ensure a reliable seal
- IP66 or IP55 Rated
- Welded frame for structural strength
- Polyurethane gasket around entire door
- Door can be hinged on left or right
- Door opens 110 degrees with standard hinge
- Adjustable mounting plate
- Sealed gland plate
- Supplied with mounting holes on rear
- Optional key locks/pole clamps/air vents



## Material and Finishing

Item	Material & Size	Finish	Colour
Mounting Plate	2.5mm SPCC cold rolled steel	Aluminized zinc	Zinc 
Door and Body	1.5mm SPCC cold rolled steel	Powder coated	RAL7035 

## Protection and Size

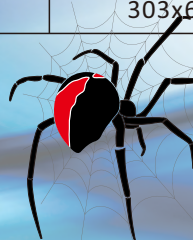
Complies with IEC60529 and EN60529/10.91

Model	Width (mm)	Depth (mm)	Height (mm)	Gland Plate Size(mm)	IP	Lock(s)	Packing(mm)
GB.1033	300	210	300	233x45	IP66	1	330x240x330
GB.1034	300	210	400	233x45	IP66	1	330x240x430
GB.1038	380	210	600	303x63	IP55	2	410x240x630
GB.2025	200	120	250	133x43	IP66	1	230x150x280
GB.2530	250	200	300	133x43	IP66	1	280x230x330
GB.6080	600	210	800	303x63	IP55	2	630x240x830

Specifications are subject to change without prior notice.



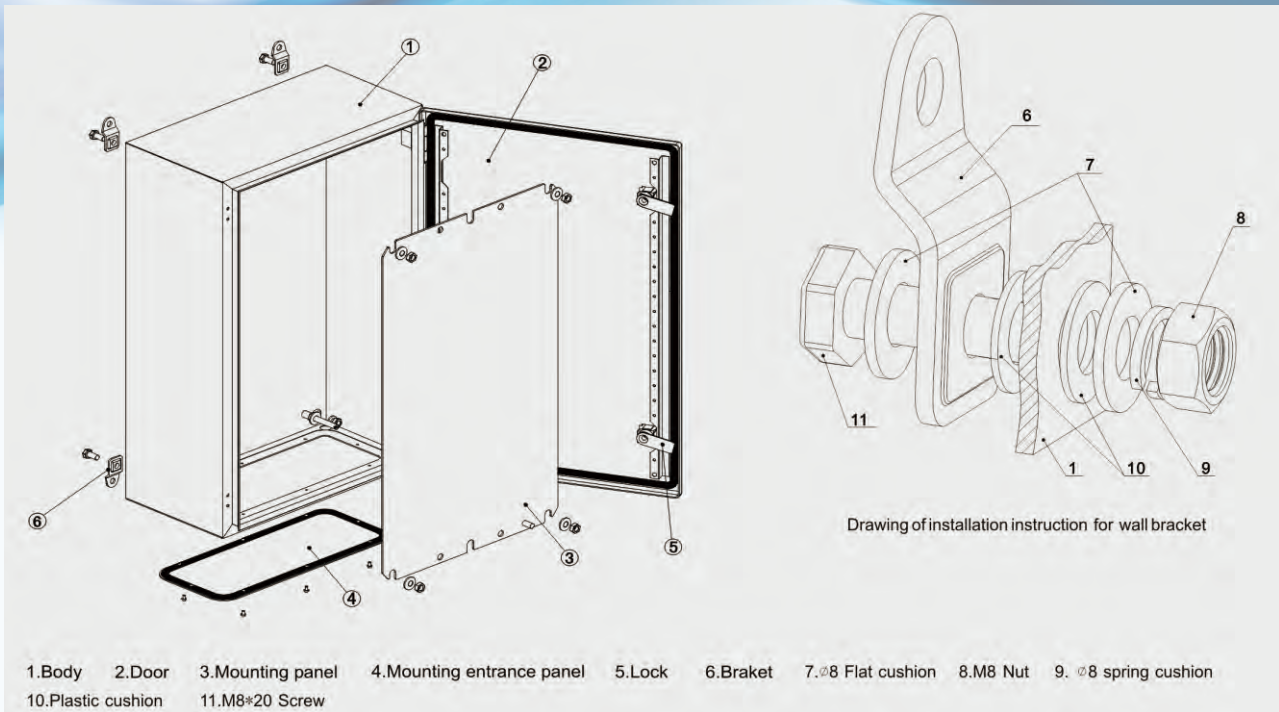
Power Systems Solutions



**REDBACK  
RACKS**

# Compact Enclosures

## Main Structure



## Cabinet Dimensions

