

Open Frames

42RU

Features

All REDBACK RACKS are designed to be easier to use and quicker to install:

- Modular design, easily assembled and disassembled to ensure low delivery costs
- Various optional accessories which include:
 - Cable management systems
 - Compatible shelf SA.0160
 - Blanking plates
 - Power distribution units

Reliability and quality is paramount for REDBACK RACKS, rest assured all items have:

- Powder coated finish
- IP20 rating
- Can take up to 150kgs on leveling feet



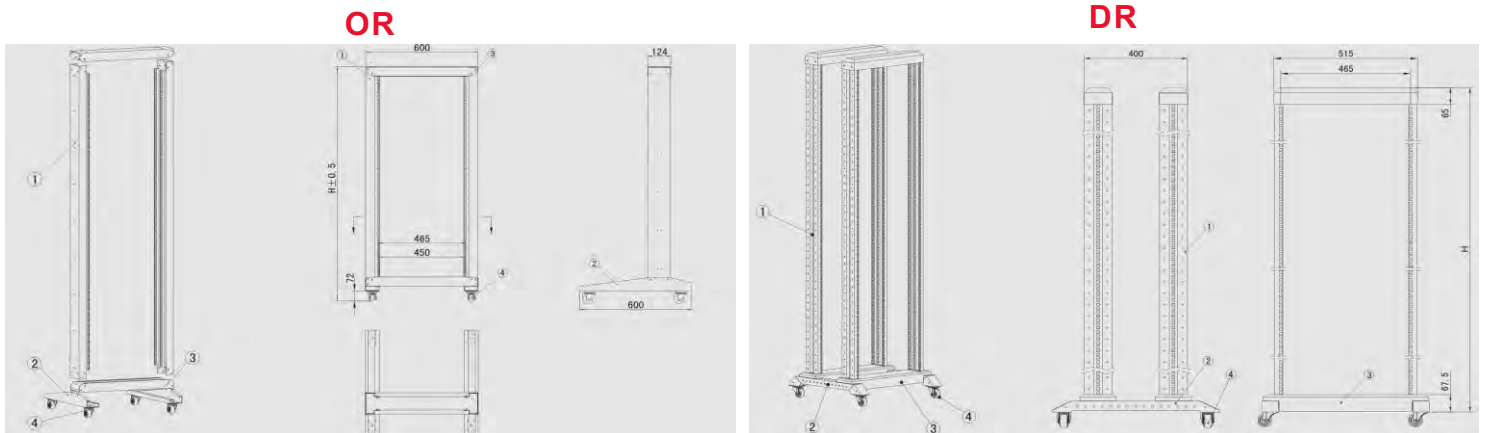
OR

DR

Standards

- Complies with ANSI/EIA RS-310-D
- DIN41497 part 1
- IEC297-2, DIN41494 part 7 standard

Structure



1. Upright 2. Stand 3. Horizontal beam 4. Heavy duty castor

Specifications

Model	Capacity	Width (mm)	Depth (mm)	Height (mm)	Weight (kg)	Cage Nuts (sets)
OR.6642	42RU	600	100	1935	25	10
DR.6642	42RU		600	2020	29	10

Specifications are subject to change without prior notice.