

# 19" Vertical Wall Mounted Racks



**VM.6606**

## Features

- Maximum mountable depth 450mm
- Space saving
- Secure 6RU rack
- Advanced cooling (option)
- Adjustable mounting rails
- Cable entry rear, top and bottom
- Earth stud
- 10 x cage nuts
- Includes 2 x L rails

## Standards

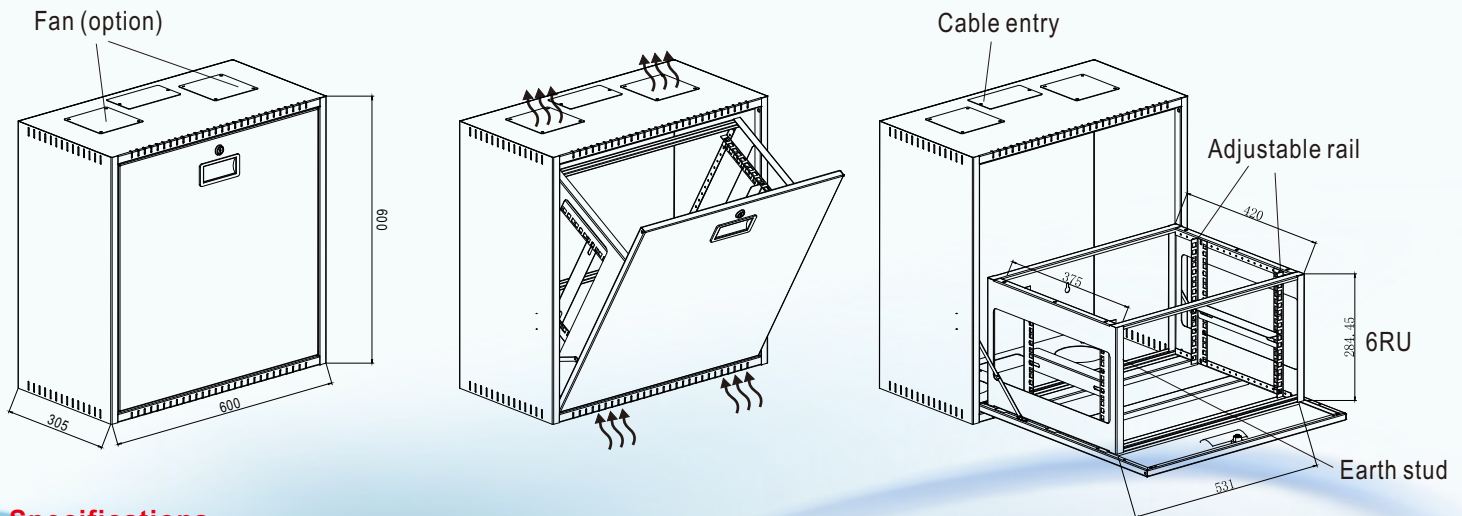
Complies with ANSI/EIA RS-310-D, DIN41497 part 1, IEC297-2, DIN41494 part 7

**Loading capacity - 40KG**

**Degree of protection - IP20**

**Surface finish - Powder coated**

## Main Structure



## Specifications

Model	Capacity	Width (mm)	Depth (mm)	Height (mm)	Weight (kg)	Cage Nuts (sets)
VM.6606	6RU	600	305	600	18	10

Specifications are subject to change without prior notice.



Power Systems Solutions

