

# 19" Single Section Wall Mounted Racks



## Features

- Lockable tempered glass front door
- Sturdy welded internal frame structure
- Pre-fitted fixed metal shelves included
- Removable side panels
- Cable knockouts on rear panel
- Multiple earthing points with leads fitted
- Spare cage nuts included

## Standards

Complies with ANSI/EIA RS-310-D,  
DIN41497 part 1, IEC297-2, DIN41494 part 7

## Loading capacity

60KG

## Degree of protection

IP20

## Surface finish

Powder coated

## Specifications

Model	Capacity	Width (mm)	Depth (mm)	Height (mm)	Weight (kg)	Shelves (pcs)	Cage Nuts (sets)
WM.6406	6RU	600	450	370	15.1	1	10
WM.6409	9RU			500	18.7	1	10
WM.6412	12RU			637	22	2	10
WM.6418	18RU			903	28	2	20

Specifications are subject to change without prior notice.



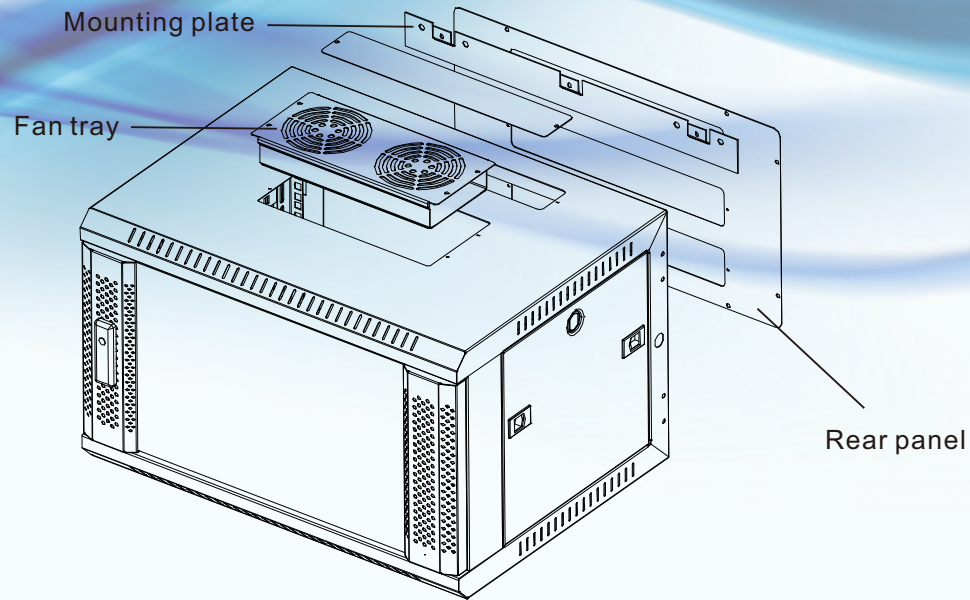
Power Systems Solutions



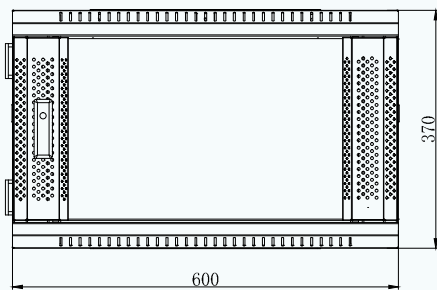
**REDBACK  
RACKS**

# 19" Single Section Wall Mounted Racks

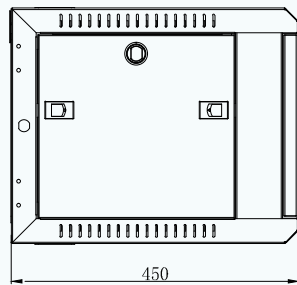
## Main Structure



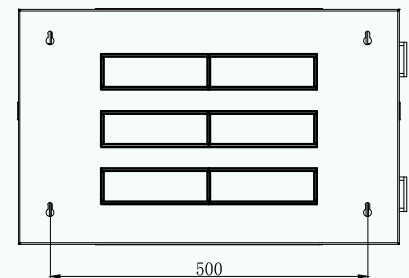
## Cabinet Dimensions



Front



Side



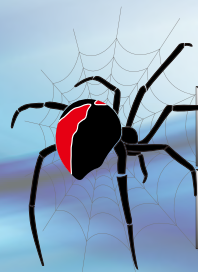
Rear

## Contents Included

- 1 x Redback rack
- 1 x rear panel
- 1 x mounting plate
- 20 x cage nuts



Power Systems Solutions



**REDBACK  
RACKS**